

Single Card Socket

101-00234-**

SD Conn., Manual, Short body

Push in-Pull out Type

MATERIAL

HSG : HIGH TEMPERATURE THERMOPLASTIC
 CONTACT : COPPER ALLOY
 SHELL : COPPER ALLOY

RATING

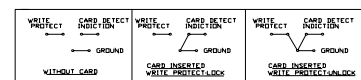
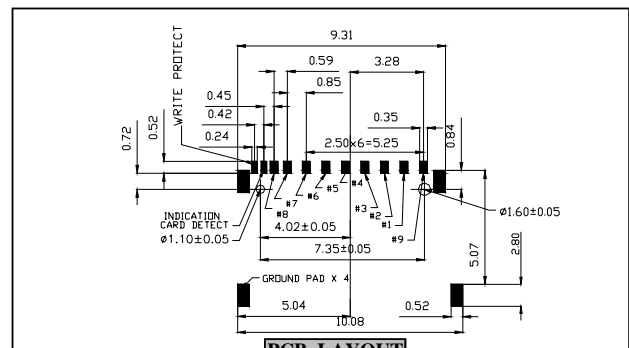
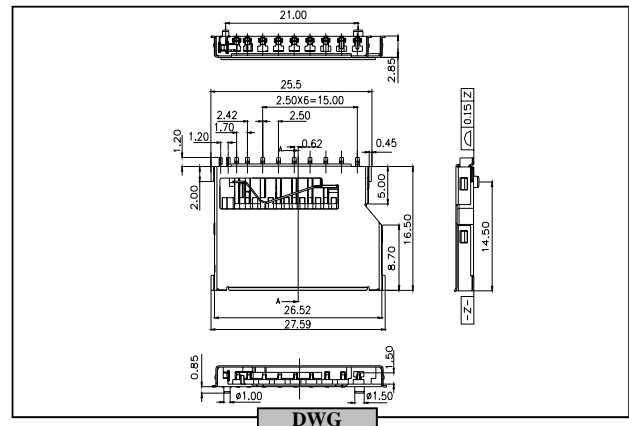
CURRENT RATING : 1 Amp.
 RATED VOLTAGE : 100 VAC

ELECTRICAL

CONTACT RESISTANCE : 100 mΩ Max.
 INSULATION RESISTANCE : 1000 MΩ Max.
 DIELECTRIC WITHSTANDING VOLTAGE : 500 VAC/RMS

OPERATING TEMPERATURE

-20°C ~ +60°C



101-00042-**

MS Conn, Reverse Type

Push in-Pull out



MATERIAL

HSG : HIGH TEMPERATURE THERMOPLASTIC
 CONTACT : COPPER ALLOY
 SHELL : COPPER ALLOY

RATING

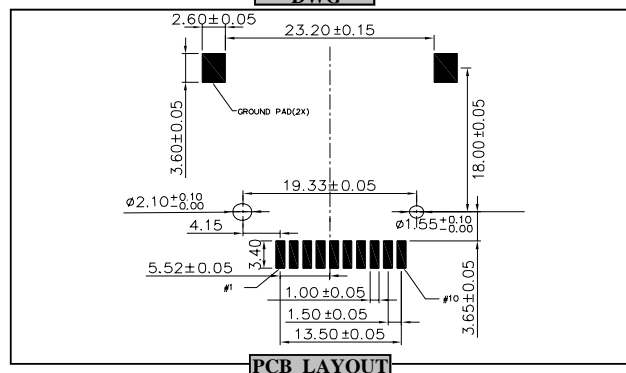
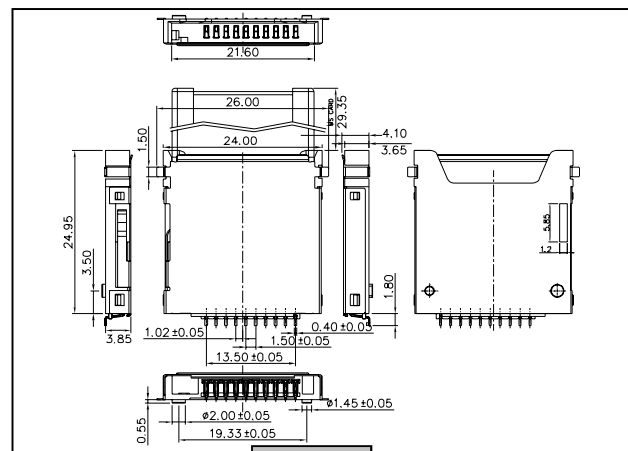
CURRENT RATING : 1 Amp.
 RATED VOLTAGE : 100 V AC

ELECTRICAL

CONTACT RESISTANCE : 100 mΩ Max.
 INSULATION RESISTANCE : 1000 MΩ Max.
 DIELECTRIC WITHSTANDING VOLTAGE : 500 VAC/RMS

OPERATING TEMPERATURE

-20°C ~ +60°C



Single Card Socket

101-00002-**

SIM+ XD Conn P-P Combo Connector

**SIM : Push in -Pull out
XD: Push in - Push out**



MATERIAL

HSG : HIGH TEMPERATURE THERMOPLASTIC
CONTACT : COPPER ALLOY
SHELL : COPPER ALLOY

RATING

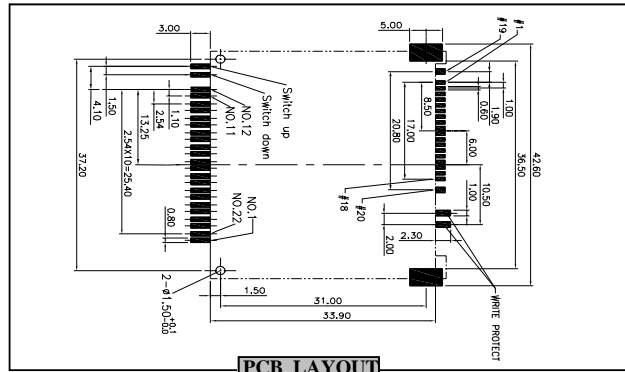
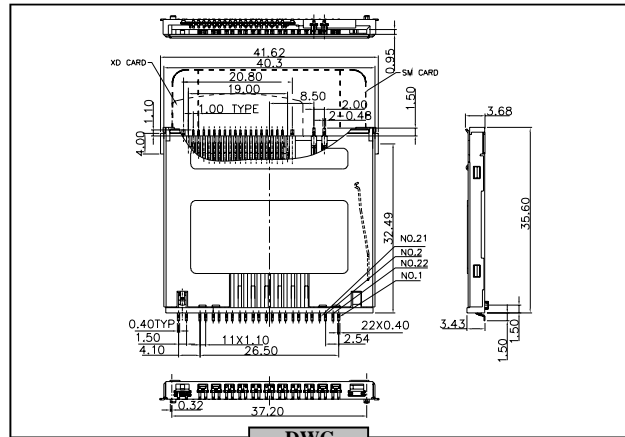
CURRENT RATING : 1 Amp
RATED VOLTAGE : 100 VAC

ELECTRICAL

CONTACT RESISTANCE : 40 mΩ Max.
INSULATION RESISTANCE : 1000 MΩ Max.
DIELECTRIC WITHSTANDING VOLTAGE : 250 VAC/RMS

OPERATING TEMPERATURE

-20°C ~ +65°C



101-00158-**

XD Connector, Manual Type

Push in -Pull out



MATERIAL

HSG : HIGH TEMPERATURE THERMOPLASTIC
CONTACT : COPPER ALLOY
SHELL : COPPER ALLOY

RATING

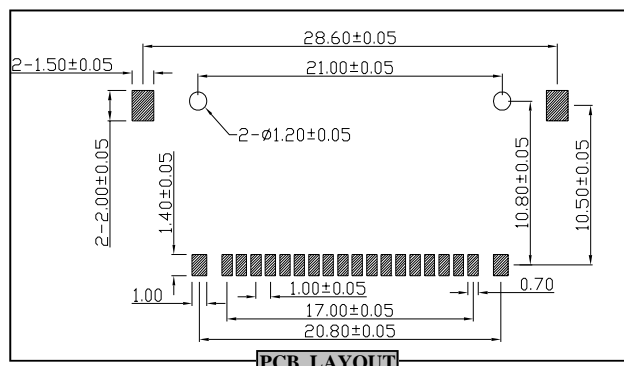
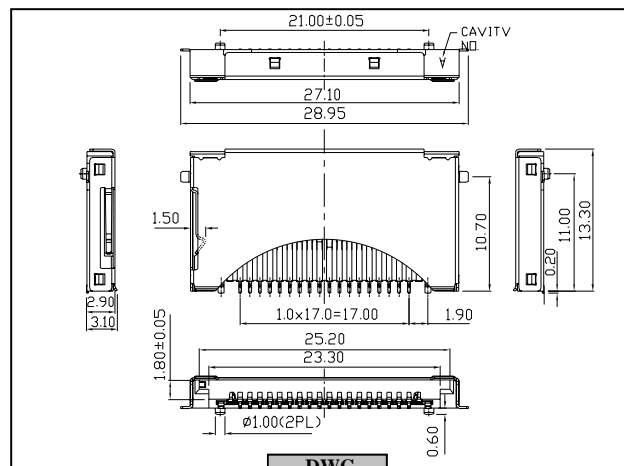
CURRENT RATING : 1 Amp
RATED VOLTAGE : 100 VAC

ELECTRICAL

CONTACT RESISTANCE : 40 mΩ Max.
INSULATION RESISTANCE : 1000 MΩ Max.
DIELECTRIC WITHSTANDING VOLTAGE : 250 VAC/RMS

OPERATING TEMPERATURE

-20°C ~ +65°C



Single Card Socket

101-00205-**

CF Conn., Standard Stand-off = 1.4mm

Reverse Type



MATERIAL

HSG : HIGH TEMPERATURE THERMOPLASTIC
 CONTACT : COPPER ALLOY
 SHELL : COPPER ALLOY

RATING

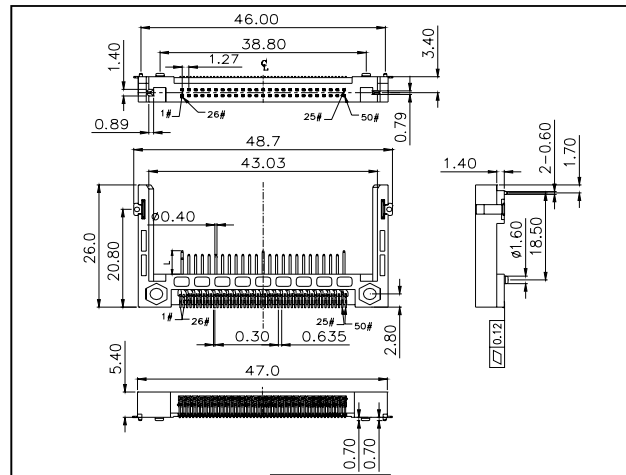
CURRENT RATING : 1 A mp
 RATED VOLTAGE : 100 VAC

ELECTRICAL

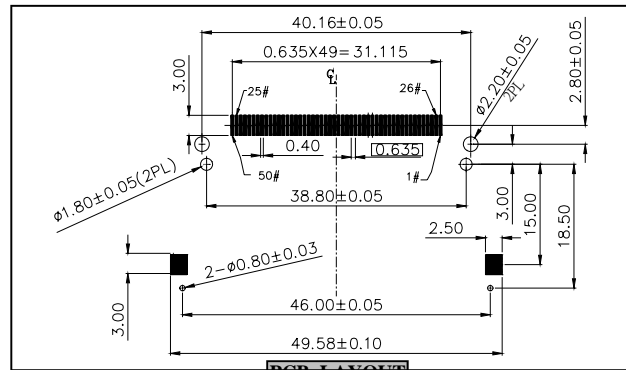
CONTACT RESISTANCE : 100 mΩ Max.
 INSULATION RESISTANCE : 1000 MΩ Max.
 DIELECTRIC WITHSTANDING VOLTAGE : 500 VAC/RMS

OPERATING TEMPERATURE

-20°C ~ +60°C



DWG



PCB LAYOUT

101-00178-**

CF Conn., Ultra short

Normal Type



MATERIAL

HSG : HIGH TEMPERATURE THERMOPLASTIC
 CONTACT : COPPER ALLOY
 SHELL : COPPER ALLOY

RATING

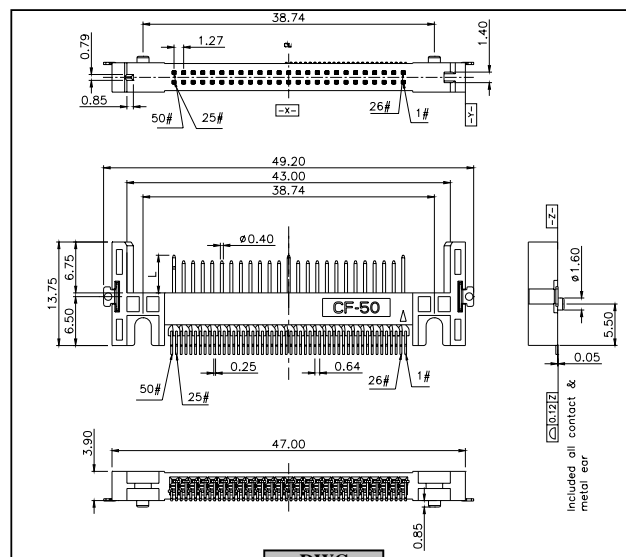
CURRENT RATING : 1 Amp
 RATED VOLTAGE : 100 VAC

ELECTRICAL

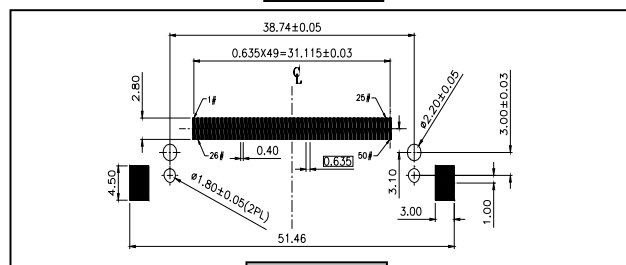
CONTACT RESISTANCE : 100 mΩ Max.
 INSULATION RESISTANCE : 1000 MΩ Max.
 DIELECTRIC WITHSTANDING VOLTAGE : 500 VAC/RMS

OPERATING TEMPERATURE

-20°C ~ +60°C



DWG



PCB LAYOUT

Single Card Socket

101-00140-**

CF, W/Shell, Stand-off=1.4mm

Reverse Type



MATERIAL

HSG : HIGH TEMPERATURE THERMOPLASTIC
 CONTACT : COPPER ALLOY
 SHELL : COPPER ALLOY

RATING

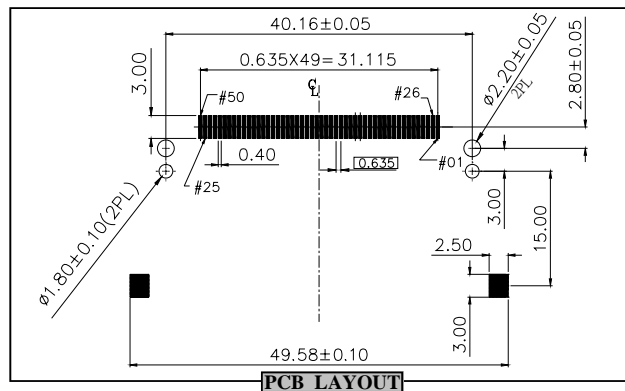
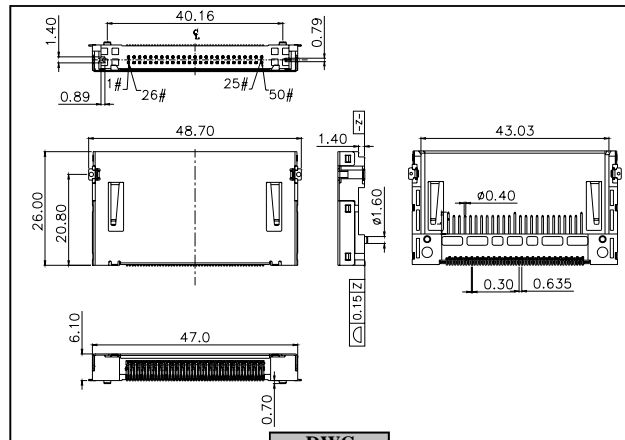
CURRENT RATING : 1 A AC/DC Max
 RATED VOLTAGE : 100 VAC

ELECTRICAL

CONTACT RESISTANCE : 40 mΩ Max.
 INSULATION RESISTANCE : 1000 MΩ Max.
 DIELECTRIC WITHSTANDING VOLTAGE : 500 VAC/RMS

OPERATING TEMPERATURE

-20°C ~ +60°C



101-00265-**

CF, W/Shell

Reverse Type



MATERIAL

HSG : HIGH TEMPERATURE THERMOPLASTIC
 CONTACT : COPPER ALLOY
 SHELL : COPPER ALLOY

RATING

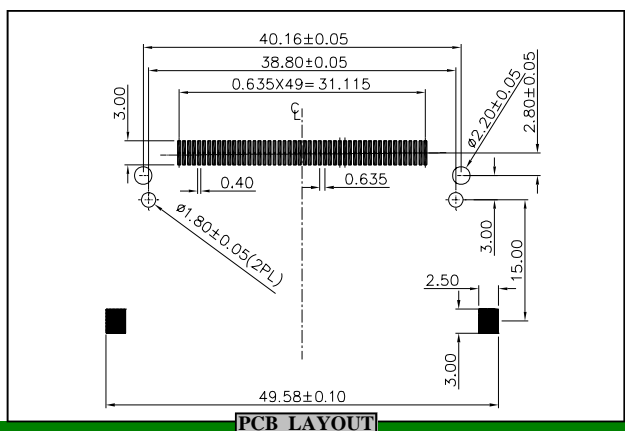
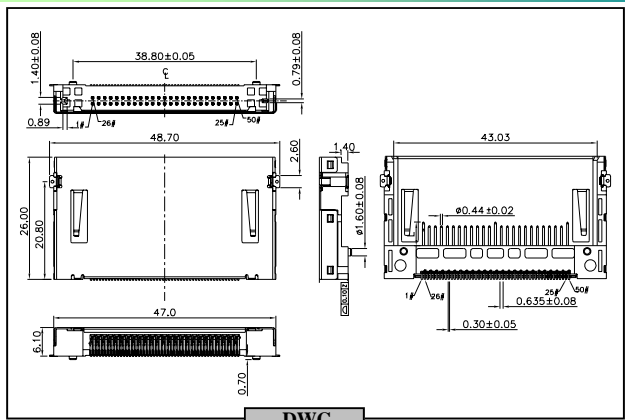
CURRENT RATING : 1 A AC/DC Max
 RATED VOLTAGE : 100 VAC

ELECTRICAL

CONTACT RESISTANCE : 40 mΩ Max.
 INSULATION RESISTANCE : 1000 MΩ Max.
 DIELECTRIC WITHSTANDING VOLTAGE : 500 VAC/RMS

OPERATING TEMPERATURE

-20°C ~ +60°C



Combo Card Socket

101-00578-**

3-in-1 Combo, Bottom mount



MATERIAL

HSG : HIGH TEMPERATURE THERMOPLASTIC
 CONTACT : COPPER ALLOY
 SHELL : COPPER ALLOY

RATING

CURRENT RATING : 0.5 A mp
 RATED VOLTAGE : 500 VAC

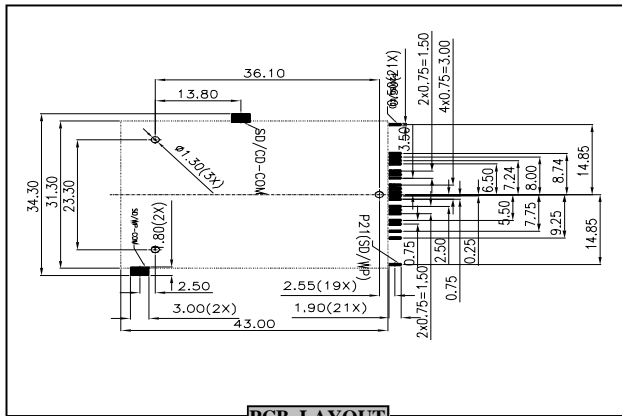
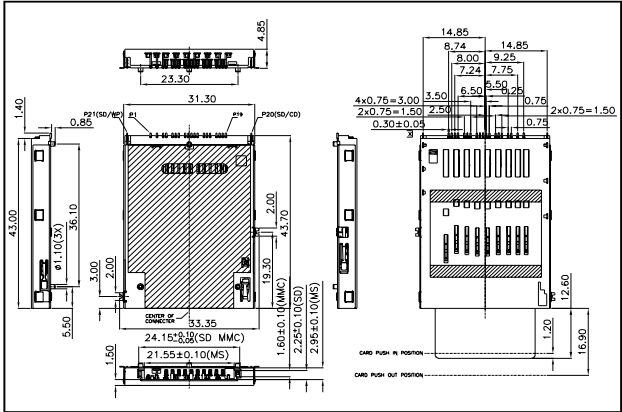
ELECTRICAL

CONTACT RESISTANCE : 100 mΩ Max.
 INSULATION RESISTANCE : 1000 MΩ Max.
 DIELECTRIC WITHSTANDING VOLTAGE : 500 VAC/RMS

OPERATING TEMPERATURE

-20°C ~ +60°C

Push in- Push out



PCB LAYOUT

101-00402-**

3-in-1 Combo, Top mount



MATERIAL

HSG : HIGH TEMPERATURE THERMOPLASTIC
 CONTACT : COPPER ALLOY
 SHELL : COPPER ALLOY

RATING

CURRENT RATING : 0.5 Amp
 RATED VOLTAGE : 250 VAC

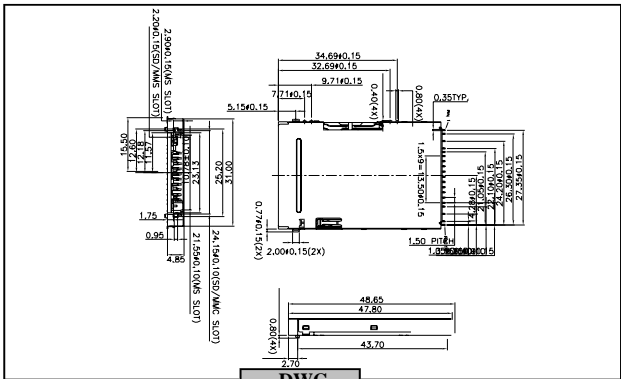
ELECTRICAL

CONTACT RESISTANCE : 100 mΩ Max.
 INSULATION RESISTANCE : 1000 MΩ Max.
 DIELECTRIC WITHSTANDING VOLTAGE : 500 VAC/RMS

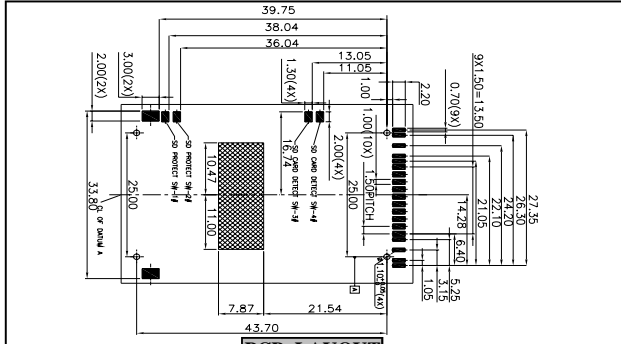
OPERATING TEMPERATURE

-20°C ~ +60°C

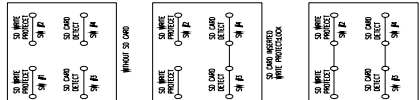
Push in- Push out



DWG



PCB LAYOUT



Combo Card Socket

101-00413-**

4-in-1 Combo, Reverse, PCB Type

Push in- Push out



MATERIAL

HSG : HIGH TEMPERATURE THERMOPLASTIC
 CONTACT : COPPER ALLOY
 SHELL : COPPER ALLOY

RATING

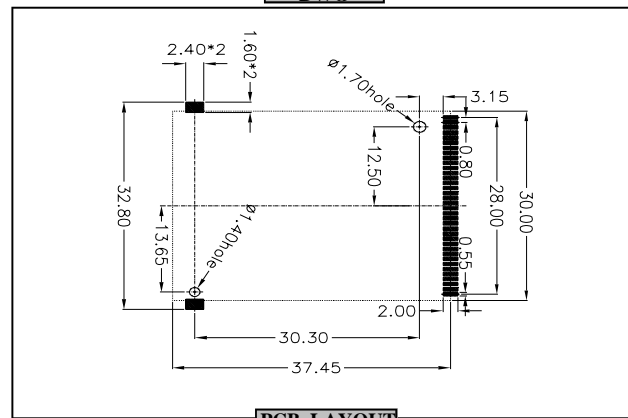
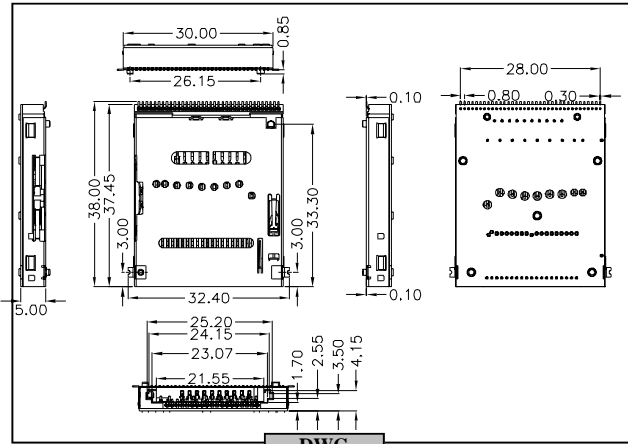
CURRENT RATING : 0.5 A mp
 RATED VOLTAGE : 250 VAC

ELECTRICAL

CONTACT RESISTANCE : 100 mΩ Max.
 INSULATION RESISTANCE : 1000 MΩ Max.
 DIELECTRIC WITHSTANDING VOLTAGE : 500 VAC/RMS

OPERATING TEMPERATURE

-20°C ~ + 60°C



101-00414- / 101-00415-****

4-in-1 Combo, Top mount, PCB Type

Push in- Push out



MATERIAL

HSG : HIGH TEMPERATURE THERMOPLASTIC
 CONTACT : COPPER ALLOY
 SHELL : COPPER ALLOY

RATING

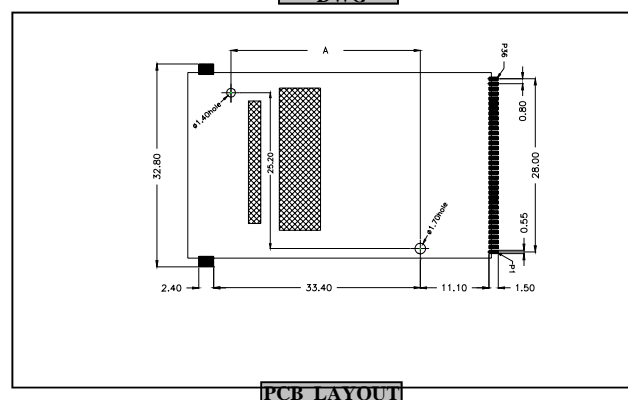
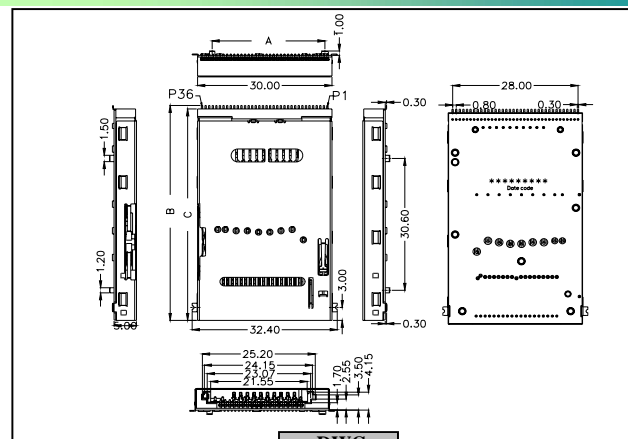
CURRENT RATING : 0.5 A mp
 RATED VOLTAGE : 250 VAC

ELECTRICAL

CONTACT RESISTANCE : 100 mΩ Max.
 INSULATION RESISTANCE : 1000 MΩ Max.
 DIELECTRIC WITHSTANDING VOLTAGE : 500 VAC/RMS

OPERATING TEMPERATURE

-20°C ~ + 60°C



Combo Card Socket

101-00396-**

SD 6-in-1 Combo, Reverse Type

Push in-Pull out

MATERIAL

HSG : HIGH TEMPERATURE THERMOPLASTIC
CONTACT : COPPER ALLOY
SHELL : COPPER ALLOY

RATING

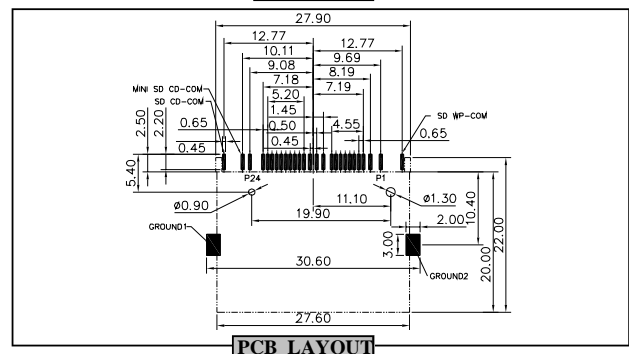
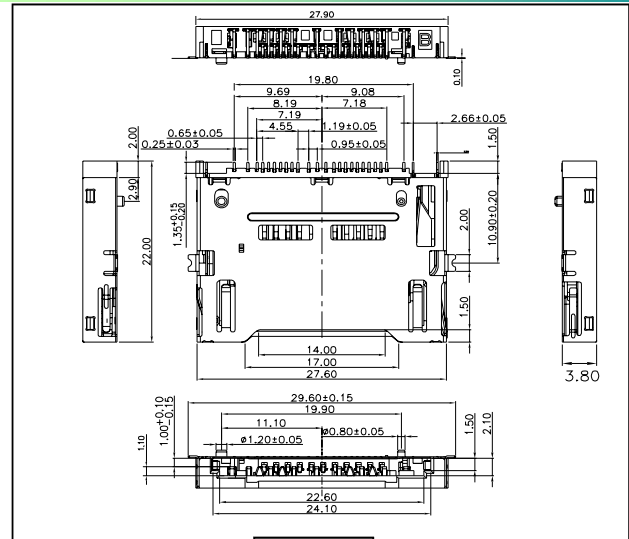
CURRENT RATING : 0.5 Amp
RATED VOLTAGE : 250 VAC

ELECTRICAL

CONTACT RESISTANCE : 100 mΩ Max.
INSULATION RESISTANCE : 1000 MΩ Max.
DIELECTRIC WITHSTANDING VOLTAGE : 500 VAC/RMS

OPERATING TEMPERATURE

-20°C ~ +60°C



101-00395-**

SD 6-in-1 Combo, Top mount Type

Push in-Pull out



MATERIAL

HSG : HIGH TEMPERATURE THERMOPLASTIC
CONTACT : COPPER ALLOY
SHELL : COPPER ALLOY

RATING

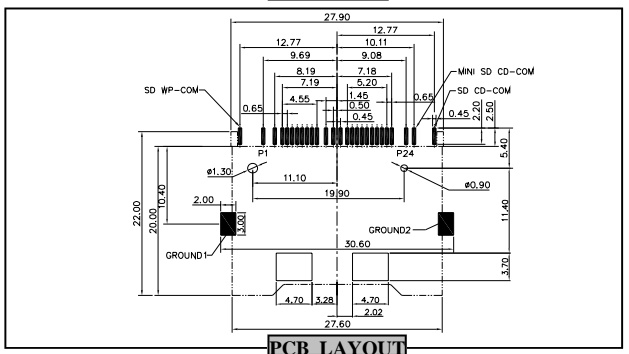
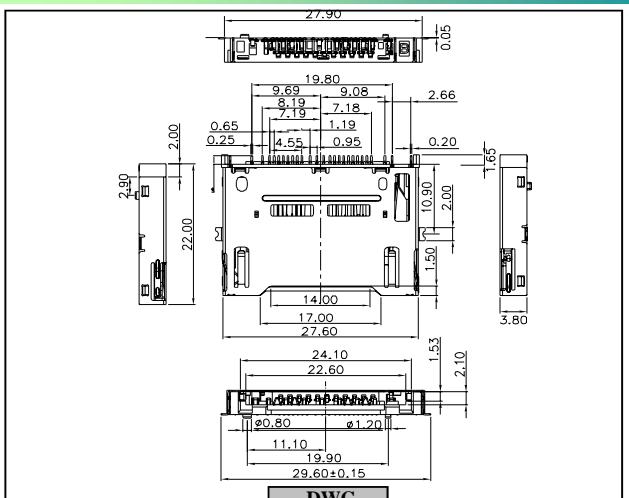
CURRENT RATING : 0.5 Amp
RATED VOLTAGE : 250 VAC

ELECTRICAL

CONTACT RESISTANCE : 100 mΩ Max.
INSULATION RESISTANCE : 1000 MΩ Max.
DIELECTRIC WITHSTANDING VOLTAGE : 500 VAC/RMS

OPERATING TEMPERATURE

-20°C ~ +60°C

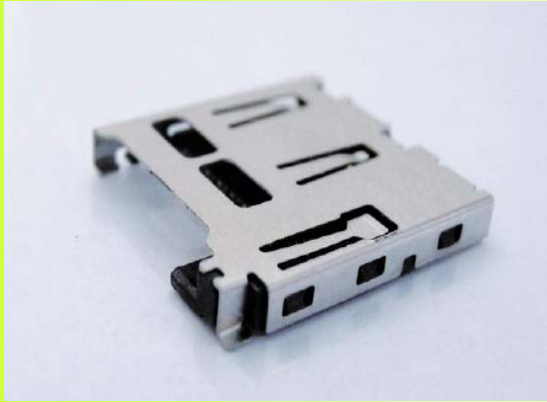


Miniature Card Socket

101-00139-**

Micro SD P-P, W/O C/D Function Conn.

Push in- Push out



MATERIAL

HSG : HIGH TEMPERATURE THERMOPLASTIC
 CONTACT : COPPER ALLOY
 SHELL : STAINLESS STEEL

RATING

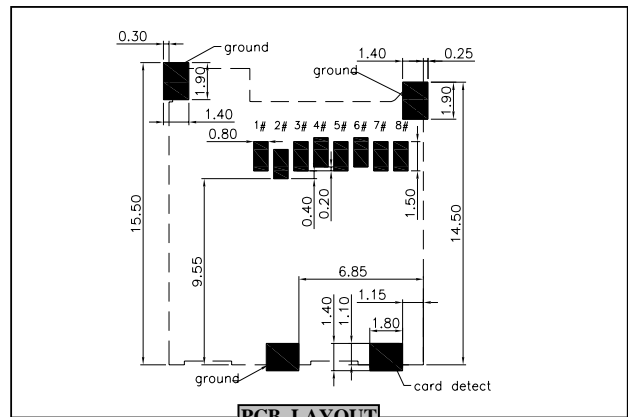
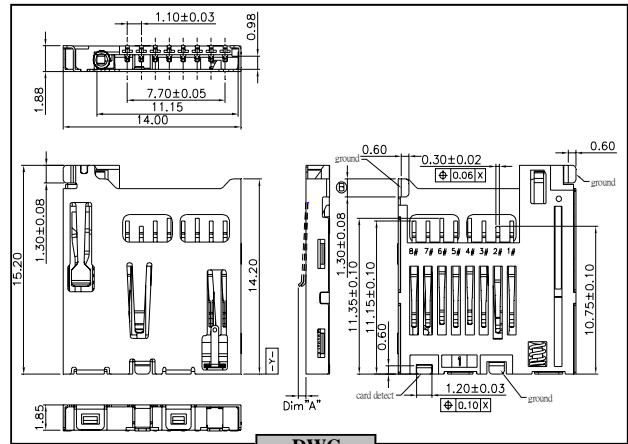
CURRENT RATING : 0.5 Amp
 RATED VOLTAGE : 250 VAC

ELECTRICAL

CONTACT RESISTANCE : 100 mΩ Max.
 INSULATION RESISTANCE : 1000 MΩ Max.
 DIELECTRIC WITHSTANDING VOLTAGE : 500 VAC/RMS

OPERATING TEMPERATURE

-25°C ~ + 85°C



101-00236-**

Micro-SD P/P CARD Conn.

Push in- Push out



MATERIAL

HSG : HIGH TEMPERATURE THERMOPLASTIC
 CONTACT : COPPER ALLOY
 SHELL : STAINLESS STEEL

RATING

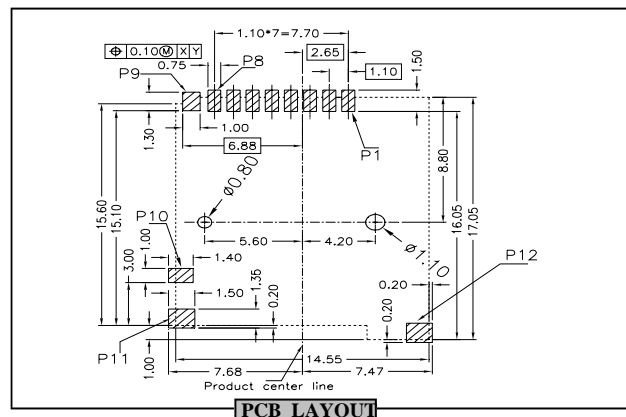
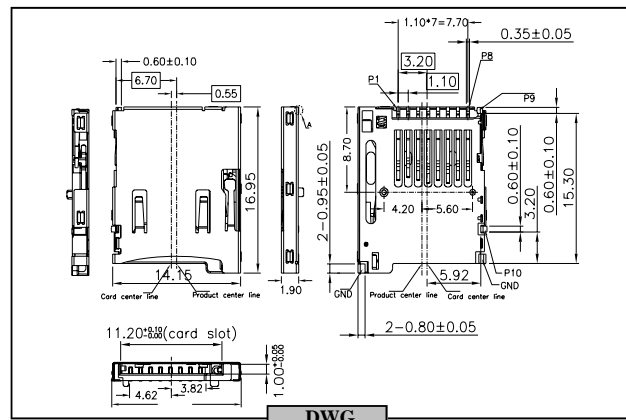
CURRENT RATING : 0.5 Amp
 RATED VOLTAGE : 250 VAC

ELECTRICAL

CONTACT RESISTANCE : 100 mΩ Max.
 INSULATION RESISTANCE : 1000 MΩ Max.
 DIELECTRIC WITHSTANDING VOLTAGE : 500 VAC/RMS

OPERATING TEMPERATURE

-25°C ~ + 85°C



Miniature Card Socket

101-00240-**

Micro-SD P/P ,W C/D Function



MATERIAL

HSG : HIGH TEMPERATURE THERMOPLASTIC
CONTACT : COPPER ALLOY
SHELL : STAINLESS STEEL

RATING

CURRENT RATING : 0.5 Amp
RATED VOLTAGE : 250 VAC

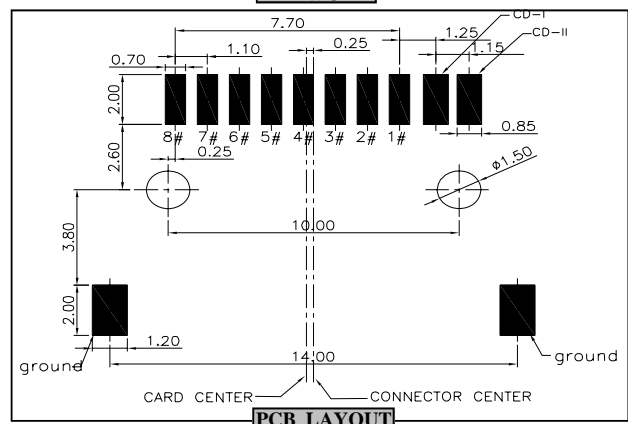
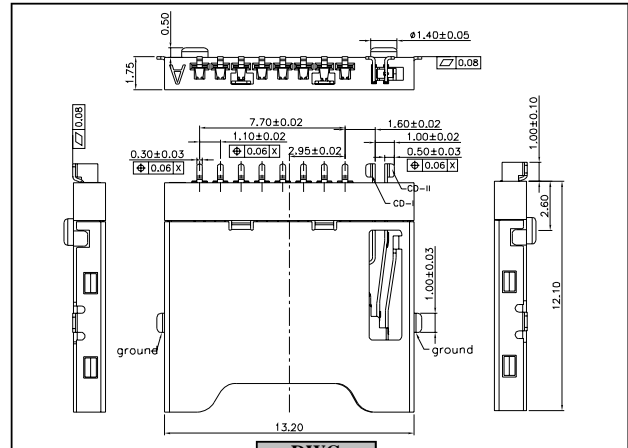
ELECTRICAL

CONTACT RESISTANCE : 100 mΩ Max.
INSULATION RESISTANCE : 1000 MΩ Max.
DIELECTRIC WITHSTANDING VOLTAGE : 500 VAC/RMS

OPERATING TEMPERATURE

-25°C ~ +85°C

Push in-Pull out



101-00303-**

Micro-SD CARD, Hinge Type



MATERIAL

HSG : HIGH TEMPERATURE THERMOPLASTIC
CONTACT : COPPER ALLOY
SHELL : COPPER ALLOY

RATING

CURRENT RATING : 0.5 A mp
RATED VOLTAGE : 250 VAC

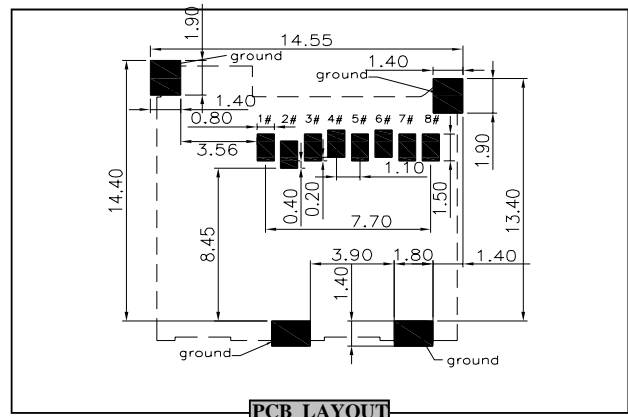
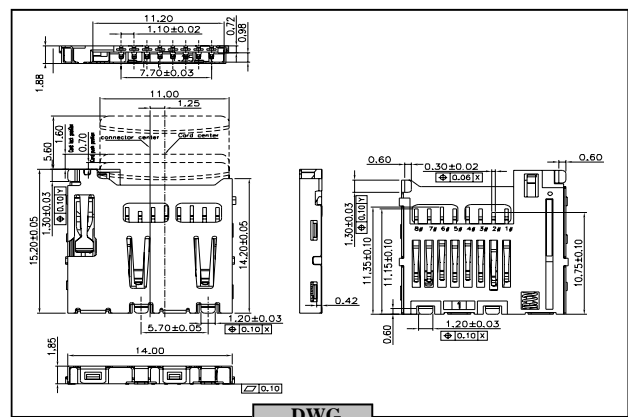
ELECTRICAL

CONTACT RESISTANCE : 100 mΩ Max.
INSULATION RESISTANCE : 1000 MΩ Max.
DIELECTRIC WITHSTANDING VOLTAGE : 500 VAC/RMS

OPERATING TEMPERATURE

-20°C ~ +60°C

Push in- Push out



Miniature Card Socket

101-00347-**

SIM + micro-SD P-P Combo, w / logo

**SIM : Push in -Pull out
microSD: Push in - Push out**

MATERIAL

HSG : HIGH TEMPERATURE THERMOPLASTIC
CONTACT : COPPER ALLOY
SHELL : COPPER ALLOY

RATING

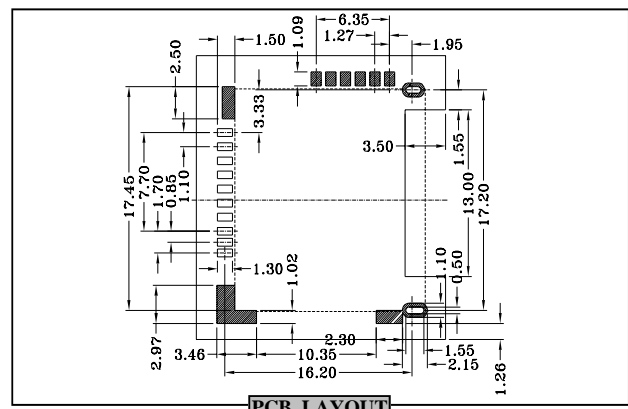
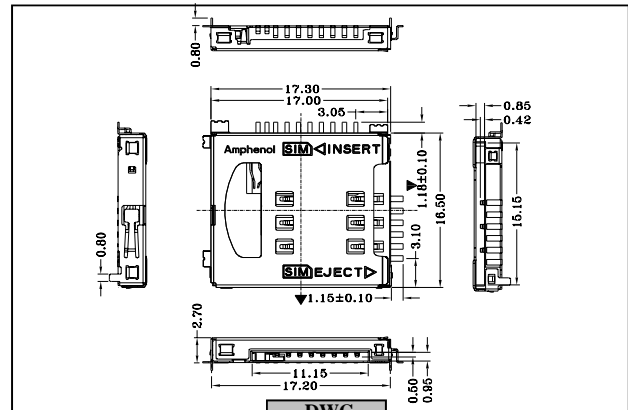
CURRENT RATING : 0.5 A AC/DC Max
RATED VOLTAGE : 100 VAC

ELECTRICAL

CONTACT RESISTANCE : 100 mΩ Max.
INSULATION RESISTANCE : 1000 MΩ Max.
DIELECTRIC WITHSTANDING VOLTAGE : 500 VAC/RMS

OPERATING TEMPERATURE

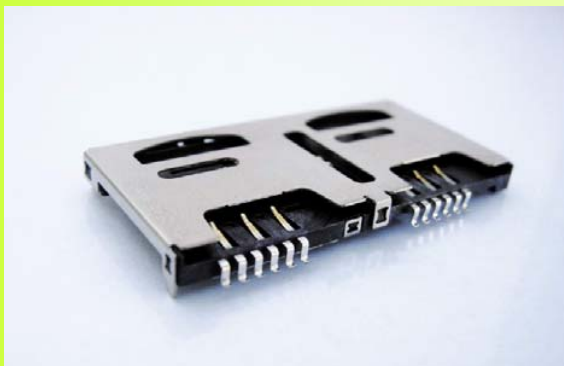
-25°C ~ + 85°C



101-00359-**

Double SIM + micro-SD P-P Combo

**SIM : Push in -Pull out
microSD: Push in - Push out**



MATERIAL

HSG : HIGH TEMPERATURE THERMOPLASTIC
CONTACT : COPPER ALLOY
SHELL : COPPER ALLOY

RATING

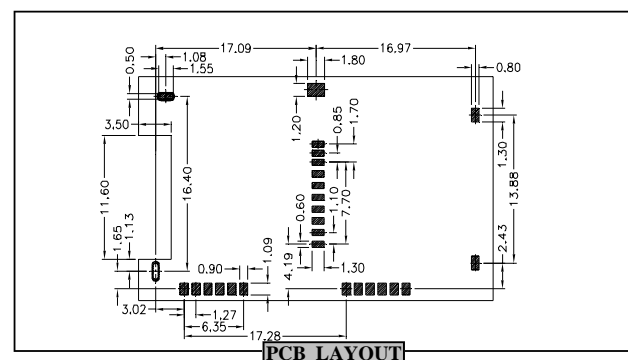
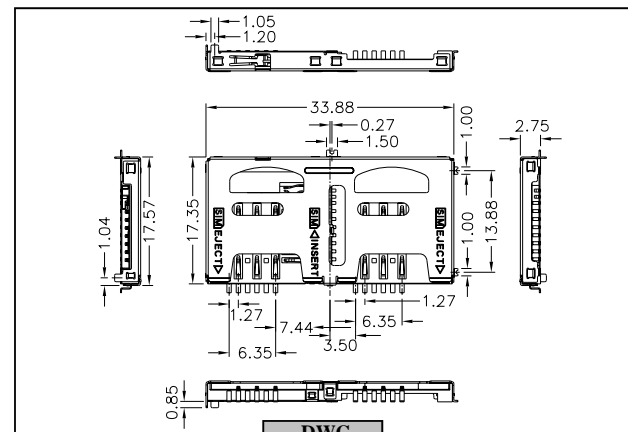
CURRENT RATING : 0.5 A AC/DC Max
RATED VOLTAGE : 100 VAC

ELECTRICAL

CONTACT RESISTANCE : 100 mΩ Max.
INSULATION RESISTANCE : 1000 MΩ Max.
DIELECTRIC WITHSTANDING VOLTAGE : 500 VAC/RMS

OPERATING TEMPERATURE

-25°C ~ + 85°C



Miniature Card Socket

101-00492-**

Mega SIM + micro-SD Connector



MATERIAL

HSG : HIGH TEMPERATURE THERMOPLASTIC
CONTACT : COPPER ALLOY
SHELL : STAINLESS

RATING

CURRENT RATING : 0.5 A AC/DC Max
RATED VOLTAGE : 100 VAC

ELECTRICAL

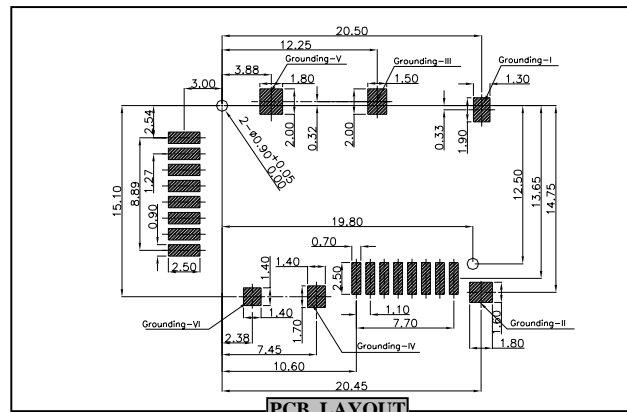
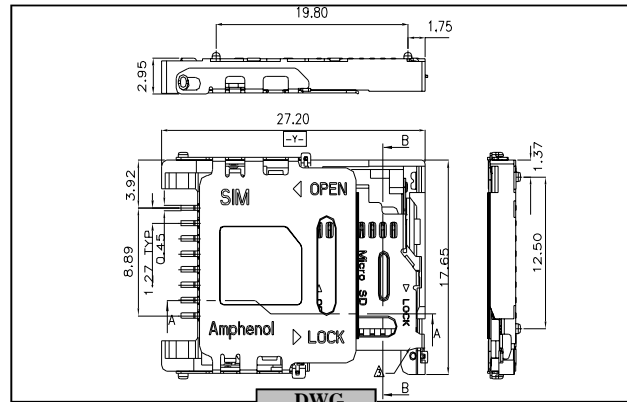
CONTACT RESISTANCE : 100 mΩ Max.
INSULATION RESISTANCE : 1000 MΩ Max.
DIELECTRIC WITHSTANDING VOLTAGE : 500 VAC/RMS

OPERATING TEMPERATURE

-25°C ~ + 85°C

SIM : Push in -Pull out

microSD: Push in - Push out



101-00269-**

SIM Socket, Normal Type



MATERIAL

HSG : HIGH TEMPERATURE THERMOPLASTIC
CONTACT : COPPER ALLOY
SHELL : STAINLESS STEEL

RATING

CURRENT RATING : 0.5 A AC/DC Max
RATED VOLT-AGE : 250 VAC 5.0 vrms

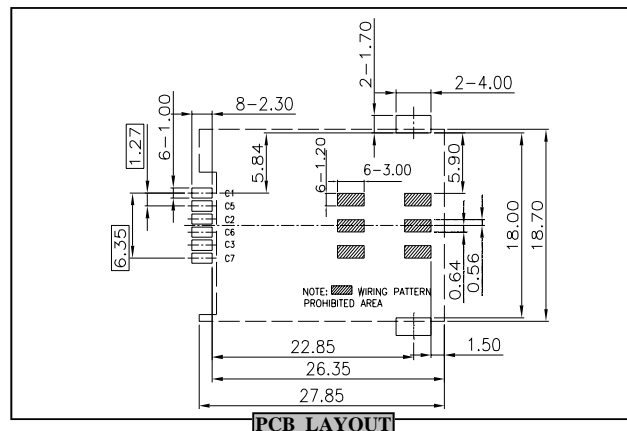
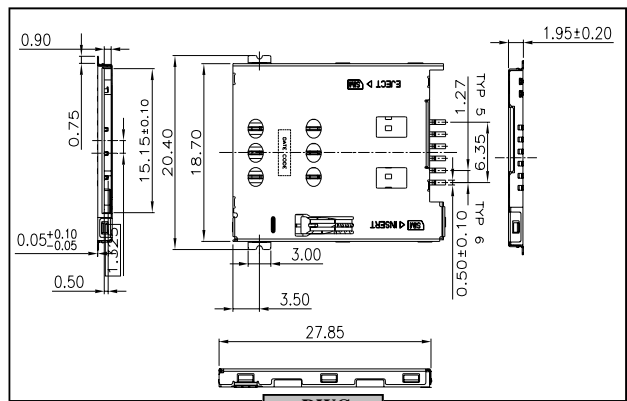
ELECTRICAL

CONTACT RESISTANCE : 100 mΩ Max.
INSULATION RESISTANCE : 1000 MΩ Max.
DIELECTRIC WITHSTANDING VOLTAGE : 250 VAC/RMS

OPERATING TEMPERATURE

-55°C ~ + 85°C

Push in-Pull out



Miniature Card Socket

101-00272-**

Mega SIM Socket, Reverse Type



MATERIAL

HSG : HIGH TEMPERATURE THERMOPLASTIC
CONTACT : COPPER ALLOY
SHELL : STAINLESS STEEL

RATING

CURRENT RATING : 0.5 A AC/DC Max
RATED VOLT- 5.0 vrms

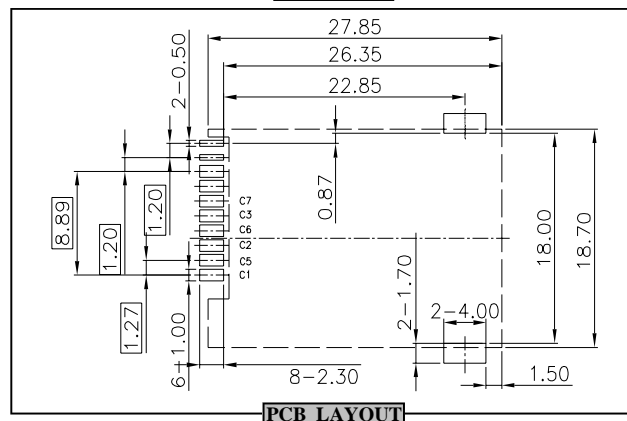
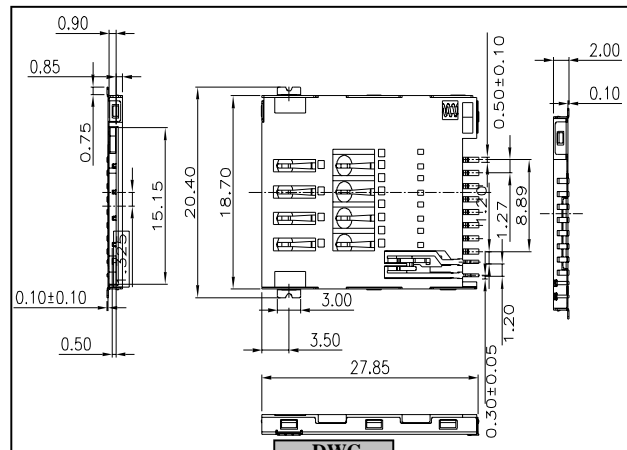
ELECTRICAL

CONTACT RESISTANCE : 100 mΩ Max.
INSULATION RESISTANCE : 1000 MΩ Max.
DIELECTRIC WITHSTANDING VOLTAGE : 250 VAC/RMS

OPERATING TEMPERATURE

-55°C ~ +85°C

Push in-Pull out



101-00306-**

SIM Socket, Normal Type , W/ Switch (6 pin)



MATERIAL

HSG : HIGH TEMPERATURE THERMOPLASTIC
CONTACT : COPPER ALLOY
SHELL : STAINLESS STEEL

RATING

CURRENT RATING : 0.5 A AC/DC Max
RATED VOLT- 5.0 vrms
AGE : 250 VAC

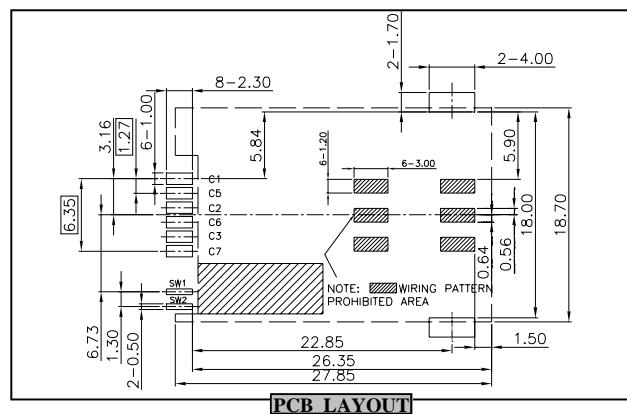
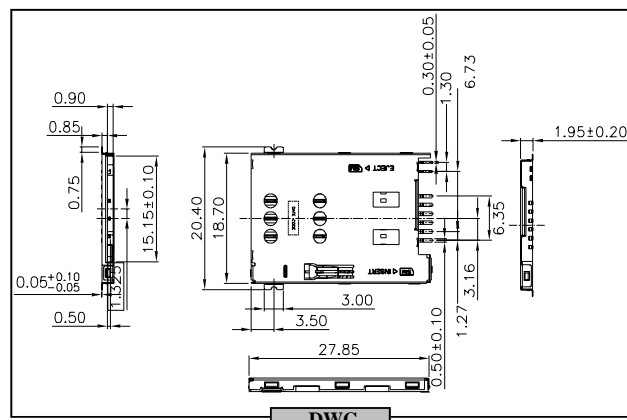
ELECTRICAL

CONTACT RESISTANCE : 100 mΩ Max.
INSULATION RESISTANCE : 1000 MΩ Max.
DIELECTRIC WITHSTANDING VOLTAGE : 250 VAC/RMS

OPERATING TEMPERATURE

-55°C ~ +85°C

Push in-Push out



Miniature Card Socket

101-00309-**

Mega SIM Socket, Normal Type

Push in-Pull out

MATERIAL

HSG : HIGH TEMPERATURE THERMOPLASTIC
 CONTACT : COPPER ALLOY
 SHELL : STAINLESS STEEL

RATING

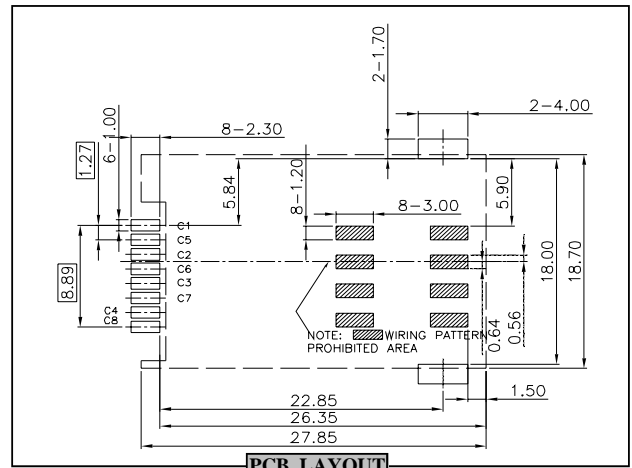
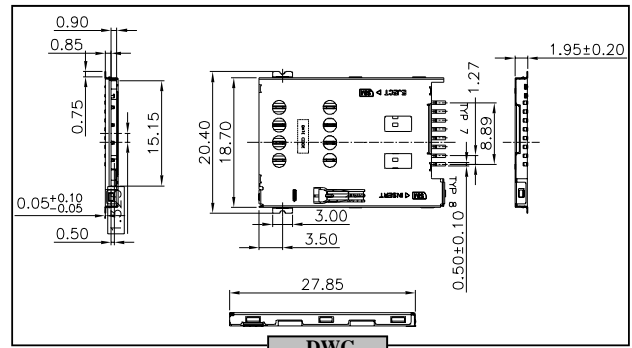
CURRENT RATING : 0.5 A AC/DC Max
 RATED VOLT- 5.0 vrms

ELECTRICAL

CONTACT RESISTANCE : 100 mΩ Max.
 INSULATION RESISTANCE : 1000 MΩ Max.
 DIELECTRIC WITHSTANDING VOLTAGE : 250 VAC/RMS

OPERATING TEMPERATURE

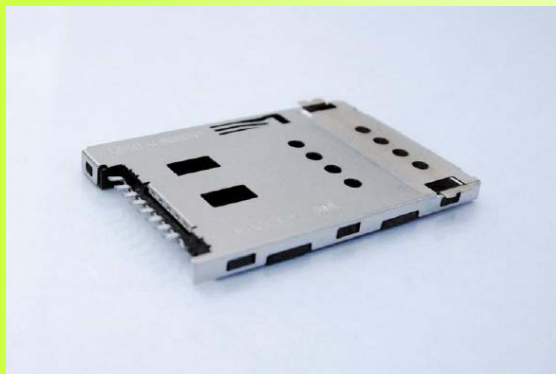
-55°C ~ +85°C



101-00364-**

Mega SIM Socket, Normal Type

Push in-Pull out



MATERIAL

HSG : HIGH TEMPERATURE THERMOPLASTIC
 CONTACT : COPPER ALLOY
 SHELL : STAINLESS STEEL

RATING

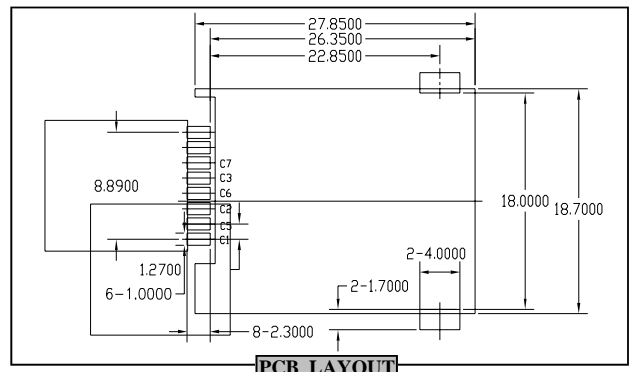
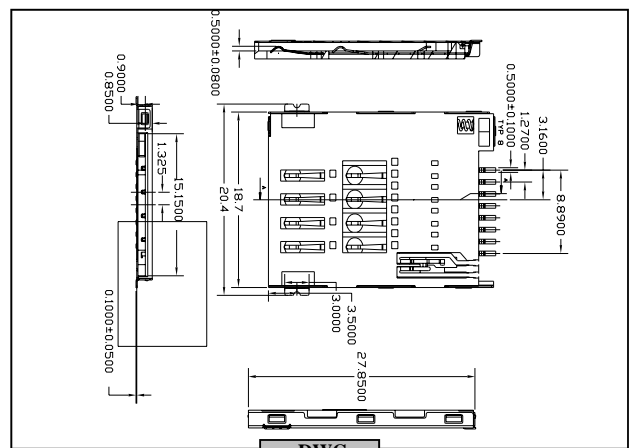
CURRENT RATING : 0.5 A AC/DC Max
 RATED VOLT- 5.0 vrms
 AGE : 250 VAC

ELECTRICAL

CONTACT RESISTANCE : 100 mΩ Max.
 INSULATION RESISTANCE : 1000 MΩ Max.
 DIELECTRIC WITHSTANDING VOLTAGE : 250 VAC/RMS

OPERATING TEMPERATURE

-55°C ~ +85°C



Miniature Card Socket

101-00365-**

SIM Socket, Reverse Type



MATERIAL

HSG : HIGH TEMPERATURE THERMOPLASTIC
CONTACT : COPPER ALLOY
SHELL : STAINLESS STEEL

RATING

CURRENT RATING : 0.5 A AC/DC Max
RATED VOLT-AGE : 250 VAC 5.0 vrms

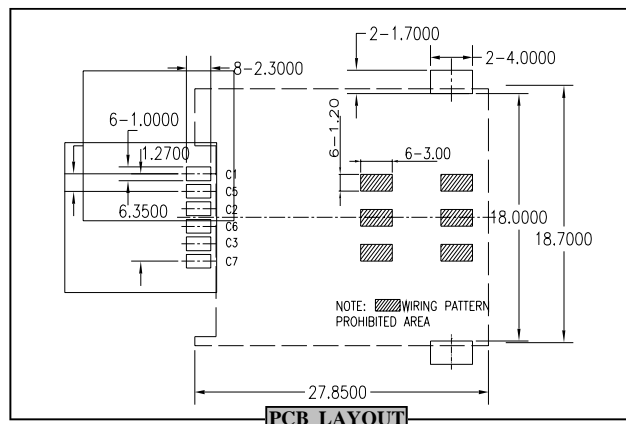
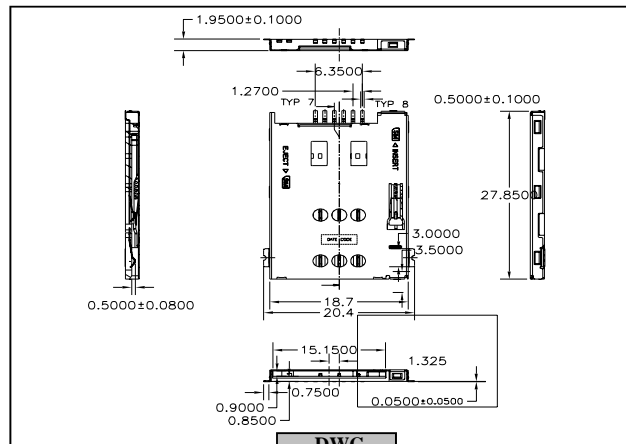
ELECTRICAL

CONTACT RESISTANCE : 100 mΩ Max.
INSULATION RESISTANCE : 1000 MΩ Max.
DIELECTRIC WITHSTANDING VOLTAGE : 250 VAC/RMS

OPERATING TEMPERATURE

-55°C ~ +85°C

Push in-Push out



101-00586-**

SIM Socket, Normal Type(H=2.4mm)



MATERIAL

HSG : HIGH TEMPERATURE THERMOPLASTIC
CONTACT : COPPER ALLOY
SHELL : STAINLESS STEEL

RATING

CURRENT RATING : 0.5 A AC/DC Max
RATED VOLT-AGE : 250 VAC 5.0 vrms

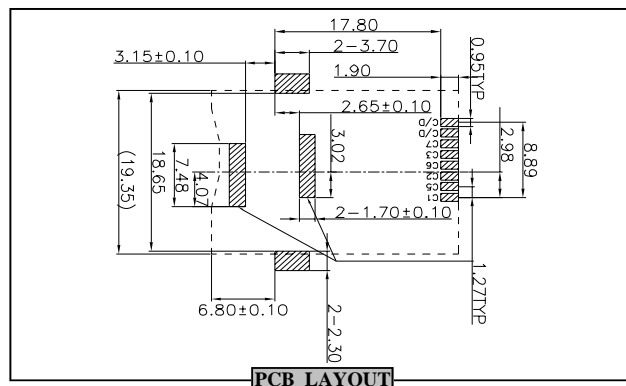
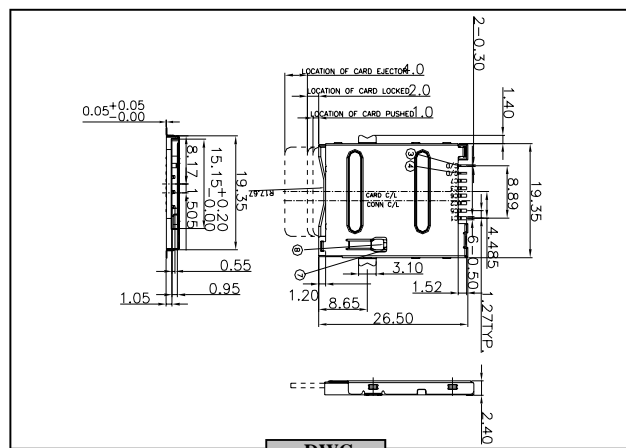
ELECTRICAL

CONTACT RESISTANCE : 100 mΩ Max.
INSULATION RESISTANCE : 1000 MΩ Max.
DIELECTRIC WITHSTANDING VOLTAGE : 250 VAC/RMS

OPERATING TEMPERATURE

-55°C ~ +85°C

Push in-Push out



106-00069-**

Mini-SD to SD Adapter



MATERIAL

HSG : HIGH TEMPERATURE THERMOPLASTIC
CONTACT : COPPER ALLOY

RATING

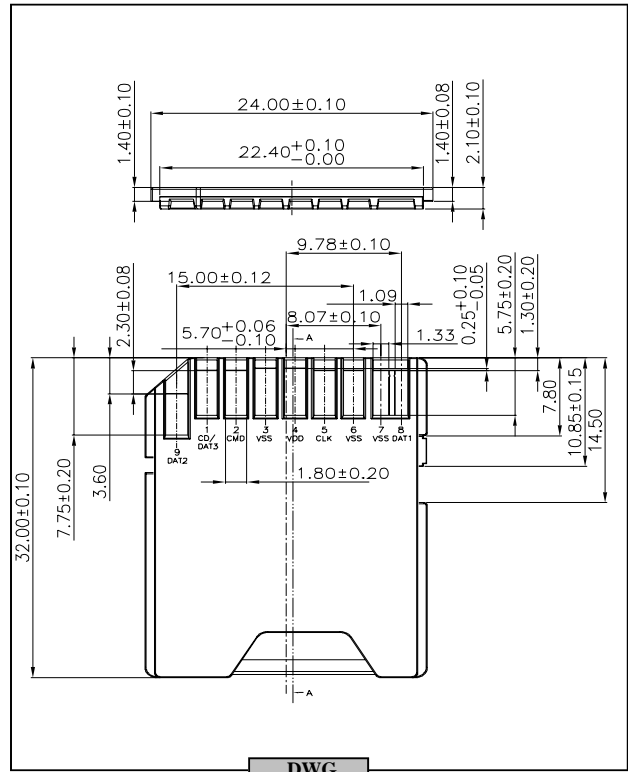
CURRENT RATING : 1 A AC/DC Max
RATED VOLTAGE : 500 V RMS Min.

ELECTRICAL

CONTACT RESISTANCE : 100 mΩ Max.
INSULATION RESISTANCE : 1000 MΩ Max.
DIELECTRIC WITHSTANDING VOLTAGE : 500 VAC/RMS

OPERATING TEMPERATURE

-25°C ~ + 85°C



DWG

106-00120-**

Mini-SD to SD Adapter



MATERIAL

HSG : HIGH TEMPERATURE THERMOPLASTIC
CONTACT : COPPER ALLOY

RATING

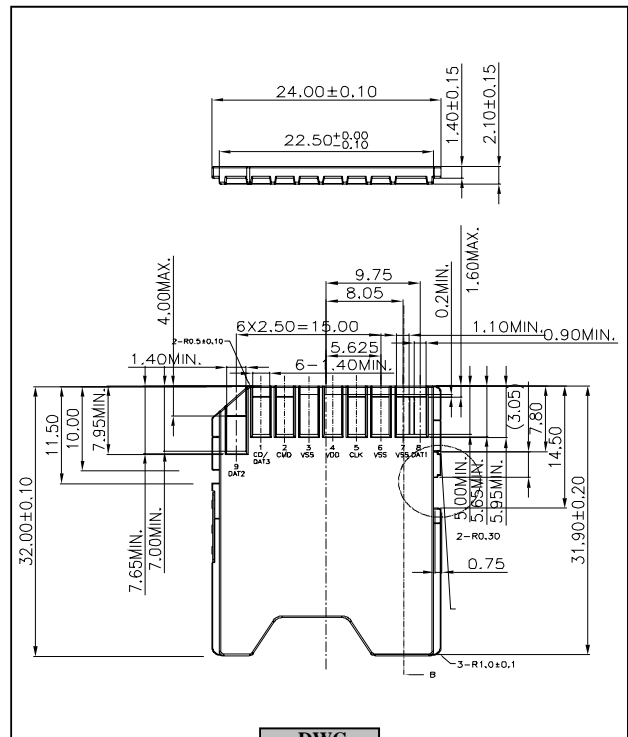
CURRENT RATING : 1 A AC/DC Max
RATED VOLT- 500 V RMS Min.

ELECTRICAL

CONTACT RESISTANCE : 100 mΩ Max.
INSULATION RESISTANCE : 1000 MΩ Max.
DIELECTRIC WITHSTANDING VOLTAGE : 500 VAC/RMS

OPERATING TEMPERATURE

-25°C ~ + 85°C



DWG

105-00208-**

MMI Connector, Cable-end Plug



MATERIAL

HSG : HIGH TEMPERATURE THERMOPLASTIC
CONTACT : COPPER ALLOY

RATING

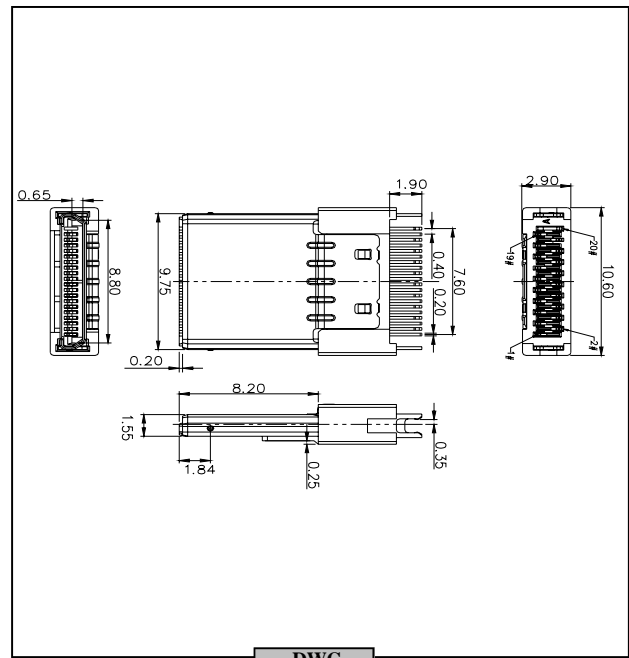
CURRENT RATING : 1 A AC/DC Max
RATED VOLT- 100 VAC

ELECTRICAL

CONTACT RESISTANCE : 100 mΩ Max.
INSULATION RESISTANCE : 1000 MΩ Max.
DIELECTRIC WITHSTANDING VOLTAGE : 500 VAC/RMS

OPERATING TEMPERATURE

-55°C ~ + 105°C



DWG

105-00210-**

MMI Connector, Board mount Receptacle



MATERIAL

HSG : HIGH TEMPERATURE THERMOPLASTIC
CONTACT : COPPER ALLOY

RATING

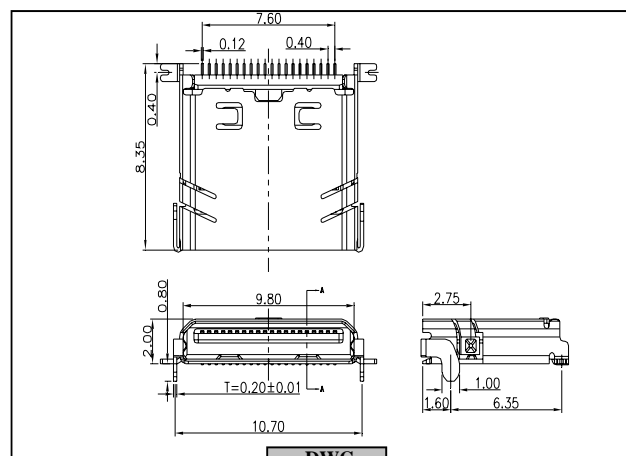
CURRENT RATING : 1 A AC/DC Max
RATED VOLT- 100 VAC

ELECTRICAL

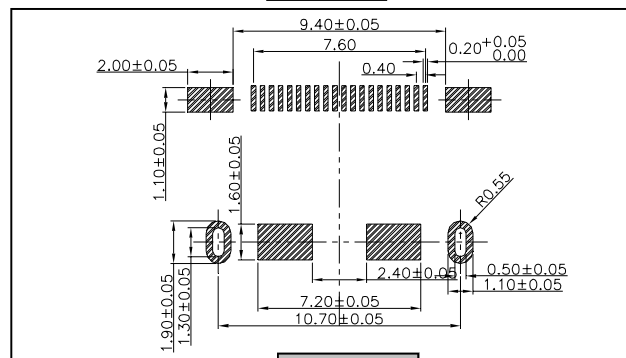
CONTACT RESISTANCE : 100 mΩ Max.
INSULATION RESISTANCE : 1000 MΩ Max.
DIELECTRIC WITHSTANDING VOLTAGE : 500 VAC/RMS

OPERATING TEMPERATURE

-55°C ~ + 105°C



DWG



PCB LAYOUT

I/O connector Serials

105-00321-**

Mini-USB



MATERIAL

HSG : HIGH TEMPERATURE THERMOPLASTIC
 CONTACT : COPPER ALLOY
 SHELL : COPPER ALLOY

RATING

CURRENT RATING : 1.5 A mp
 RATED VOLT-AGE : 50 VAC

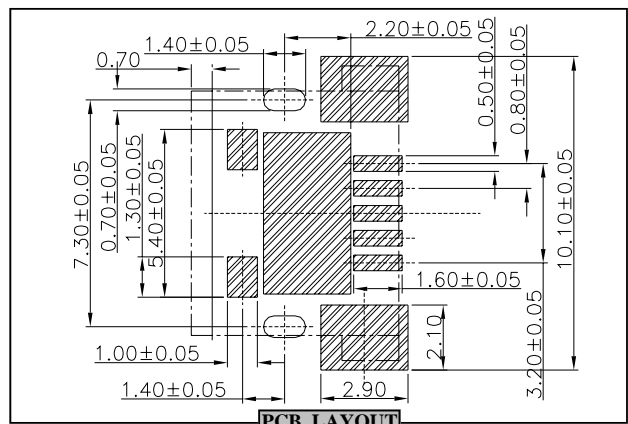
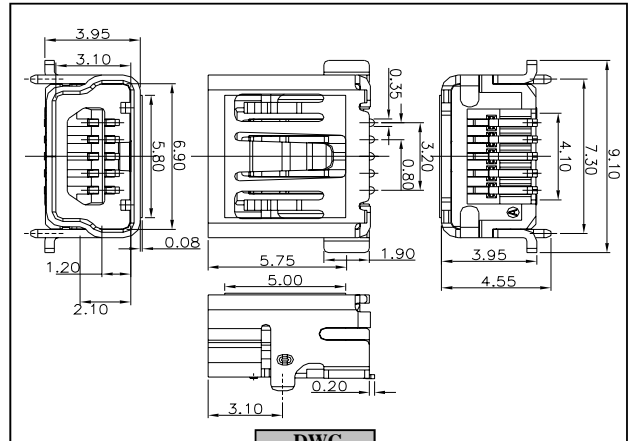
ELECTRICAL

CONTACT RESISTANCE : 50 mΩ Max.
 INSULATION RESISTANCE : 1000 MΩ Max.
 DIELECTRIC WITHSTANDING VOLTAGE : 500 VAC/RMS

OPERATING TEMPERATURE

-40°C ~ +85°C

Ultra Short Type



105-00569-**

Micro-USB



MATERIAL

HSG : HIGH TEMPERATURE THERMOPLASTIC
 CONTACT : COPPER ALLOY
 SHELL : COPPER ALLOY

RATING

CURRENT RATING : 1.5 A mp
 RATED VOLT-AGE : 50 VAC

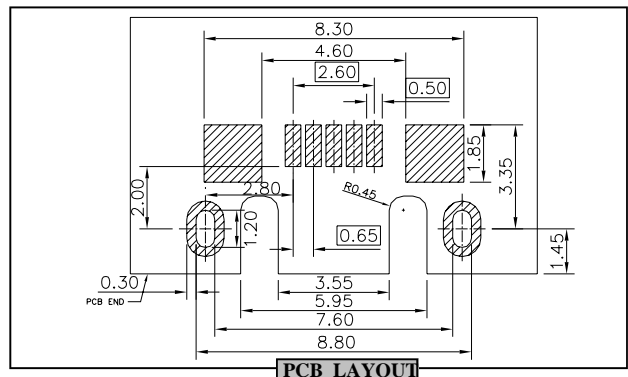
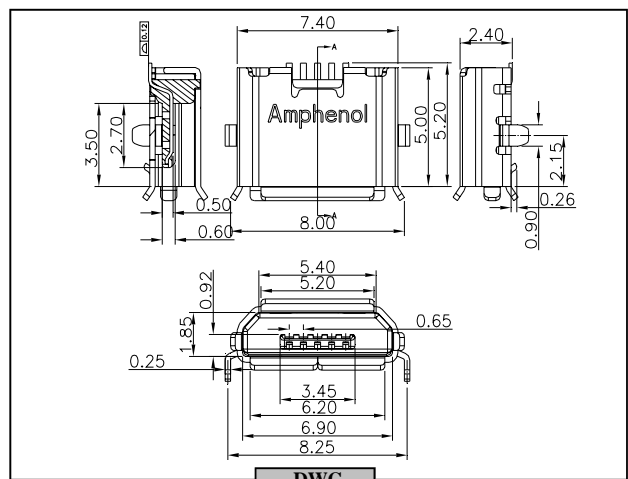
ELECTRICAL

CONTACT RESISTANCE : 30 mΩ Max.
 INSULATION RESISTANCE : 1000 MΩ Max.
 DIELECTRIC WITHSTANDING VOLTAGE : 500 VAC/RMS

OPERATING TEMPERATURE

-30°C ~ +85°C

Reverse Type



108-00671-64

Mini Express Conn.

Normal Type

MATERIAL

HSG : HIGH TEMPERATURE THERMOPLASTIC
CONTACT : COPPER ALLOY

RATING

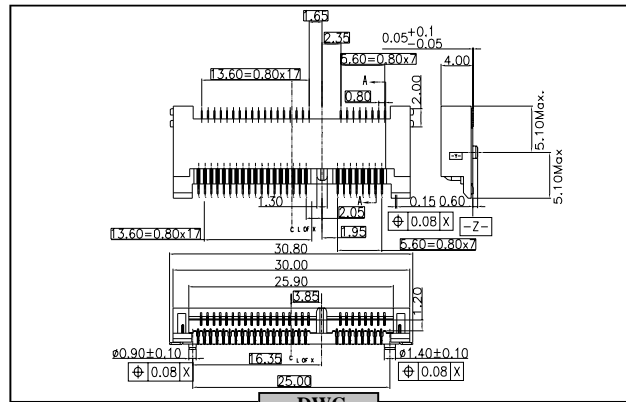
CURRENT RATING : 1 Amp
RATED VOLTAGE : 100 VAC

ELECTRICAL

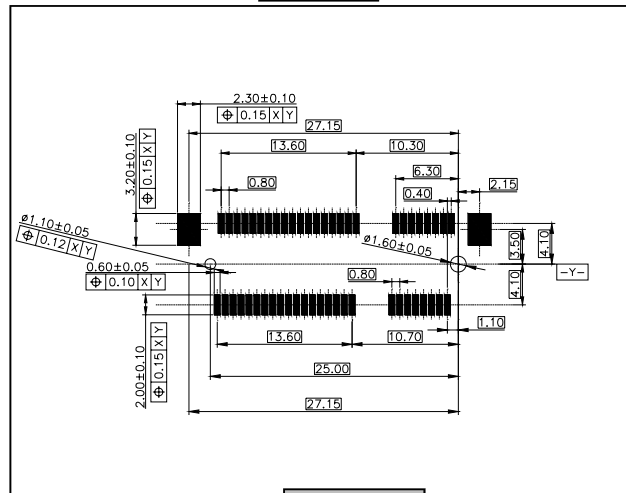
CONTACT RESISTANCE : 100 mΩ Max.
INSULATION RESISTANCE : 1000 MΩ Max.
DIELECTRIC WITHSTANDING VOLTAGE : 500 VAC/RMS

OPERATING TEMPERATURE

-55°C ~ + 105°C



DWG



PCB LAYOUT

Wafer Series 3.5 / 4.0 / 13.0

SMT / DIP Type

MATERIAL

HSG : HIGH TEMPERATURE THERMOPLASTIC
CONTACT : COPPER ALLOY

RATING

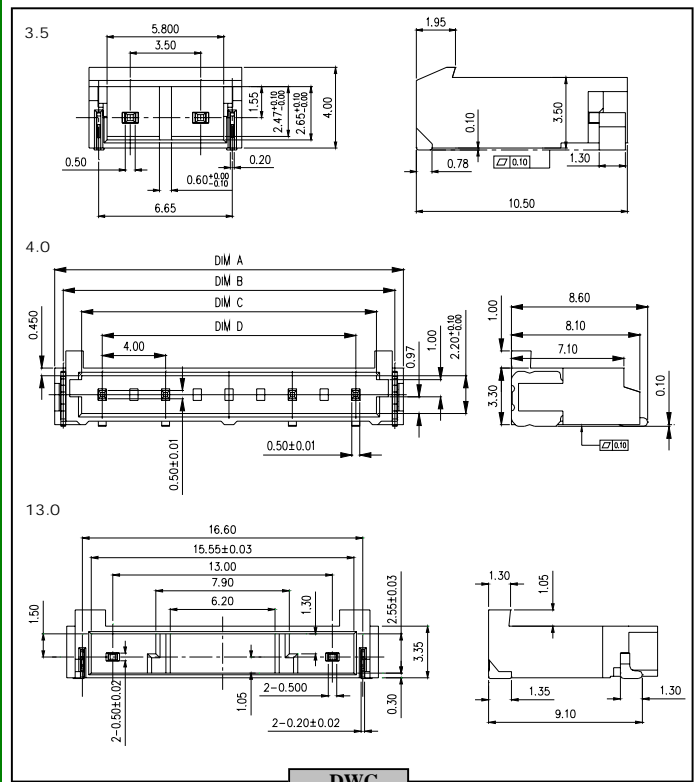
CURRENT RATING : 2 Amp
RATED VOLTAGE : 650 VAC

ELECTRICAL

CONTACT RESISTANCE : 100 mΩ Max.
INSULATION RESISTANCE : 1000 MΩ Max.
DIELECTRIC WITHSTANDING VOLTAGE : 500 VAC/RMS

OPERATING TEMPERATURE

-55°C ~ + 105°C



DWG