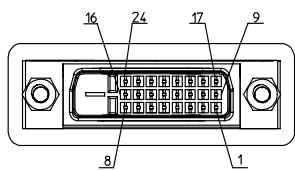
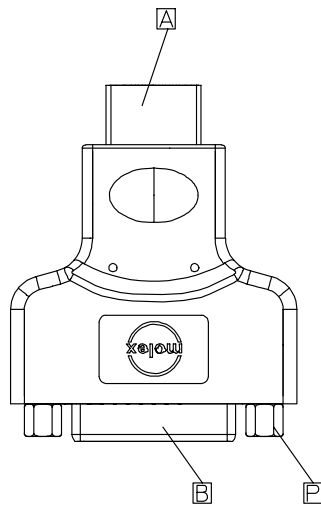
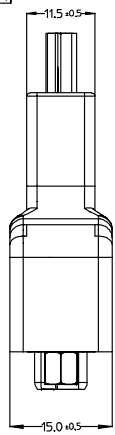
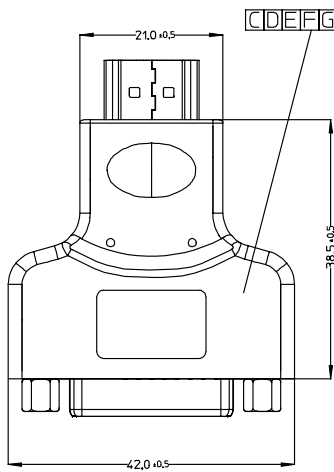
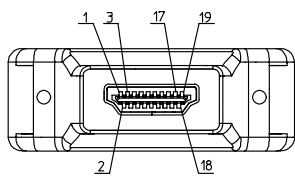


6 5 4 3 2 1



ITEM	DESCRIPTION	USAGE
P	4-40 UNC NUT	2
N	UL&CSA 1061#28 VIOLET	1
M	UL&CSA 1061#28 RED	1
L	UL&CSA 1061#28 YELLOW	1
K	UL&CSA 1061#28 ORANGE	1
J	UL&CSA 1061#28 WHITE	1
H	TMDS #28 RED	1
G	TMDS #28 BLACK	1
F	TMDS #28 BLUE	1
E	TMDS #28 BROWN	1
D	TOP METAL CAN	1
C	BOTTOM METAL CAN	1
B	DVI-D FEMALE	1
A	HDMI PLUG	1

EC NO. A	DRWN: CHK: APPR:	DESCRIPTION REV	QUALITY SYMBOLS	GENERAL TOLERANCES: (UNLESS SPECIFIED)	SCALE N.S.T	DESIGN UNITS <input checked="" type="checkbox"/> mm <input type="checkbox"/> INCH	<input type="checkbox"/> THIRD ANGLE <input type="checkbox"/> PROJECTION	<input type="checkbox"/> mm <input type="checkbox"/> INCH	<input checked="" type="checkbox"/> mm <input type="checkbox"/> INCH	SHT	REV	
			MAJOR ▽-0	4 PLACES 0.	3 PLACES 0.	2 PLACES 0.	1 PLACE 0.	ANGULAR: °	DRAWN BY & DATE ANDY 04/04/01	CHECKED BY & DATE Teddy 04/04/01	APPROVED BY & DATE Boron 04/04/01	CAD FILENAME J6420-00.M
TITLE: HDM(M) TO DVI-D(F) ADAPTOR							MOLEX INCORPORATED					
THIS DRAWING CONTAINS INFORMATION THAT IS PROPRIETARY TO MOLEX INCORPORATED AND SHOULD NOT BE USED WITHOUT WRITTEN PERMISSION.											SIZE A4	

WBORD\_A.BOR REV A  
97/05/14 LEVEL 3

6

5

4

3

2

1

NOTE:1. OVERMOLD SPECIFICATION:

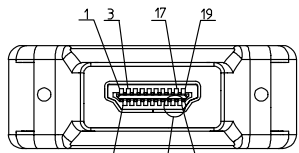
- 1.1 OVERMOLD OUTER MOLD WITH WHITE PVC RESIN UL94V-0
- 1.2 OVERMOLD INNER MOLD WITH PE RESIN
- 2. CABLE ELECTRICAL SPECIFICATION:
  - 2.1 DIELECTRIC STRENGTH: 300V AC FOR 10MS.
  - 2.2 INSULATION RESISTANCE: 10 MEGA Ohms MIN.
  - 2.3 CONTACT RESISTANCE: 2 OHMS(MAX.)

SIELD	=====	SIELD	SIELD	GROUND
PIN 19	=====	PIN 16	WHITE	HOT PLUG DETECT
PIN 18	=====	PIN 14	YELLOW	POWER +5V
PIN 17	=====	PIN 15	ORANGE	GROUND (+5V&DDC)
PIN 16	=====	PIN 7	RED	DDC DATA (SDA)
PIN 15	=====	PIN 6	VIOLET	DDC CLOCK (SCL)
PIN 12	=====	PIN 24	WHITE	TMDS CLOCK -
PIN 10		PIN 23	BROWN	TMDS CLOCK +
PIN 11	=====	PIN 22	BRAID	TMDS CLOCK SHIELD
PIN 9		PIN 17	WHITE	TMDS DATA 0-
PIN 7		PIN 18	BLUE	TMDS DATA 0+
PIN 8	=====	PIN 19	BRAID	TMDS DATA 0 SHIELD
PIN 6		PIN 9	WHITE	TMDS DATA 1-
PIN 4	=====	PIN 10	BLACK	TMDS DATA 1+
PIN 5		PIN 11	BRAID	TMDS DATA 1 SHIELD
PIN 3	=====	PIN 1	WHITE	TMDS DATA 2+
PIN 1		PIN 2	RED	TMDS DATA 2+
PIN 2	=====	PIN 3	BRAID	TMDS DATA 2 SHIELD
HDMI		DVI-D	WIRE COLOR	DVI-D

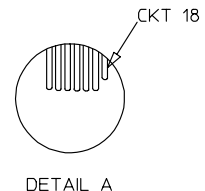
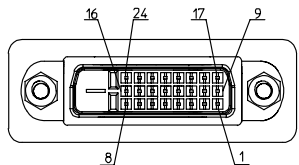
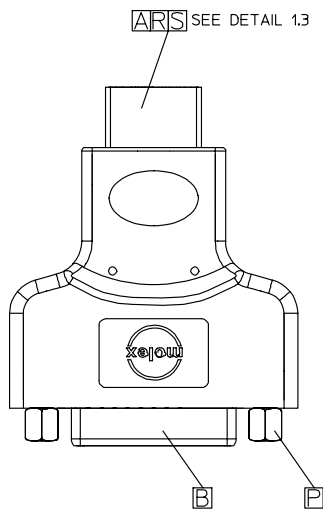
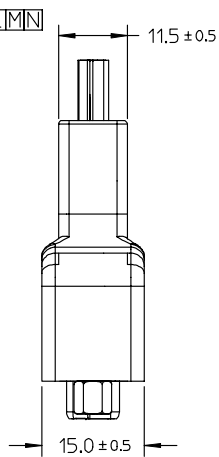
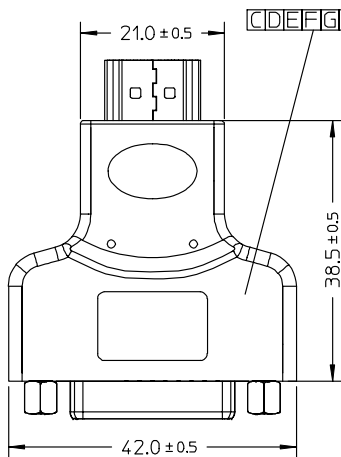
EC NO. DRWN: CHK: APPR:	DESCRIPTION REV	QUALITY SYMBOLS: MAJOR -0 CRITICAL -0	GENERAL TOLERANCES: (UNLESS SPECIFIED)		SCALE N,S,T	DESIGN UNITS <input checked="" type="checkbox"/> mm <input type="checkbox"/> INCH	<input type="checkbox"/> THIRD ANGLE <input type="checkbox"/> PROJECTION	<input type="checkbox"/> mm <input type="checkbox"/> INCH <input checked="" type="checkbox"/> mm ONLY	SHT REV																
		<table border="1"> <tr> <th></th> <th>mm</th> <th>INCH</th> </tr> <tr> <td>4 PLACES</td> <td>0.</td> <td></td> </tr> <tr> <td>3 PLACES</td> <td>0.</td> <td></td> </tr> <tr> <td>2 PLACES</td> <td>0.</td> <td></td> </tr> <tr> <td>1 PLACE</td> <td>0.</td> <td></td> </tr> </table>			mm	INCH	4 PLACES	0.		3 PLACES	0.		2 PLACES	0.		1 PLACE	0.		DRAWN BY & DATE ANDY 04/04/01		TITLE: HDMI(M) TO DVI-D(F) ADAPTOR				
			mm	INCH																					
		4 PLACES	0.																						
3 PLACES	0.																								
2 PLACES	0.																								
1 PLACE	0.																								
ANGULAR: °		CHECKED BY & DATE Teddy 04/04/01		APPROVED BY & DATE Boron 04/04/01																					
A		CAD FILENAME J6420-00.M		MATERIAL NO. 88764-2000		DRAWING NO. SD-88764-005		SHEET NO. 2 OF 2																	

WBORD\_A.BOR REV A  
97/05/14 LEVEL 3

SIZE  
A4



SEE DETAIL A



S	47152-6009	SMALL METAL PLATED	1
R	47152-4001	HDMI METAL CAN	1
P	887806066	4-40 UNC NUT	2
N	887719807	UL&CSA 1061#28 VIOLET	1
M	887719801	UL&CSA 1061#28 RED	1
L	887719803	UL&CSA 1061#28 YELLOW	1
K	887719802	UL&CSA 1061#28 ORANGE	1
J	887719809	UL&CSA 1061#28 WHITE	1
H	887808260	TMDS #28 RED	1
G	887808256	TMDS #28 BLACK	1
F	887808259	TMDS #28 BLUE	1
E	887808258	TMDS #28 BROWN	1
D	887899826	TOP METAL CAN	1
C	887899825	BOTTOM METAL CAN	1
B	743205004	DVI-D FEMALE	1
A	47152-1100	HDMI HOUSING ASSY	1
ITEM	MX P/N	DESCRIPTION	USAGE

ENTER DESCRIPTION EC NO: DG2006-0144 DRWN: JFZHENG CHKD: 2005/12/27 APPR: DQLUO 2006/01/16	DESCRIPTION B	QUALITY SYMBOLS ▽=0 ▽=0	GENERAL TOLERANCES (UNLESS SPECIFIED)		DIMENSION STYLE MM ONLY	SCALE ---	DESIGN UNITS METRIC	THIRD ANGLE PROJECTION												
			<table border="1"> <tr><th>mm</th><th>INCH</th></tr> <tr><td>4 PLACES ±---</td><td>±---</td></tr> <tr><td>3 PLACES ±---</td><td>±---</td></tr> <tr><td>2 PLACES ±---</td><td>±---</td></tr> <tr><td>1 PLACE ±---</td><td>±---</td></tr> <tr><td colspan="2">ANGULAR ±---°</td></tr> </table>	mm	INCH	4 PLACES ±---	±---	3 PLACES ±---	±---	2 PLACES ±---	±---	1 PLACE ±---	±---	ANGULAR ±---°		DRAWN BY JFZHENG	DATE 2005/12/27	TITLE HDMI(M) TO DVI-(D)M ADAPTER		
			mm	INCH																
			4 PLACES ±---	±---																
3 PLACES ±---	±---																			
2 PLACES ±---	±---																			
1 PLACE ±---	±---																			
ANGULAR ±---°																				
DRAFT WHERE APPLICABLE MUST REMAIN WITHIN DIMENSIONS		CHECKED BY JFZHENG	DATE 2005/12/27	MOLEX INCORPORATED																
		APPROVED BY DQLUO	DATE 2005/12/27	MATERIAL NO. 887642000	DOCUMENT NO. SD-887642000	SHEET NO. 1 OF 2														

7 | 6 | 5 | 4 | 3 | 2 | 1

**NOTE:**

1. OVERMOLD SPECIFICATION:
  - 1.1 OVERMOLD OUTER MOLD WITH WHITE PVC RESIN UL94V-0 P/N IS 887800076.
  - 1.2 OVERMOLD INNER MOLD WITH PVC RESIN P/N IS 887800019
  - 1.3 HDMI DUST COVER WITH PE 887800008
2. CABLE ELECTRICAL SPECIFICATION:
  - 2.1 DIELECTRIC STRENGTH: 300V AC FOR 10MS.
  - 2.2 INSULATION RESISTANCE: 10 MEGA Ohms MIN.
  - 2.3 CONTACT RESISTANCE: 2 OHMS(MAX.)
3. ALL MATERIALS MUST MEET MX TS-0002.

SHIELD	SHIELD	SHIELD	GROUND
PIN 19	PIN 16	WHITE	HOT PLUG DETECT
PIN 18	PIN 14	YELLOW	POWER +5V
PIN 17	PIN 15	ORANGE	GROUND (+5V&DDC)
PIN 16	PIN 7	RED	DDC DATA (SDA)
PIN 15	PIN 6	VIOLET	DDC CLOCK (SCL)
PIN 12	PIN 24	WHITE	TMDS CLOCK -
PIN 10	PIN 23	BROWN	TMDS CLOCK +
PIN 11	PIN 22	BRAID	TMDS CLOCK SHIELD
PIN 9	PIN 17	WHITE	TMDS DATA 0-
PIN 7	PIN 18	BLUE	TMDS DATA 0+
PIN 8	PIN 19	BRAID	TMDS DATA 0 SHIELD
PIN 6	PIN 9	WHITE	TMDS DATA 1-
PIN 4	PIN 10	BLACK	TMDS DATA 1+
PIN 5	PIN 11	BRAID	TMDS DATA 1 SHIELD
PIN 3	PIN 1	WHITE	TMDS DATA 2+
PIN 1	PIN 2	RED	TMDS DATA 2+
PIN 2	PIN 3	BRAID	TMDS DATA 2 SHIELD
HDMI	DVI-D	WIRE COLOR	FUNCTION

ENTER DESCRIPTION EC NO: DG2006-0144 DRWN: JFZHENG CHYD: 2005/12/27 APPR: DQLUO 2006/01/16	DESCRIPTION B	REV	QUALITY SYMBOLS ▽=0 ▽=0	GENERAL TOLERANCES (UNLESS SPECIFIED)		DIMENSION STYLE	SCALE	DESIGN UNITS	THIRD ANGLE PROJECTION	
						MM ONLY	---	METRIC		
						DRAWN BY	DATE	TITLE		
						JFZHENG	2005/12/27	HDMI(M) TO DVI-DM) ADAPTER		
		CHECKED BY		DATE						
		JFZHENG		2005/12/27						
		APPROVED BY		DATE						
		DQLUO		2005/12/27						
		MATERIAL NO.		DOCUMENT NO.	SHEET NO.					
		887642000		SD-887642000	2 OF 2					
		SIZE		THIS DRAWING CONTAINS INFORMATION THAT IS PROPRIETARY TO MOLEX INCORPORATED AND SHOULD NOT BE USED WITHOUT WRITTEN PERMISSION						
		A4								

ib\_frame\_A4\_P\_ME\_T  
Rev. D 2004/04/02

6 | 5 | 4 | 3 | 2 | 1