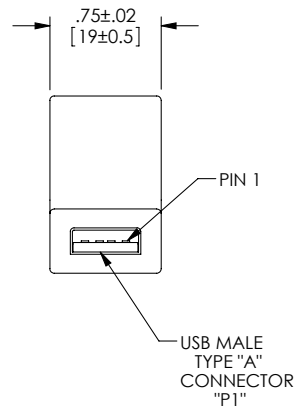
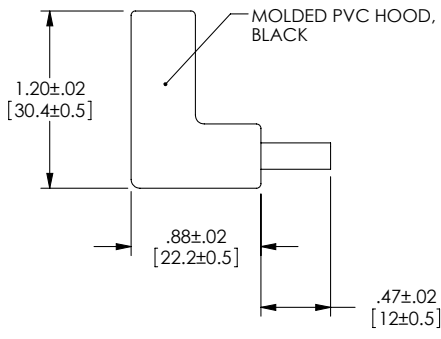
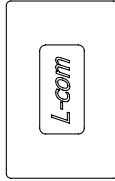
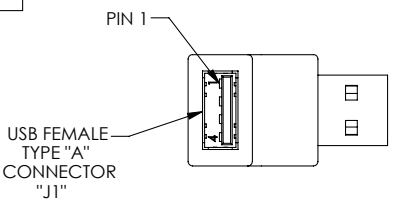


THE INFORMATION CONTAINED IN THIS DRAWING IS THE SOLE PROPERTY OF L-COM, INC. ANY REPRODUCTION IN PART OR WHOLE WITHOUT THE WRITTEN PERMISSION OF L-COM, INC. IS PROHIBITED.

REVISIONS			
REV	DESCRIPTION	DATE	APPROVED
A	INITIAL RELEASE	3/18/09	D.GRIFFIN



WIRE MAP			
"J1"	"P1"	WIRE	SIGNAL
1	1	20 AWG (RED)	VCC
2	2	28 AWG (WHITE)	-DATA
3	3	28 AWG (GREEN)	+DATA
4	4	20 AWG (BLACK)	GND

NOTES:

1. ADAPTOR TO BE TESTED FOR CONTINUITY.
2. ADAPTOR TO BE INDIVIDUALLY PACKAGED IN A POLYBAG.

RoHS Compliant ✓

UNLESS OTHERWISE SPECIFIED, DIMENSIONS ARE IN INCHES [mm] OVERALL CABLE LENGTH TOLERANCE: ≤12 [305] = +1 [25] / -0 >12 [305] ≤60 [1524] = +2 [51] / -0 >60 [1524] ≤120 [3048] = +4 [102] / -0 >120 [3048] ≤300 [7620] = +6 [152] / -0 >300 [7620] = +5% / -0% ALL OTHER DIMENSIONAL TOLERANCES: .X = ±.3 .XX = ±.15	APPROVALS DRAWN BY D. CASTRO CHECKED BY D. PARHAM APPROVED BY S. SMITH	DATE 3/9/09 3/13/09 3/13/09	45 BEECHWOOD DRIVE NORTH ANDOVER, MA 01845
	CONFIGURATION DETAILS OF UNDIMENSIONED FEATURES MAY VARY COLOR VARIATIONS MAY OCCUR	CATEGORY USB	PRODUCT DESCRIPTION ADPT, USB TYPE A M/F 90 DEG EXIT 1
PROJECTION 	SIZE A	FSCM NO. 43321	DWG. NO. UADAA90-1
SHEET 1 OF 1	REV. A	SHEET 1 OF 1	SHEET 1 OF 1