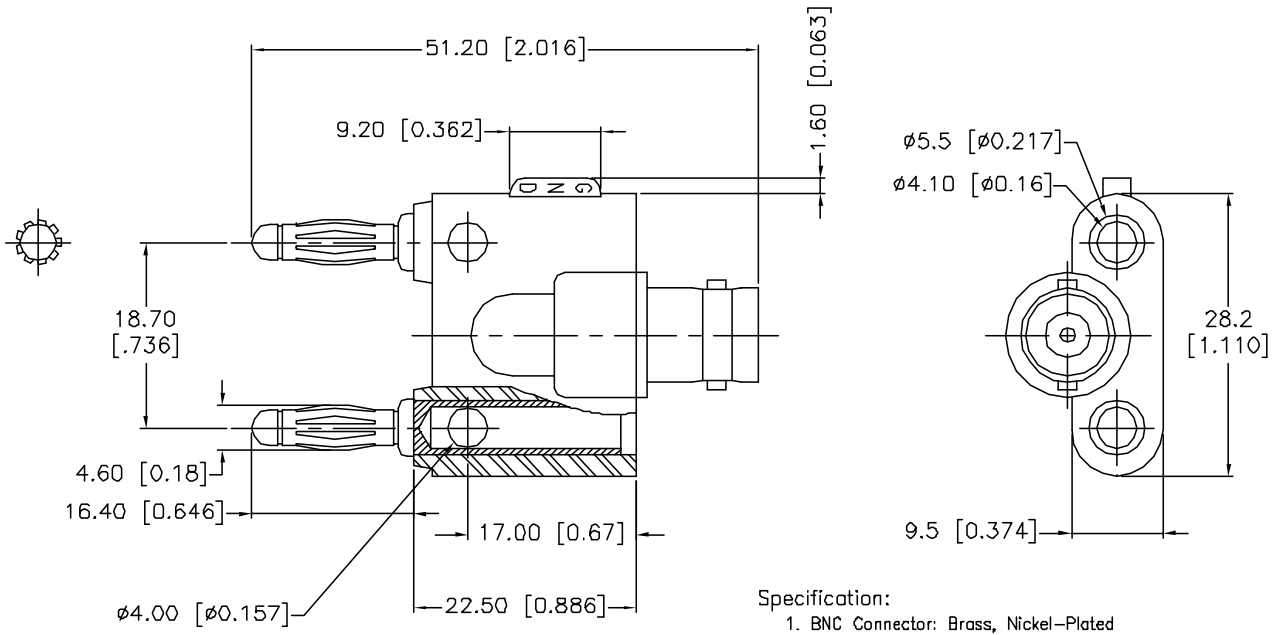


ALL RIGHTS RESERVED. NO PORTION OF THIS PUBLICATION, WHETHER IN WHOLE OR IN PART CAN BE REPRODUCED WITHOUT THE EXPRESS WRITTEN CONSENT OF SPC TECHNOLOGY.

REVISIONS			DOC. NO. SPC-F005 * Effective: 12/21/08 * DCP No: 880					
DCP #	REV	DESCRIPTION	DRAWN	DATE	CHECKD	DATE	APPRVD	DATE
1959	A	Released	JN	11/19/08	JWM	11/19/08	JWM	11/19/08



Specification:

1. BNC Connector: Brass, Nickel-Plated
2. Central Contact: Brass, Gold-Plated
3. Insulator: Delrin
4. Banana Plug Body: Brass, Nickel-Plated
5. Banana Plug Leaf: Beryllium Copper, Nickel-Plated
6. Plastic Body: PE, Black Color

**DISCLAIMER:**  
ALL STATEMENTS AND TECHNICAL INFORMATION CONTAINED HEREIN ARE BASED UPON INFORMATION AND/OR TESTS WE BELIEVE TO BE ACCURATE AND RELIABLE. SINCE CONDITIONS OF USE ARE BEYOND OUR CONTROL, THE USER SHALL DETERMINE THE SUITABILITY OF THE PRODUCT FOR THE INTENDED USE AND ASSUME ALL RISK AND LIABILITY WHATSOEVER IN CONNECTION THEREWITH.



**SPC TECHNOLOGY**

Tolerances Unless  
Otherwise Specified:  
.X=±0.2 [.008]  
.XX=±0.12 [.005]

DRAWN BY:	DATE:
Jason Nash	11/19/08
CHECKED BY:	DATE:
JWM	11/19/08
APPROVED BY:	DATE:
JWM	11/19/08

DRAWING TITLE:  
**BNC Female to Dual Banana Plug**

SIZE	DWG. NO.	ELECTRONIC FILE	REV
A	SPC20524	02M2073.dwg	A
SCALE: NTS	U.O.M.: Millimeters [Inches]	SHEET: 1 OF 1	

SPC-F005.DWG