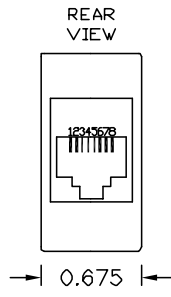
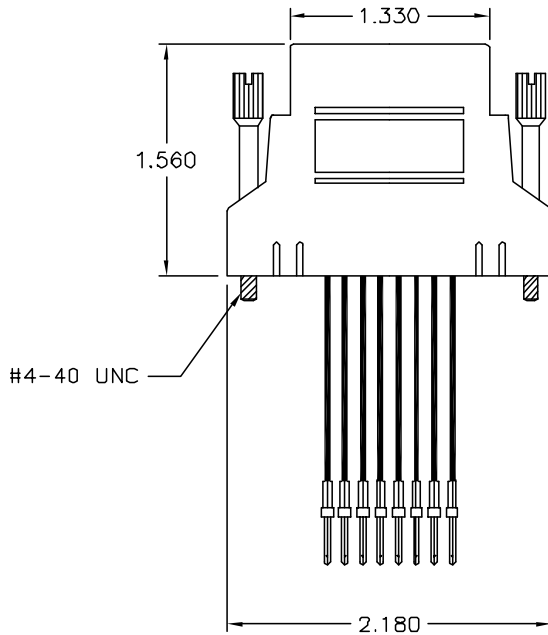


ALL RIGHTS RESERVED. NO PORTION OF THIS PUBLICATION, WHETHER IN WHOLE OR IN PART CAN BE REPRODUCED WITHOUT THE EXPRESS WRITTEN CONSENT OF SPC TECHNOLOGY.

REVISIONS				DOC. NO. SPC-F005 * Effective 12/21/08 * DCP No: B80				
DCP #	REV	DESCRIPTION	DRAWN	DATE	CHECKD	DATE	APPRVD	DATE
1972	A	RELEASED	JWM	6/10/02	JN	06/24/08	JN	06/24/08



- MODULAR JACK PIN I.D.
- 1 - BLUE
  - 2 - ORANGE
  - 3 - BLACK
  - 4 - RED
  - 5 - GREEN
  - 6 - YELLOW
  - 7 - BROWN
  - 8 - GRAY



- NOTES:
1. COVER MATERIAL: ABS UL94V-0
  2. MODULAR JACK MATERIAL: ABS UL94V-0
  3. 25 PIN D SUB HOUSING MATERIAL: PBT GLASS FILLED UL94V-0
  4. 25 PIN D SUB SHELL: TIN PLATE STEEL
  5. MALE D SUB CONTACTS: BRASS SELECTIVE GOLD FLASH OVER NICKEL UNDERPLATE
  6. FOR PIN CONFIGURATION SEE MODULAR JACK PIN I.D.
  7. FOR MATERIALS INCLUDED IN KIT SEE NOTE ON KIT
  8. INNER SHIELD: PHOSPHOR BRONZE WITH NICKEL PLATE

- KIT CONSISTS OF:
- 1-ONE PIECE MODULAR ASSEMBLY WITH COVER
  - 8-TERMINATED MALE CONTACTS ON MULTICOLORED WIRE WITH OPPOSITE ENDS WIRED TO MODULAR JACK
  - 2-THUMBSCREWS INSTALLED IN COVER
  - 1-25 PIN MALE CRIMP STYLE D SUB CONNECTOR

<small>DISCLAIMER: ALL STATEMENTS AND TECHNICAL INFORMATION CONTAINED HEREIN ARE BASED UPON INFORMATION AND/OR TESTS WE BELIEVE TO BE ACCURATE AND RELIABLE. SINCE CONDITIONS OF USE ARE BEYOND OUR CONTROL, THE USER SHALL DETERMINE THE SUITABILITY OF THE PRODUCT FOR THE INTENDED USE AND ASSUME ALL RISK AND LIABILITY WHATSOEVER IN CONNECTION THEREWITH.</small>							
<small>UNLESS OTHERWISE SPECIFIED, DIMENSIONS ARE FOR REFERENCE PURPOSES ONLY.</small>	DRAWN BY:		DATE:		DRAWING TITLE:		
	Jeff McVicker		6/10/02		Modular Telephone Adapter Kit for DB-25 Parts		
	CHECKED BY:		DATE:		SIZE	DWG. NO.	
	Jason Nash		08/24/08		A	SPC19871	
APPROVED BY:		DATE:		ELECTRONIC FILE		REV	
Jason Nash		08/24/08		80K5438.dwg		A	
SCALE: NTS			U.Q.M.: INCHES [mm]		SHEET: 1 OF 1		

SPC-F005.DWG