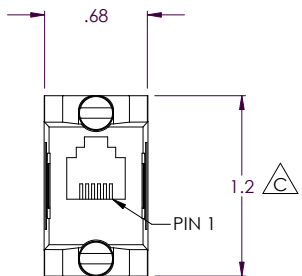
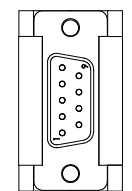
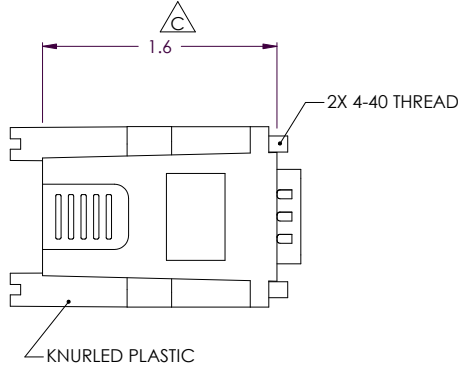


THE INFORMATION CONTAINED IN THIS DRAWING IS THE SOLE PROPERTY OF L-COM, INC. ANY REPRODUCTION IN PART OR WHOLE WITHOUT THE WRITTEN PERMISSION OF L-COM, INC. IS PROHIBITED.

REVISIONS			
REV	DESCRIPTION	DATE	APPROVED
A	RELEASED FOR PRODUCTION	12/14/01	TJC
B	ECN1509: ADDED PRODUCT VALIDATION	9/19/03	DFP
C	ECN1879: UPDATE DIMENSIONS 1.2 WAS 1.21; 1.6 WAS 1.58	10/7/04	DFP



RJ12 JACK
(6 X 6)



MALE 9-POSITION
CRIMP & POKE
D-SUB CONNECTOR

WIRING TABLE	
RJ12	LEAD COLOR
1	WHITE OR GRAY
2	BLACK
3	RED
4	GREEN
5	YELLOW
6	BLUE

SPECIFICATIONS
MOLDED PARTS ARE UL94V-0 RATED

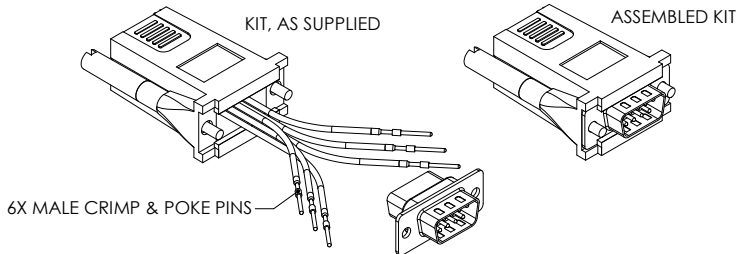
MATERIAL:
HOUSING: MOLDED ABS
COLOR: DARK GRAY

D-SUB
INSULATOR: UL94V-0 THERMOPLASTIC
CONTACTS: GOLD PLATED
SHELL: TIN FINISH

RJ45
CONTACTS: GOLD PLATED, 50 μINCHES

NOTES:

- ADAPTOR KIT PROGRAMMED AS NEEDED BY INSERTING AND SEATING EACH PIN INTO DESIRED POSITION IN D-SUB CONNECTOR.



UNLESS OTHERWISE SPECIFIED
DIMENSIONS ARE IN INCHES
X ± .1
XX ± .05
XXX ± .005
CABLE LENGTH TOLERANCE
<300' ±5% >300' ±2%

APPROVALS	DATE
DRAWN BY TJC	12/14/01
CHECKED BY DFP	12/14/01
APPROVED BY CM	12/14/01

L-com
CONNECTIVITY PRODUCTS

45 BEECHWOOD DRIVE
NORTH ANDOVER, MA
01845

PRODUCT DESCRIPTION
DB9M TO RJ12 MODULAR ADAPTOR

DRAWING TITLE
OUTLINE DRAWING

SIZE **A** FSCM NO. **43321** DWG. NO. **REC096M-OD1** REV. **C**

SCALE: NONE CAD FILE: REC096M-OD1.SLDDRW SHEET 1 OF 1

CONFIGURATION DETAILS OF
UNDIMENSIONED FEATURES
MAY VARY