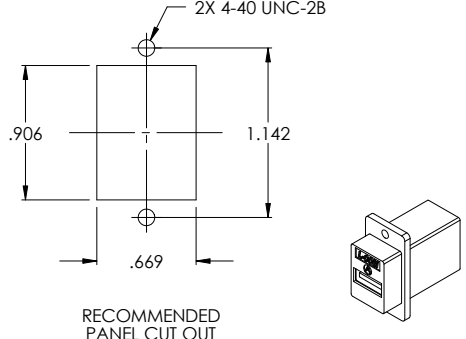
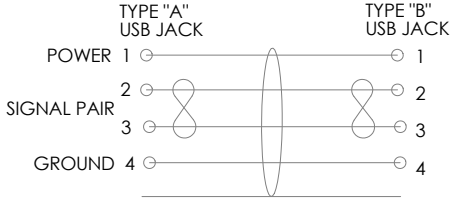
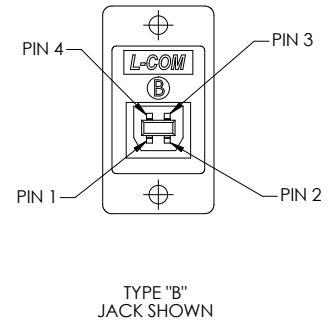
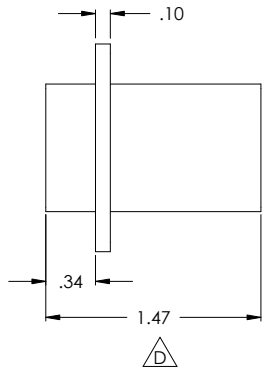
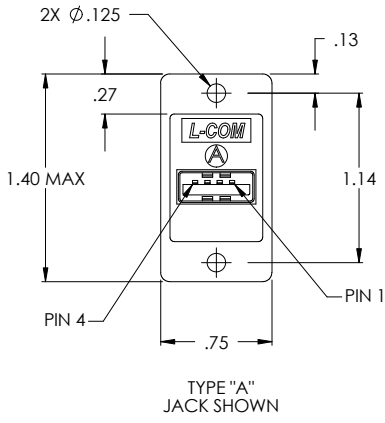


THE INFORMATION CONTAINED IN THIS DRAWING IS THE SOLE PROPERTY OF L-COM, INC. ANY REPRODUCTION IN PART OR WHOLE WITHOUT THE WRITTEN PERMISSION OF L-COM, INC. IS PROHIBITED.

REVISIONS			
REV	DESCRIPTION	DATE	APPROVED
A	RELEASED FOR PRODUCTION	05/04/01	MCCORMICK
B	ECN# 1313 PRODUCT VALIDATION	02/27/03	DFP
C	ECN# 1405 ADDED COMPONENT SPECIFICATION TABLE	12/10/03	MCCORMICK
D	ECN#2082: CORRECTING LENGTH DIM.	05/24/05	MLAHEY



Component Specifications	
Material	
Housing	ABS 94V-0 Rating
Connector	Plastic, PBT with Glass Fiber
Contact	Brass
Shell	Brass
PCB	Epoxy Glass FP-4 94V-0 Rating
Finish	
Housing	Color, Black
Contact	Gold 30 Micro Inch
Shell	Nickel
Electrical	
Current Rating	2 AMP Max
Voltage Rating	140 VDC
Environmental	
Operating Temperature	-20°C to +80°C

CS-134

UNLESS OTHERWISE SPECIFIED, DIMENSIONS ARE IN INCHES. TOLERANCES ARE:
 .XX ±.01
 .XXX ±.005
 CABLE LENGTH TOLERANCE
 <300' ±5% >300' ±2%

APPROVALS		DATE	L-com CONNECTIVITY PRODUCTS 45 BEECHWOOD DRIVE NORTH ANDOVER, MA 01845
DRAWN BY	C.MCCORMICK	05/04/2001	
CHECKED BY	D.PARHAM	05/04/2001	
APPROVED BY	R.CARRICK	05/04/2001	
CONFIGURATION DETAILS OF UNDIMENSIONED FEATURES MAY VARY			PRODUCT DESCRIPTION USB A-B COUPLER, BLACK DRAWING TITLE OUTLINE DRAWING
SIZE	A	FSCM NO. 43321	DWG. NO. ECF504B-UAB-OD1
SCALE	NONE	CAD FILE: ECF504B-UAB-OD1.SLDDRW	REV. D
			SHEET 1 OF 1