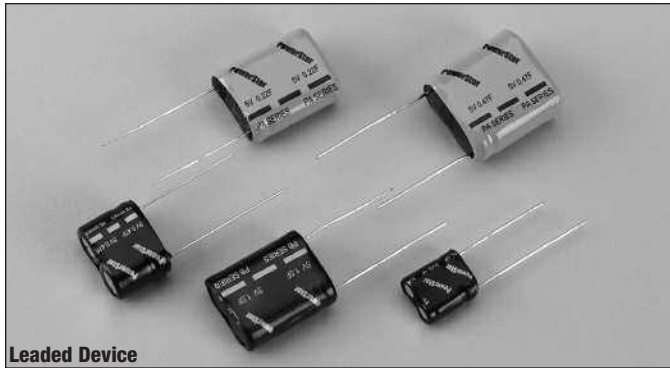


Supercapacitors

P Series



Leaded Device

Description



Cooper Bussmann® PowerStor® supercapacitors are unique, ultra-high capacitance devices utilizing electrochemical double layer capacitor (EDLC) construction combined with new, high performance materials. This combination of advanced technologies allows Cooper Bussmann to offer a wide variety of capacitor solutions tailored to specific applications that range from a few micro-amps for several days to several amps for milliseconds.

The P Series is available in an ultra-low ESR version, PA or a low ESR but higher energy density version, PB.

Series	Features and Benefits		Applications
	Generic	Specific	
PA	5.0 volts Low ESR	Ultra-low ESR	Pulse power Bridge or hold up power
PB	High capacitance Long cycle life Low leakage currents	Low ESR with higher energy density	Bridge or hold up power Memory backup Battery swap out

Specifications

Working Voltage	5.0V
Surge Voltage	6.0V
Nominal Capacitance Range	0.1 to 1.0F
Capacitance Tolerance	-20% to +80% (20°C)
Operating Temperature Range	-25°C to 70°C

Standard Products

Low ESR (PB Series)

Nominal Capacitance (F)	Part Number	Nominal ESR (Ω) (Equivalent Series Resistance) Measured @ 1kHz	Nominal Dimensions	Typical Mass (grams/1 piece)
0.1	PB-5R0V104-R PB-5R0H104-R	10	5.5 x 10.8 x 12.5 mm	1.1
0.47	PB-5R0V474-R PB-5R0H474-R	2	8.5 x 16.8 x 14.0 mm	2.4
1.0	PB-5R0V105-R PB-5R0H105-R	1	8.5 x 16.8 x 21.5 mm	3.5

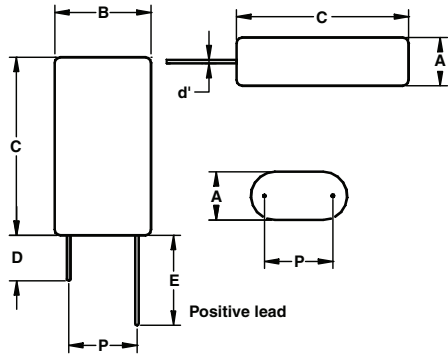
Ultra-Low ESR (PA Series)

0.22	PA-5R0V224-R PA-5R0H224-R	0.30	8.5 x 16.8 x 21.5 mm	3.5
0.47	PA-5R0V474-R PA-5R0H474-R	0.20	10.5 x 20.8 x 22.5 mm	5.4

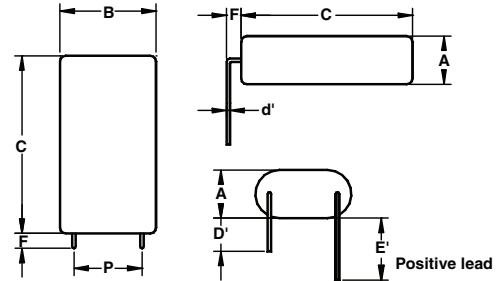
Performance

Parameter	Capacitance Change (% of initial measured value)	ESR (% of initial specified value)
Life (1000 hrs @ 70°C @ 5.0Vdc)	≤ 30	≤ 300
Storage - Low and High Temperature (1000 hrs @ -25°C and 70°C)	≤ 30	≤ 300

Dimensions (mm)										
Part Number	A	B	C	d'	D	D'	E	E'	F	P
PB-5ROV104-R PB-5ROH104-R	6.0	11.3	13.0	0.5	20	15	25	20	2.0	7.3
PB-5ROV474-R PB-5ROH474-R	9.0	17.3	14.5	0.5	20	15	25	20	2.0	11.8
PB-5ROV105-R PB-5ROH105-R	9.0	17.3	22.0	0.5	20	15	25	20	2.0	11.8
PA-5ROV224-R PA-5ROH224-R	9.0	17.3	22.0	0.5	20	15	25	20	2.0	11.8
PA-5ROV474-R PA-5ROH474-R	11.0	21.3	23.0	0.6	20	15	25	20	2.0	5.3
Tolerances	Maximum			± 0.02	Minimum				± 0.5	



Vertical



Horizontal

Part Numbering System						
P		-	5	R	0	<input type="checkbox"/> <input type="checkbox"/> <input type="checkbox"/>
Series Code	Version		Voltage (V) R is decimal		Configuration	Capacitance (µF)
P = Pack	A = Ultra-low ESR - or - B = High Capacitance		5R0 = 5.0V		V = Vertical - or - H = Horizontal	Value Multiplier Example: 474 = 47 x 10 ⁴ µF or 0.47F

Packaging Information

Standard packaging: Bulk, 100 units per package.
Larger bulk packages available upon request.

Part Marking

Manufacturer
Capacitance (F)
Max. Operating Voltage (V)
Series Code
Polarity Marking

North America
Cooper Bussmann
1225 Broken Sound Parkway NW
Suite F
Boca Raton, FL 33487-3533
Tel: 1-561-998-4100
Fax: 1-561-241-6640
Toll Free: 1-888-414-2645

Cooper Bussmann
P.O. Box 14460
St. Louis, MO 63178-4460
Tel: 1-636-394-2877
Fax: 1-636-527-1607

Europe
Cooper Bussmann
Cooper (UK) Limited
Burton-on-the-Wolds
Leicestershire • LE12 5TH UK
Tel: +44 (0) 1509 882 737
Fax: +44 (0) 1509 882 786

Cooper Bussmann
Avda. Santa Eulalia, 290
08223
Terrassa, (Barcelona), Spain
Tel: +34 937 362 812
+34 937 362 813
Fax: +34 937 362 719

Asia Pacific
Cooper Bussmann
1 Jalan Kilang Timor
#06-01 Pacific Tech Centre
Singapore 159303
Tel: +65 278 6151
Fax: +65 270 4160

This bulletin is intended to present product design solutions and technical information that will help the end user with design applications. Cooper Bussmann reserves the right, without notice, to change design or construction of any products and to discontinue or limit distribution of any products. Cooper Bussmann also reserves the right to change or update, without notice, any technical information contained in this bulletin. Once a product has been selected, it should be tested by the user in all possible applications.

Life Support Policy: Cooper Bussmann does not authorize the use of any of its products for use in life support devices or systems without the express written approval of an officer of the Company. Life support systems are devices which support or sustain life, and whose failure to perform, when properly used in accordance with instructions for use provided in the labeling, can be reasonably expected to result in significant injury to the user.

© 2007 Cooper Bussmann
St. Louis, MO 63178
www.cooperbussmann.com

