

Metallized Polypropylene Film Capacitors

Type: **ECWH(A)**

Designed for high frequency and pluse applications.

■ Features

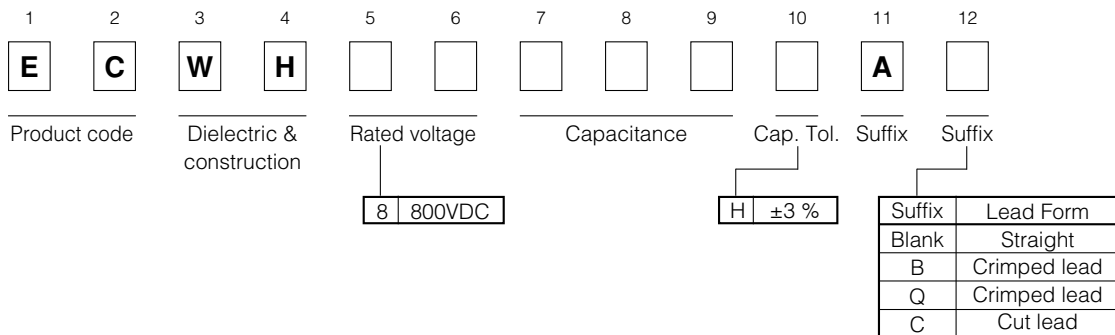
- Small size
- Excellent electrical characteristics
- Low loss
- Low Hum Sound Noise
- Flame-retardant epoxy resin coating
- RoHS directive compliant

■ Recommended Applications

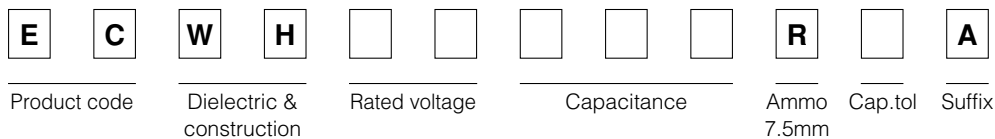
- Resonant circuit, Electronic ballast



■ Explanation of Part Numbers



■ Explanation of Part Number for Odd Size Taping



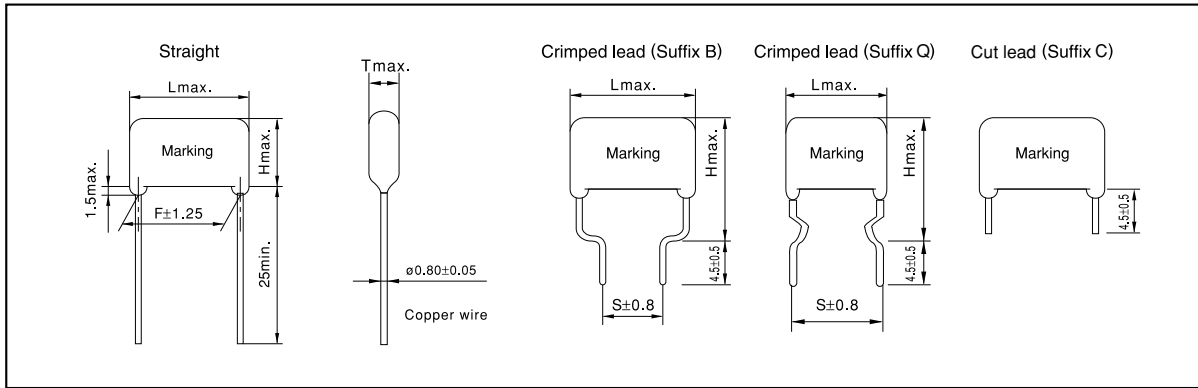
■ Specifications

Category temp. range (Including temperature-rise on unit surface)	-40 °C to +105 °C
Rated voltage	800 VDC
Capacitance range	0.010 μF to 0.047 μF
Capacitance tolerance	±3 % (H)
Dissipation factor (tanδ)	tanδ ≤ 0.1 % (20°C, 1kHz) tanδ ≤ 0.2 % (20°C, 10kHz)
Withstand voltage	Between terminals : Rated volt. (VDC) × 150 % 60 s
Insulation resistance (IR)	IR ≥ 30000 MΩ (20 °C, 500 VDC, 60 s)

* In case of applying voltage in alternating current (50 Hz or 60 Hz sine wave) to a capacitor with DC rated voltage, please refer to the page of "Permissible voltage (R.M.S) in alternating current corresponding to DC rated voltage".

Design, Specifications are subject to change without notice. Ask factory for technical specifications before purchase and/or use. Whenever a doubt about safety arises from this product, please inform us immediately for technical consultation without fail.

■ Dimensions in mm (not to scale)

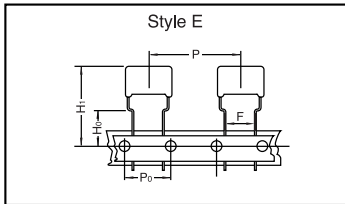


■ Packaging Specifications for Bulk Package

Packing quantity : 100 pcs./bag

■ Taping Specifications for Automatic Insertion

● Taping style



*Refer to the page of taping specifications.

● Packaging Specifications

Type	Rated volt.	Cap. range (µF)	Taping style						Packing
			AD	AS	B	C	D	E	
ECWH(A)	800 VDC	0.010 to 0.047						○	Ammo

*See the column "Rating, Dimensions & Quantity Box" for packing quantity.

● Lead Spacing

Style	Lead Spacing
E	7.5 mm

■ Rating & Dimensions

● Rated voltage : 800 VDC Capacitance tolerance : ±3 % (H)

Part No.	Cap. (µF)	Dimensions (mm)										Min. order Q'ty
		L _{max}	T _{max}	H _{max}			F	S		G _{max}	ød	
				Straight	Crimped lead (Suffix B)	Crimped lead (Suffix Q)		Crimped lead (Suffix B)	Crimped lead (Suffix Q)			
ECWH8103□A()	0.010	15.4	5.4	9.8	14.8	14.8	12.5	7.5	12.5	1.5	0.6	500
ECWH8123□A()	0.012	15.4	5.8	10.2	15.2	15.2	12.5	7.5	12.5	1.5	0.6	
ECWH8153□A()	0.015	15.4	6.2	10.6	15.6	15.6	12.5	7.5	12.5	1.5	0.6	
ECWH8183□A()	0.018	15.7	6.6	11.0	16.0	18.0	12.5	7.5	12.5	1.5	0.8	
ECWH8223□A()	0.022	15.7	7.1	11.5	16.5	18.5	12.5	7.5	12.5	1.5	0.8	400
ECWH8273□A()	0.027	15.7	7.6	12.0	17.0	19.0	12.5	7.5	12.5	1.5	0.8	
ECWH8333□A()	0.033	15.7	8.4	12.8	17.8	19.8	12.5	7.5	12.5	1.5	0.8	300
ECWH8393□A()	0.039	15.7	8.9	13.3	18.3	20.3	12.5	7.5	12.5	1.5	0.8	
ECWH8473□A()	0.047	15.7	9.7	14.1	19.1	21.1	12.5	7.5	12.5	1.5	0.8	

↑ Suffix for lead crimped taped type
 — Capacitance tolerance code