



AC Capacitors for HID Lighting Applications



Proven EIA-456 Compliant

60,000 Hour Reliability Industry Standard



Genteq Capacitors 1946 West Cook Road, Fort Wayne, Indiana 46818 USA
 Phone: (260) 416-5400 Fax: (260) 416-5460 Email: capacitors@regalbeloit.com

www.genteqcapacitors.com



Capacitor Application Data Sheet

To ensure correct selection of a capacitor for your application, please provide the information indicated below. This sheet may be duplicated or additional copies may be obtained from RBC.

Of particular importance are the voltages and current waveforms complete with values of voltage and current over a complete cycle.

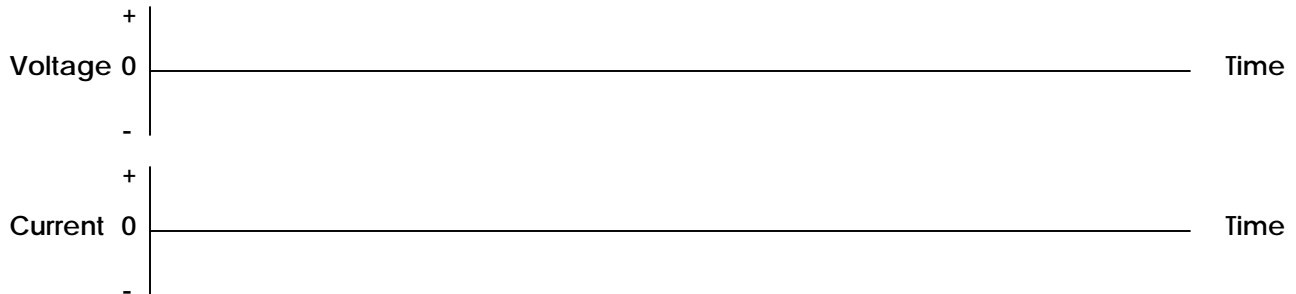
Send this data to your local RBC Sales Representative or directly to:

Genteq Capacitors
1946 West Cook Road
Fort Wayne, Indiana 46818 USA

Phone: (260) 416-5400
Fax: (260) 416-5460
Email: capacitors@regalbeloit.com

PRIMARY INFORMATION (Essential)

1. Application: _____
2. Capacitance: _____ Tolerance: _____
3. Peak Voltage: _____ RMS Voltage: _____
4. Peak Current: _____ RMS Current: _____
5. Transient Voltage: _____ Duration: _____ Freq. Of Occurrence: _____
6. Frequency or Repetition Rate (Hz): _____ Duty Cycle: _____
7. Ambient Temperature: _____ Max.: _____ Min.: _____
8. Capacitor Charge Time: _____ Discharge Time: _____
9. Required Operating Life (Hours): _____
10. Waveforms:



SECONDARY INFORMATION (Provide as Appropriate)

11. Physical Size Limitations: _____
12. Mounting Requirements: _____
13. Applicable Specifications: _____
14. Type of Cooling Available: _____
15. Unusual Atmospheric Conditions: _____
16. Other Special Requirements: _____
17. Number of Samples Required: _____ 18. Potential Usage: _____



Descriptive Information	02
Product Safety	03
HID Lighting Capacitors – GEM III	
Product Specifications	05
Single Ratings – 1 Section	06
Dual Ratings – 2 Sections	12
100°C Max – Single Ratings – 1 Section	16
100°C Max – Dual Ratings – 2 Section	17
Application Data	18
Outline	21
Mounting Hardware	22
Capacitor Label	24
Other Catalogs	25



Genteq Capacitors

Capacitors for HID Lighting Applications

Metallized film capacitors are unsurpassed in terms of size, weight, performance, and reliability for AC applications. Regal-Beloit brings over 60 year of capacitor manufacturing experience to the product lines described in this publication. These capacitors represent the best in product design for long-term reliability and safe operation. Regal-Beloit's materials, product, and process development work continue to provide capacitor users with outstanding total value.

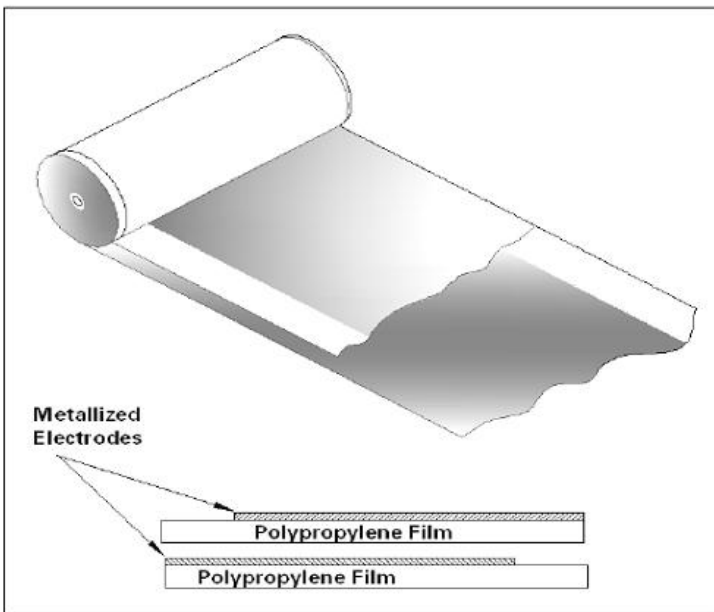
The GEM III HID Lighting Capacitors are designed specifically for HID Lighting applications where the capacitors are used as part of the ballast circuit for mercury vapor, metal halide, and high-pressure sodium lamps. The units are designed to operate at temperatures up to 90°C, which is the normal requirement for HID ballast capacitors. Due to advances in material technology and breakthroughs in proprietary capacitor manufacturing processes, selected ratings are now available for operation up to 100°C for 60,000 hours.

GEM III Construction

Regal-Beloit's GEM III capacitors are manufactured with high-grade metallized polypropylene film. This film is in the range of 5 to 10 microns thick, depending on the application, voltage, and conditions. The metallized electrode is several hundred angstroms thick.

The film is wound into capacitor rolls on high-speed, high-precision machines. The winding is extremely tight so that there is not enough space between the layers for corona (localized partial electrical discharges) to occur. The rolls are sprayed on both ends with metal to make the connection to the extremely thin edges of the metallized electrodes. This process is critical to the quality and performance of the capacitors.

The rolls are assembled in metal cases, Regal-Beloit's proprietary Dielektrol VI liquid is introduced under vacuum, and the capacitors are sealed. They are then subjected to 100% electrical testing for capacitance, dissipation factor, and high potential electrical withstand, both terminal-to-terminal and terminal-to-case.



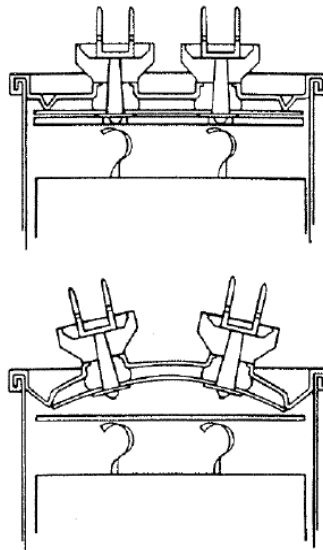
Pressure Sensitive Interrupter

All the capacitors listed in this publication contain Regal-Beloit's Pressure Sensitive Interrupter (PSI). This device, developed by GE, is designed to sense the build-up of pressure within the capacitor if a fault occurs and to interrupt the internal electrical connections before the case can rupture.

The PSI carries U.L.* recognition for applications where the specified fault currents are not exceeded. The fault current is the maximum current that is available from the circuit to flow through the capacitor if the capacitor were to become a short circuit with zero impedance. **It is the responsibility of the capacitor user to determine what the available fault current is for a particular application.**

In the Catalog Number listings a four character U.L. Code, Pxxx, is given. This number is part of the listing for Regal-Beloit in U.L. File No. E322597. When applying to U.L. for approvals or recognition of equipment using these capacitors refer to the Pxxx number and not the Catalog Number of the capacitor in question.

Proper operation of the PSI requires that the cover be able to expand without restriction. The following mounting considerations should be noted in mounting the these capacitors.

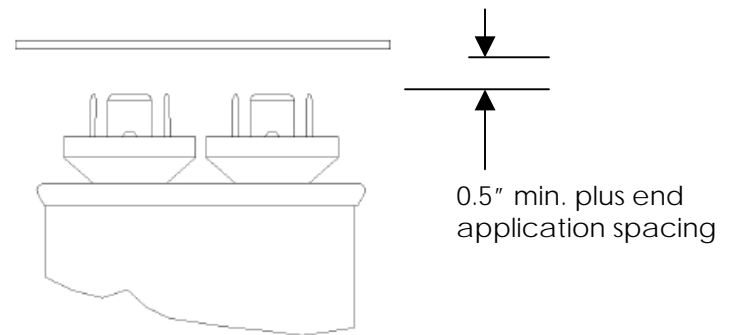


*Underwriter's Laboratory

Mounting Considerations

Vertical Clearance

There must be sufficient clearance between the tops of the terminals (and/or the assembled wire connectors) and a plane perpendicular to the capacitor terminals. This clearance must be at least 0.5 inches plus the electrical spacing requirements of the end application.

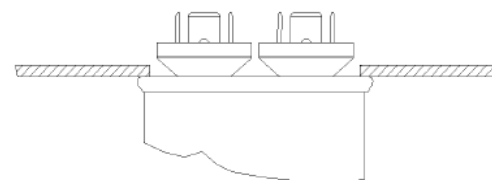
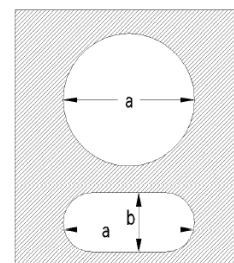


Cut-Out Clearance

In certain instances, capacitors are mounted with the top of the capacitor case resting against the chassis and the terminals protruding through the chassis. Care must be taken to see that the cutout in the chassis is large enough. The following dimensions are recommended.

Case Style	a	b
A	2.00	1.00
B	2.25	1.25
C	2.50	1.62
D	3.25	1.62

Case Style	a
P	1.62
S	1.88
T	2.38



This capacitor series is **designed specifically for the HID Lighting applications** where the capacitors are used as part of the ballast circuit for mercury vapor, metal halide, and high-pressure sodium lamps. The units are designed to **operate at up to 90°C**, which is the normal requirement for HID ballast capacitors. Due to advances in material technology and breakthroughs in proprietary capacitor manufacturing processes, **selected ratings** are now available for operation up to **100°C** for 60,000 hours. If there are **any questions** regarding the correct application of these products, please **contact your RBC sales representative**.

SPECIFICATIONS:

- Available Capacitance Range:** 5 to 60µF
- Capacitance Tolerance:** ±3%
- Capacitance Variation with Temperature:** See Chart L-3 on page 20.
- Rated Voltage:** See Rating Tables.
- Leakage Current:** 30µA maximum
- Frequency:** 50/60 Hz.
- Operating Temperature:** -40°C to +90°C and up to 100°C MAX on selected ratings (See page 16 & 17)
- Storage Temperature:** -40°C to +90°C
- Operating Life:** 60,000 hours with 90% survival
- Dissipation Factor:** 0.1% maximum
- Case Material/Finish:** Unpainted Aluminum case, terne plate steel cover.
- Terminations:** ‘Combo’ terminal: 0.250” x 0.031” quick connect blades plus a solderable fork on each terminal.
- Dielectric Fluid:** Dielektrol VI
- Internal Protection:** UL recognized Pressure Sensitive Interrupter. The UL Code Numbers in the Ratings Tables are the numbers listed under Regal-Beloit’s UL File No. E322597. When including these capacitors in a UL submittal, use this ‘Pxxx’ numbers **not** the Catalog Number. The generic UL designations corresponding to the Regal-Beloit numbers are given below. This number includes the Available Fault Current (AFC) ratings. All these capacitors are capable of interrupting available fault currents of up to **10,000 amperes**.

Case Style	RBC Code	Generic UL Code
A	P921	A10000AFC
B	P922	B10000AFC
C	P923	C10000AFC
D	P924	D10000AFC
P	P965	P10000AFC
S	P968	S10000AFC

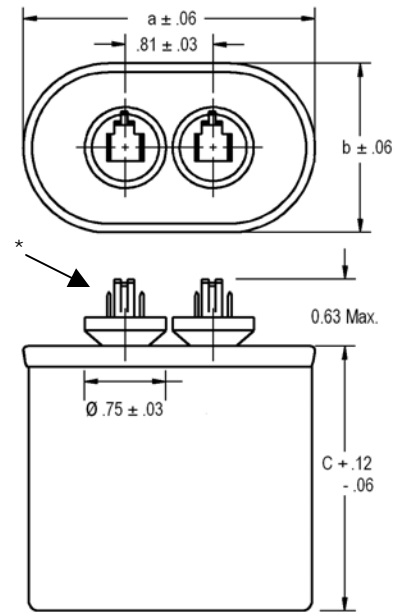


HID Lighting Capacitors – GEM III

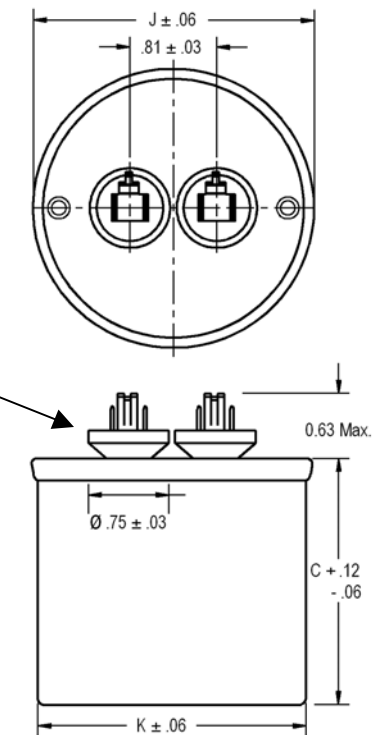
Single Ratings – 1 Section

Voltage (VAC)	Capacitance (µF)	Catalog Number	Case Style	Base Size (in.)	Can Type	Height C (in.)	UL Code
280	6.0	97F6801	A	1.25	Oval	2.12	P921
	8.0	97F6857	A	1.25	Oval	2.88	P921
	10.0	97F6858	A	1.25	Oval	2.88	P921
	10.0	97F6805	B	1.50	Oval	2.12	P922
	12.0	97F6871	A	1.25	Oval	3.88	P921
	15.0	97F6860	B	1.50	Oval	2.88	P922
	17.5	97F6812	B	1.50	Oval	2.88	P922
	20.0	97F6861	B	1.50	Oval	3.88	P922
	20.0	97F6862	C	1.75	Oval	2.88	P923
	22.5	97F6855	B	1.50	Oval	3.88	P922
	24.0	97F6873	B	1.50	Oval	3.88	P922
	24.0	97F6864	C	1.75	Oval	2.88	P923
	26.0	97F6868	B	1.50	Oval	2.88	P922
	28.0	97F6824	B	1.50	Oval	3.88	P922
	28.0	97F6823	C	1.75	Oval	2.88	P923
	29.0	97F6846	B	1.50	Oval	3.88	P922
	34.0	97F6854	B	1.50	Oval	3.88	P922
	35.0	97F6865	C	1.75	Oval	3.88	P923
	40.0	97F6866	C	1.75	Oval	3.88	P923
	42.0	97F6869	B	1.50	Oval	3.88	P922
	45.0	97F6850	C	1.75	Oval	3.88	P923
	48.0	97F6836	C	1.75	Oval	3.88	P923
	48.0	97F6872	D	2.00	Oval	2.88	P924
	52.0	97F6867	D	2.00	Oval	3.88	P924
	22.5	97F6516	P	1.75	Round	2.88	P965
	24.0	97F6522	P	1.75	Round	2.88	P965
	30.0	97F6533	P	1.75	Round	3.88	P965
	35.0	97F6538	P	1.75	Round	3.88	P965
38.0	97F6509	P	1.75	Round	3.88	P965	
40.0	97F6530	P	1.75	Round	3.88	P965	
45.0	97F6540	S	2.00	Round	3.88	P968	
48.0	97F6541	S	2.00	Round	3.88	P968	

Case Style A, B, C, and D



Case Style P, S, and T



Case Style	a	b
A	2.16	1.31
B	2.69	1.56
C	2.91	1.91
D	3.66	1.97

Case Style	K	J
P	1.75	1.88
S	2.00	2.12

*(2) .250 x .031 Blades & Fork per terminal

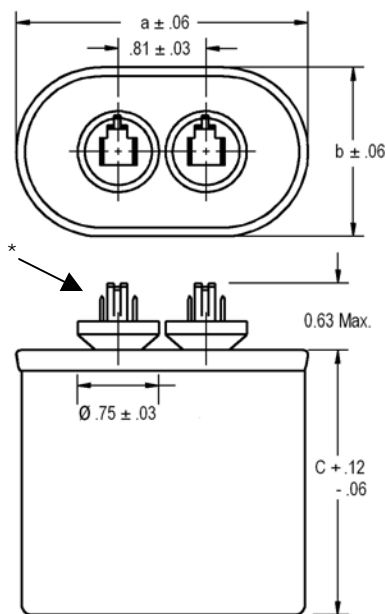
*It is Regal-Beloit's goal to serve you with the most cost effective and highest quality capacitor designs. Standardization to the catalog type shown is a major program at Regal-Beloit. However, Regal-Beloit remains sensitive to your needs and requirements, and will continue to offer the above ratings (and more) in case configurations to meet your application(s).



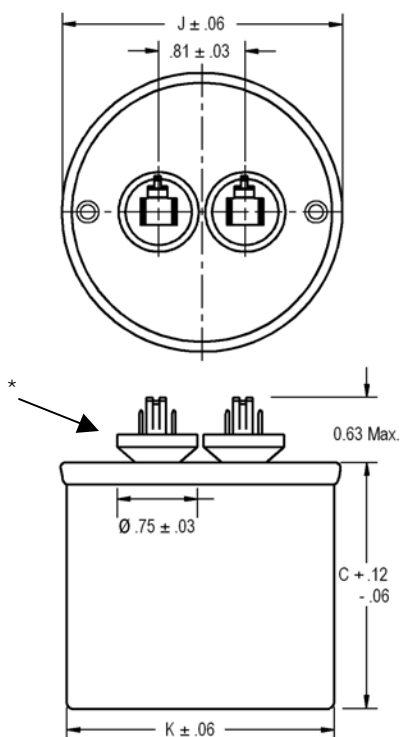
HID Lighting Capacitors – GEM III

Single Ratings – 1 Section

Case Style A, B, C, and D



Case Style P, S, and T



Voltage (VAC)	Capacitance (µF)	Catalog Number	Case Style	Base Size (in.)	Can Type	Height C (in.)	UL Code
330	2.5	97F6788	A	1.25	Oval	2.12	P921
	5.0	97F6764	A	1.25	Oval	2.88	P921
	6.0	97F6765	A	1.25	Oval	2.88	P921
	7.0	97F6766	A	1.25	Oval	2.88	P921
	8.0	97F6703	A	1.25	Oval	2.88	P921
	10.0	97F6763	A	1.25	Oval	3.88	P921
	10.0	97F6767	B	1.50	Oval	2.88	P922
	11.0	97F6762	B	1.50	Oval	2.88	P922
	12.0	97F6746	A	1.25	Oval	3.88	P921
	12.0	97F6760	B	1.50	Oval	2.88	P922
	13.0	97F6708	B	1.50	Oval	2.88	P922
	13.5	97F6749	B	1.50	Oval	2.88	P922
	14.0	97F6768	B	1.50	Oval	2.88	P922
	15.0	97F6758	B	1.50	Oval	3.88	P922
	16.0	97F6769	B	1.50	Oval	3.88	P922
	17.5	97F6761	B	1.50	Oval	3.88	P922
	17.5	97F6770	C	1.75	Oval	2.88	P923
	18.0	97F6771	B	1.50	Oval	3.88	P922
	18.0	97F6779	C	1.75	Oval	2.88	P923
	19.0	97F6715	B	1.50	Oval	3.88	P922
	20.0	97F6716	B	1.50	Oval	3.88	P922
	21.0	97F6745	B	1.50	Oval	3.88	P922
	22.5	97F6773	C	1.75	Oval	3.88	P923
	24.0	97F6759	B	1.50	Oval	3.88	P922
24.0	97F6774	C	1.75	Oval	3.88	P923	
26.0	97F6755	B	1.50	Oval	3.88	P922	
28.0	97F6776	C	1.75	Oval	3.88	P923	
29.0	97F6780	C	1.75	Oval	3.88	P923	
30.0	97F6726	C	1.75	Oval	3.88	P923	
32.0	97F6727	C	1.75	Oval	3.88	P923	
34.0	97F6757	C	1.75	Oval	3.88	P923	
36.0	97F6784	C	1.75	Oval	3.88	P923	
45.0	97F6778	D	2.00	Oval	3.88	P924	
7.0	97F6531	P	1.75	Round	2.88	P965	
8.0	97F6518	P	1.75	Round	2.88	P965	
10.0	97F6515	P	1.75	Round	2.88	P965	
14.0	97F6506	P	1.75	Round	2.88	P965	
15.0	97F6504	P	1.75	Round	2.88	P965	
16.0	97F6519	P	1.75	Round	2.88	P965	
17.5	97F6505	P	1.75	Round	2.88	P965	
24.0	97F6537	P	1.75	Round	3.88	P965	
28.0	97F6521	P	1.75	Round	3.88	P965	

Case Style	a	b
A	2.16	1.31
B	2.69	1.56
C	2.91	1.91
D	3.66	1.97

Case Style	K	J
P	1.75	1.88
S	2.00	2.12

*(2) .250 x .031 Blades & Fork per terminal

*It is Regal-Beloit's goal to serve you with the most cost effective and highest quality capacitor designs. Standardization to the catalog type shown is a major program at Regal-Beloit. However, Regal-Beloit remains sensitive to your needs and requirements, and will continue to offer the above ratings (and more) in case configurations to meet your application(s).

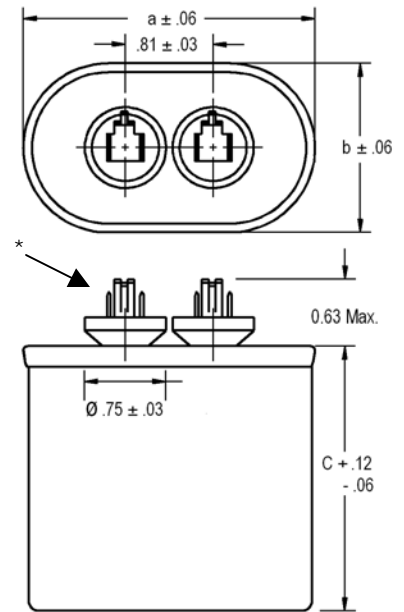


HID Lighting Capacitors – GEM III

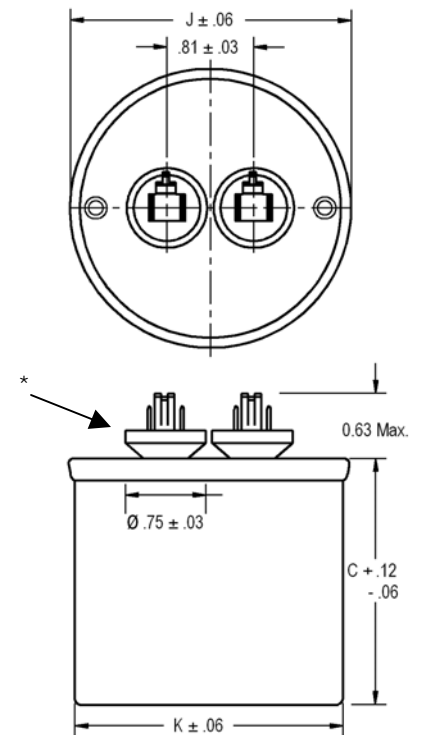
Single Ratings – 1 Section

Voltage (VAC)	Capacitance (µF)	Catalog Number	Case Style	Base Size (in.)	Can Type	Height C (in.)	UL Code
400	7.5	97F6656	A	1.25	Oval	3.88	P921
	10.0	97F6601	A	1.25	Oval	3.88	P921
	10.0	97F6606	B	1.50	Oval	2.88	P922
	12.0	97F6659	B	1.50	Oval	3.88	P922
	12.0	97F6660	C	1.75	Oval	2.88	P923
	13.0	97F6698	B	1.50	Oval	3.88	P922
	14.0	97F6661	C	1.75	Oval	2.88	P923
	15.0	97F6602	B	1.50	Oval	3.88	P922
	15.0	97F6621	C	1.75	Oval	2.88	P923
	18.0	97F6658	C	1.75	Oval	2.88	P923
	24.0	97F6622	C	1.75	Oval	3.88	P923
	24.0	97F6623	D	2.00	Oval	2.88	P924
	26.0	97F6926	B	1.50	Oval	3.88	P922
	10.0	97F6526	P	1.75	Round	2.88	P965
	14.0	97F6539	P	1.75	Round	2.88	P965
	15.0	97F6517	P	1.75	Round	2.88	P965
24.0	97F6535	P	1.75	Round	3.88	P965	
26.0	27L709	S	2.00	Round	3.88	P968	

Case Style A, B, C, and D



Case Style P, S, and T



Case Style	a	b
A	2.16	1.31
B	2.69	1.56
C	2.91	1.91
D	3.66	1.97

Case Style	K	J
P	1.75	1.88
S	2.00	2.12

*(2) .250 x .031 Blades & Fork per terminal

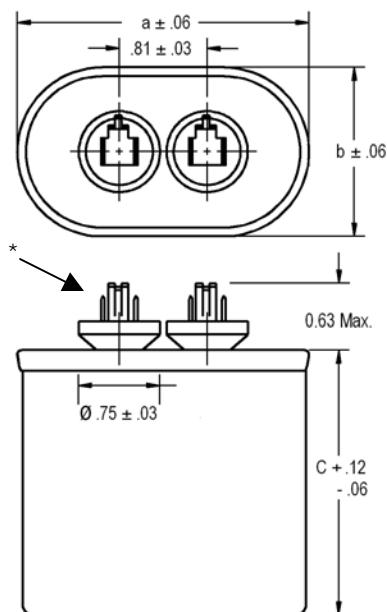
*It is Regal-Beloit's goal to serve you with the most cost effective and highest quality capacitor designs. Standardization to the catalog type shown is a major program at Regal-Beloit. However, Regal-Beloit remains sensitive to your needs and requirements, and will continue to offer the above ratings (and more) in case configurations to meet your application(s).



HID Lighting Capacitors – GEM III

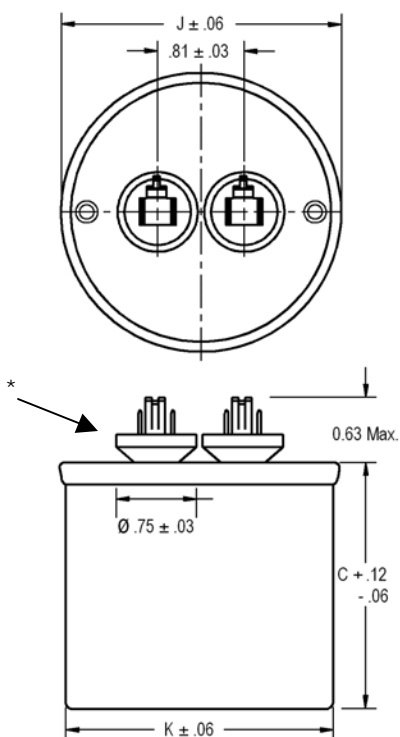
Single Ratings – 1 Section

Case Style A, B, C, and D



Voltage (VAC)	Capacitance (µF)	Catalog Number	Case Style	Base Size (in.)	Can Type	Height C (in.)	UL Code
480	3.0	97F6676	A	1.25	Oval	2.88	P921
	4.0	97F6677	A	1.25	Oval	2.88	P921
	4.5	97F6678	A	1.25	Oval	2.88	P921
	5.0	97F6681	A	1.25	Oval	2.88	P921
	6.5	97F6695	A	1.25	Oval	3.88	P921
	8.5	97F6692	B	1.50	Oval	2.88	P922
	10.0	97F6907	B	1.50	Oval	3.88	P922
	12.0	97F6674	B	1.50	Oval	3.88	P922
	14.0	97F6673	B	1.50	Oval	3.88	P922
	15.0	97F6685	B	1.50	Oval	3.88	P922
	16.0	97F6675	C	1.75	Oval	3.88	P923
	20.0	97F6694	C	1.75	Oval	3.88	P923
	21.0	97F6683	C	1.75	Oval	3.88	P923
	24.0	97F6680	C	1.75	Oval	3.88	P923
	24.0	97F6679	D	2.00	Oval	2.88	P924
	28.0	97F6918	C	1.75	Oval	4.75	P923

Case Style P, S, and T



Case Style	a	b
A	2.16	1.31
B	2.69	1.56
C	2.91	1.91
D	3.66	1.97

Case Style	K	J
P	1.75	1.88
S	2.00	2.12

*(2) .250 x .031 Blades & Fork per terminal

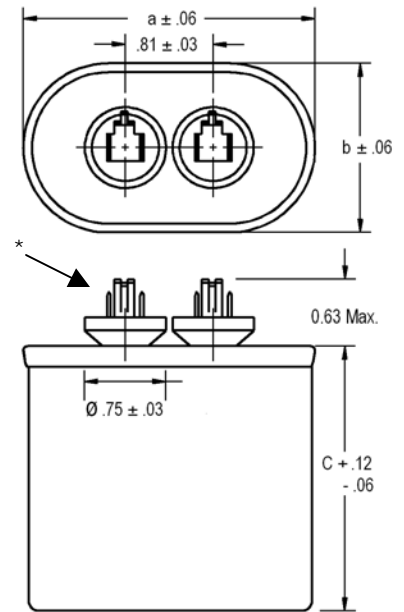
*It is Regal-Beloit's goal to serve you with the most cost effective and highest quality capacitor designs. Standardization to the catalog type shown is a major program at Regal-Beloit. However, Regal-Beloit remains sensitive to your needs and requirements, and will continue to offer the above ratings (and more) in case configurations to meet your application(s).

HID Lighting Capacitors – GEM III

Single Ratings – 1 Section

Voltage (VAC)	Capacitance (µF)	Catalog Number	Case Style	Base Size (in.)	Can Type	Height C (in.)	UL Code
540	7.5	27L176	B	1.50	Oval	2.88	P962
	10.5	97F6935	C	1.75	Oval	2.88	P963
	13.0	97F6924	B	1.50	Oval	3.88	P962
	16.0	97F6919	C	1.75	Oval	3.88	P963
	16.0	97F6920	B	1.50	Oval	3.88	P962
	18.0	97F6933	C	1.75	Oval	3.88	P963
	22.5	97F6951	C	1.75	Oval	4.75	P963
	22.5	97F6956	D	2.00	Oval	3.88	P964
	26.0	97F6934	D	2.00	Oval	3.88	P964
	32.0	97F6923	D	2.00	Oval	3.88	P964
	35.0	97F6940	D	2.00	Oval	4.75	P964
	36.0	97F6952	D	2.00	Oval	4.75	P964

Case Style A, B, C, and D



Case Style	a	b
A	2.16	1.31
B	2.69	1.56
C	2.91	1.91
D	3.66	1.97

*(2) .250 x .031 Blades & Fork per terminal

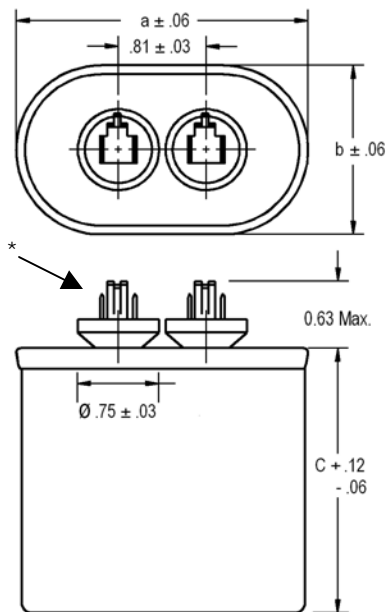
*It is **Regal-Beloit's goal** to serve you with the **most cost effective** and **highest quality capacitor** designs. Standardization to the catalog type shown is a major program at Regal-Beloit. However, Regal-Beloit remains sensitive to your needs and requirements, and **will continue to offer the above ratings (and more) in case configurations to meet your application(s).**



HID Lighting Capacitors – GEM III

Single Ratings – 1 Section

Case Style A, B, C, and D



Voltage (VAC)	Capacitance (µF)	Catalog Number	Case Style	Base Size (in.)	Can Type	Height C (in.)	UL Code
580	8.0	27L791	B	1.50	Oval	3.88	P962
	10.0	97F6930	B	1.50	Oval	3.88	P962
	14.5	97F6948	B	1.50	Oval	3.88	P962
	20.0	97F6931	C	1.75	Oval	4.75	P963
	21.0	97F6946	C	1.75	Oval	4.75	P963
	24.0	97F6945	C	1.75	Oval	4.75	P963
	26.0	97F6921	C	1.75	Oval	4.75	P963

Case Style	a	b
A	2.16	1.31
B	2.69	1.56
C	2.91	1.91
D	3.66	1.97

*(2) .250 x .031 Blades & Fork per terminal

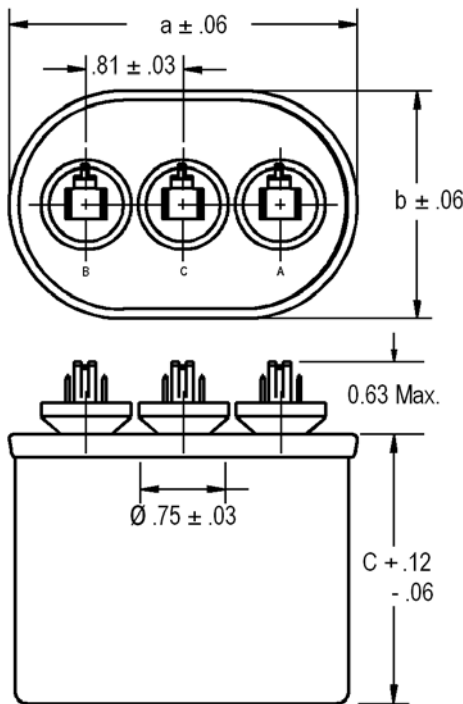
*It is **Regal-Beloit's goal** to serve you with the **most cost effective** and **highest quality capacitor** designs. Standardization to the catalog type shown is a major program at Regal-Beloit. However, Regal-Beloit remains sensitive to your needs and requirements, and **will continue to offer the above ratings (and more) in case configurations to meet your application(s).**

HID Lighting Capacitors – GEM III

Dual Ratings – 2 Sections

Voltage (VAC)	Capacitance		Catalog Number	Case Style	Base Size (in.)	Can Type	Height C (in.)	UL Code
	Main (µF)	Aux (µF)						
280	8.5	3.5	27L382	C	1.75	Oval	2.12	P923
	18.0	6.0	27L430	C	1.75	Oval	2.88	P923
	18.0	10.0	97F6890	C	1.75	Oval	2.88	P923
	20.0	8.0	25L6755	C	1.75	Oval	2.88	P923
	20.0	12.0	97F6880	C	1.75	Oval	2.88	P923
	20.0	15.0	97F6878	C	1.75	Oval	3.88	P923
	22.0	7.0	27L432	C	1.75	Oval	2.88	P923
	24.0	4.0	97F6691	C	1.75	Oval	2.88	P923
	24.0	8.0	97F6882	C	1.75	Oval	2.88	P923
	24.0	11.0	27L724	C	1.75	Oval	3.88	P923
	27.0	8.0	97F6886	C	1.75	Oval	3.88	P923
	28.0	7.0	27L442	C	1.75	Oval	2.88	P923
	33.0	15.0	97F6884	C	1.75	Oval	3.88	P923
	35.0	13.0	25L6753	C	1.75	Oval	3.88	P923
	35.0	20.0	27L55	D	2.00	Oval	3.88	P924
	36.0	12.0	97F6885	C	1.75	Oval	3.88	P923
	36.0	20.0	97F6883	C	1.75	Oval	4.75	P923
	38.0	17.0	97F6887	C	1.75	Oval	3.88	P923
	40.0	15.0	27L573	C	1.75	Oval	3.88	P923
	42.0	14.0	97F6881	C	1.75	Oval	3.88	P923
42.0	22.0	27L705	D	2.00	Oval	3.88	P924	

Case Style C and D



Case Style	a	b
C	2.91	1.91
D	3.66	1.97

MAIN SECTION: C to A
AUXILIARY SECTION: B to C

*It is Regal-Beloit's goal to serve you with the most cost effective and highest quality capacitor designs. Standardization to the catalog type shown is a major program at Regal-Beloit. However, Regal-Beloit remains sensitive to your needs and requirements, and will continue to offer the above ratings (and more) in case configurations to meet your application(s).

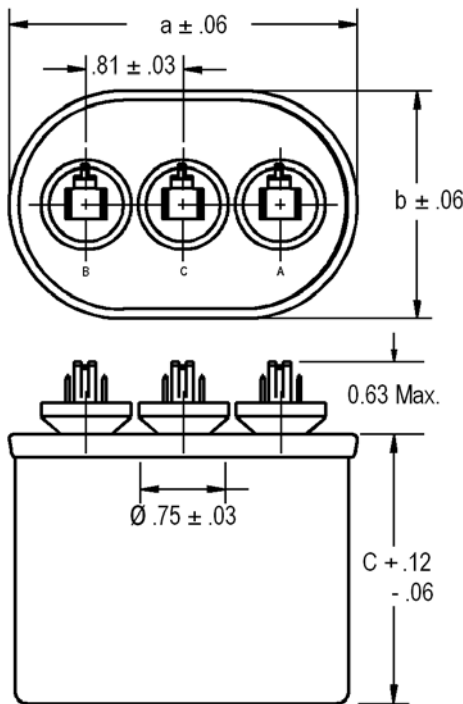


HID Lighting Capacitors – GEM III

Dual Ratings – 2 Sections

Voltage (VAC)	Capacitance		Catalog Number	Case Style	Base Size (in.)	Can Type	Height C (in.)	UL Code
	Main (µF)	Aux (µF)						
300	19.0	7.0	27L630	C	1.75	Oval	2.88	P923
	20.0	8.0	27L401	C	1.75	Oval	3.88	P923
	24.0	8.0	27L402	C	1.75	Oval	3.88	P923
	24.0	11.0	27L590	C	1.75	Oval	3.88	P923
	25.0	10.0	27L470	C	1.75	Oval	3.88	P923
	26.0	9.0	27L400	C	1.75	Oval	3.88	P923
	35.0	15.0	27L591	C	1.75	Oval	4.75	P923
	35.0	16.0	27L413	C	1.75	Oval	4.75	P923
	37.0	11.0	27L444	C	1.75	Oval	4.25	P923
	45.0	19.0	27L727	D	2.00	Oval	4.75	P924

Case Style C and D



Case Style	a	b
C	2.91	1.91
D	3.66	1.97

MAIN SECTION: C to A
 AUXILIARY SECTION: B to C

*It is Regal-Beloit's goal to serve you with the most cost effective and highest quality capacitor designs. Standardization to the catalog type shown is a major program at Regal-Beloit. However, Regal-Beloit remains sensitive to your needs and requirements, and will continue to offer the above ratings (and more) in case configurations to meet your application(s).

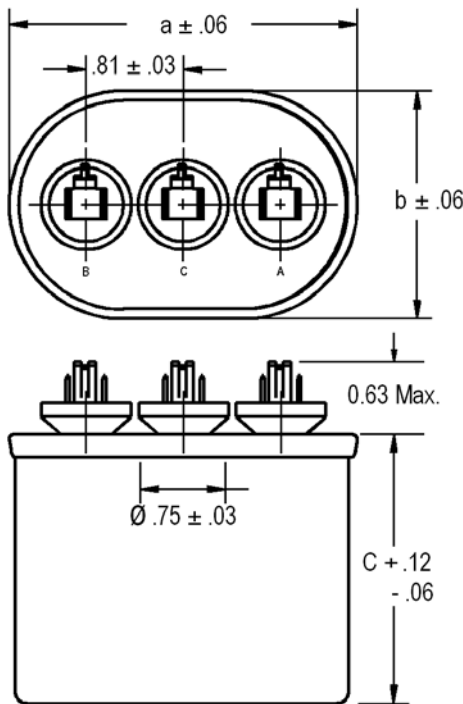


HID Lighting Capacitors – GEM III

Dual Ratings – 2 Sections

Voltage (VAC)	Capacitance		Catalog Number	Case Style	Base Size (in.)	Can Type	Height C (in.)	UL Code
	Main (µF)	Aux (µF)						
330	9.5	6.5	27L543	C	1.75	Oval	2.88	P923
	10.5	8.0	27L542	C	1.75	Oval	2.88	P923
	11.5	7.0	27L850	C	1.75	Oval	3.88	P923
	14.0	10.5	27L541	C	1.75	Oval	2.88	P923
	15.0	11.0	27L539	C	1.75	Oval	3.88	P923
	16.5	11.5	27L540	C	1.75	Oval	3.88	P923
	18.0	10.0	27L827	C	1.75	Oval	3.88	P923
	33.0	15.0	27L476	D	2.00	Oval	3.88	P924
	39.0	13.0	27L600	C	1.75	Oval	4.75	P923
	45.0	19.0	27L562	C	1.75	Oval	5.75	P923

Case Style C and D



Case Style	a	b
C	2.91	1.91
D	3.66	1.97

MAIN SECTION: C to A
 AUXILIARY SECTION: B to C

*It is Regal-Beloit's goal to serve you with the most cost effective and highest quality capacitor designs. Standardization to the catalog type shown is a major program at Regal-Beloit. However, Regal-Beloit remains sensitive to your needs and requirements, and will continue to offer the above ratings (and more) in case configurations to meet your application(s).

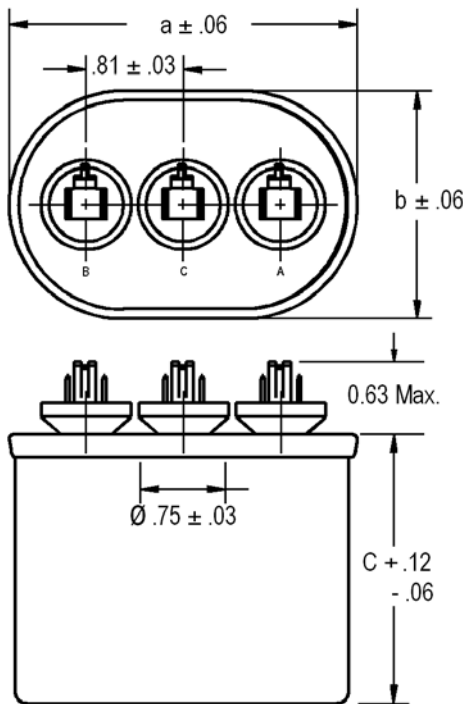


HID Lighting Capacitors – GEM III

Dual Ratings – 2 Sections

Voltage (VAC)	Capacitance		Catalog Number	Case Style	Base Size (in.)	Can Type	Height C (in.)	UL Code
	Main (µF)	Aux (µF)						
400	7.0	3.0	25L6252	C	1.75	Oval	2.12	P923
	8.0	2.0	97F6960	C	1.75	Oval	2.12	P923
	10.0	5.0	27L589	C	1.75	Oval	2.88	P923
	11.5	3.0	97F6927	C	1.75	Oval	2.88	P923
	12.0	12.0	97F6950	C	1.75	Oval	3.88	P923
	15.0	6.0	27L865	C	1.75	Oval	3.88	P923
	15.0	7.5	27L797	C	1.75	Oval	3.88	P923
	15.0	9.0	27L973	C	1.75	Oval	3.88	P923
	15.0	10.0	27L427	C	1.75	Oval	2.88	P923
	16.0	10.0	27L531	C	1.75	Oval	3.88	P923
	17.0	7.0	27L443	C	1.75	Oval	3.88	P923
	20.0	4.0	27L729	C	1.75	Oval	3.88	P923
	20.0	6.0	27L480	C	1.75	Oval	3.88	P923
	20.0	8.0	27L576	C	1.75	Oval	3.88	P923
	24.0	10.0	27L853	C	1.75	Oval	3.88	P923
	24.0	15.0	27L428	C	1.75	Oval	3.88	P923
	26.0	15.0	27L53	C	1.75	Oval	3.88	P923
	30.0	18.0	27L68	D	2.00	Oval	3.88	P924
	35.0	24.0	27L862	D	2.00	Oval	3.88	P924
	42.0	22.0	27L667	D	2.00	Oval	3.88	P924

Case Style C and D



Case Style	a	b
C	2.91	1.91
D	3.66	1.97

MAIN SECTION: C to A
 AUXILIARY SECTION: B to C

*It is **Regal-Beloit's** goal to serve you with the **most cost effective** and **highest quality capacitor** designs. Standardization to the catalog type shown is a major program at Regal-Beloit. However, Regal-Beloit remains sensitive to your needs and requirements, and **will continue to offer the above ratings (and more) in case configurations to meet your application(s).**

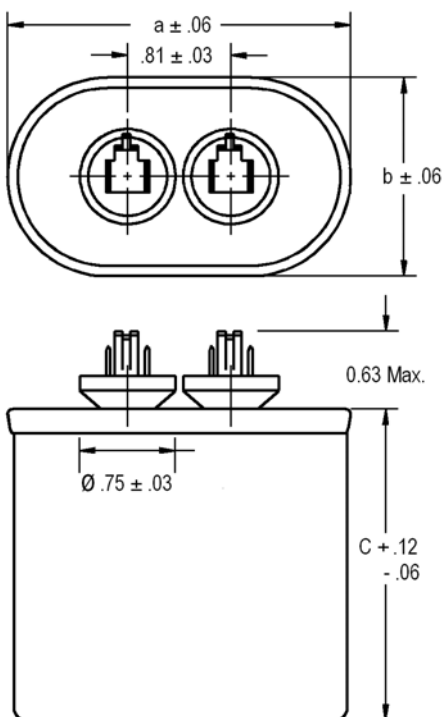


HID Lighting Capacitors – GEM III

100°C Max – Single Ratings – 1 Section

Voltage (VAC)	Capacitance (μF)	Catalog Number	Case Style	Base Size (in.)	Can Type	Height C (in.)	UL Code
280	48.0	27L7000	C	1.75	Oval	3.88	P923
330	14.0	27L7002	A	1.25	Oval	3.12	P921
330	26.0	27L7003	C	1.75	Oval	2.88	P923
360	24.0	27L7004	C	1.75	Oval	3.12	P923
400	10.0	27L7001	C	1.75	Oval	2.88	P922
400	24.0	27L7009	C	1.75	Oval	3.12	P923

Case Style A and C

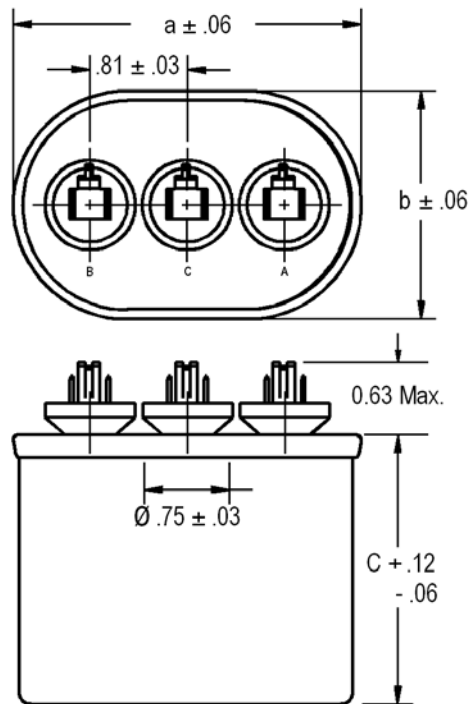


Case Style	a	b
A	2.16	1.31
C	2.91	1.91

*It is **Regal-Beloit's goal** to serve you with the **most cost effective** and **highest quality capacitor** designs. Standardization to the catalog type shown is a major program at Regal-Beloit. However, Regal-Beloit remains sensitive to your needs and requirements, and **will continue to offer the above ratings (and more) in case configurations to meet your application(s).**

Voltage (VAC)	Capacitance		Catalog Number	Case Style	Base Size (in.)	Can Type	Height C (in.)	UL Code
	Main (µF)	Aux. (µF)						
280	36.0	12.0	27L7005	C	1.75	Oval	3.88	P923
330	11.0	6.0	27L7008	C	1.75	Oval	3.88	P923
330	18.0	8.0	27L7007	C	1.75	Oval	2.88	P923

Case Style C



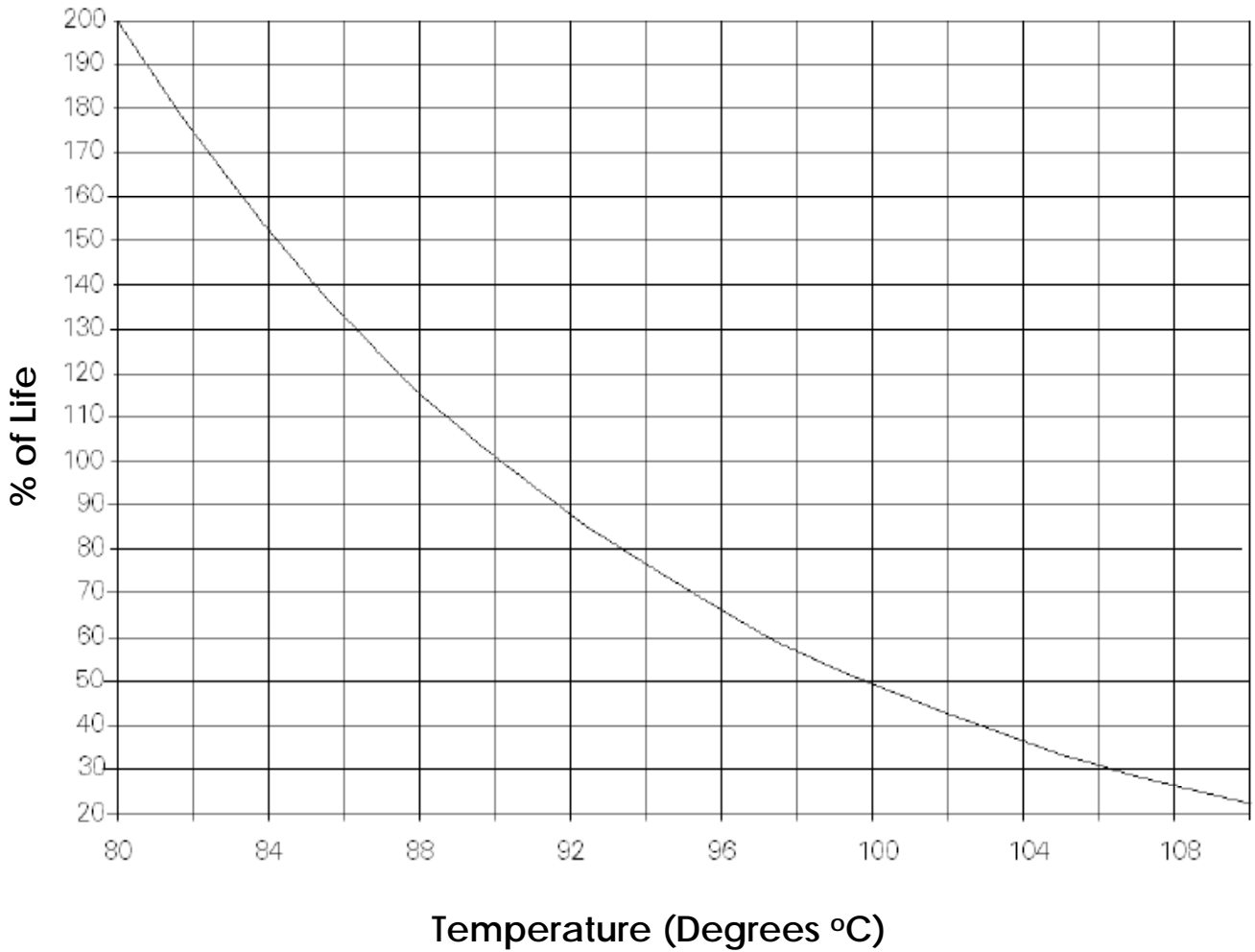
Case Style	a	b
C	2.91	1.91
D	3.66	1.97

MAIN SECTION: C to A
 AUXILIARY SECTION: B to C

*It is **Regal-Beloit's goal** to serve you with the **most cost effective** and **highest quality capacitor** designs. Standardization to the catalog type shown is a major program at Regal-Beloit. However, Regal-Beloit remains sensitive to your needs and requirements, and **will continue to offer the above ratings (and more) in case configurations to meet your application(s).**

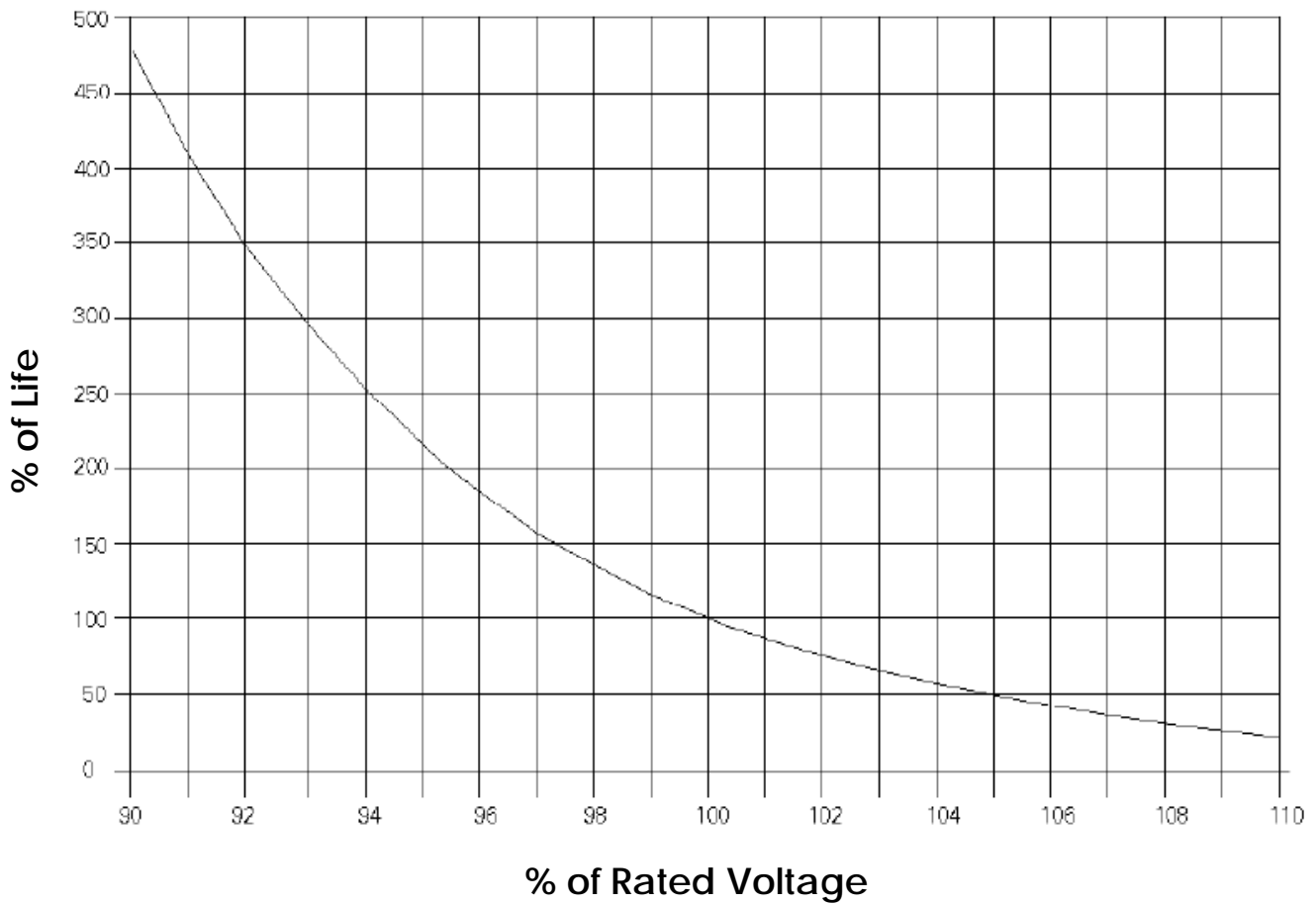
LIFE vs TEMPERATURE

CHART L-1



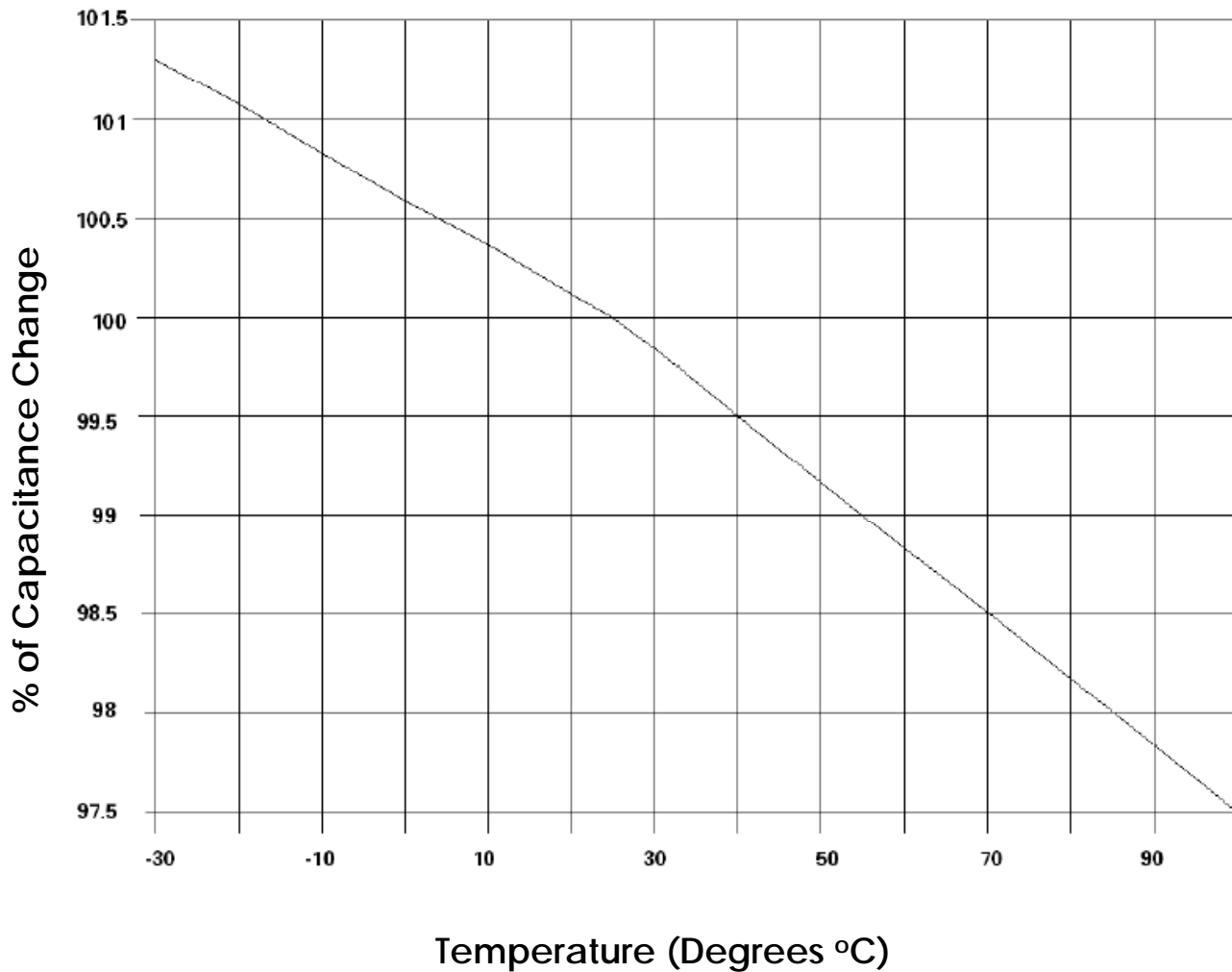
LIFE vs VOLTAGE

CHART L-2

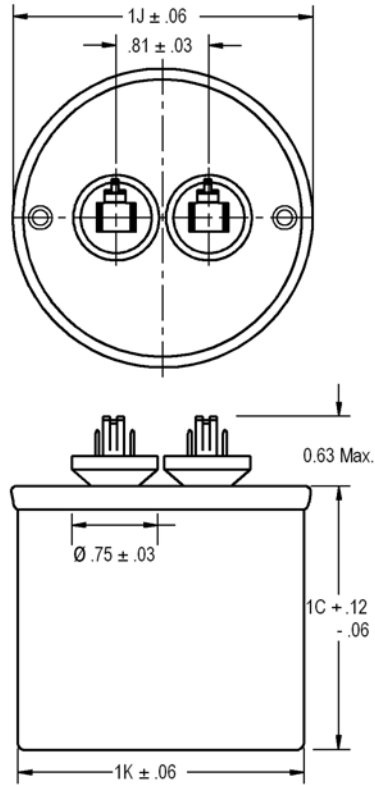


% CAPACITANCE vs. TEMPERATURE

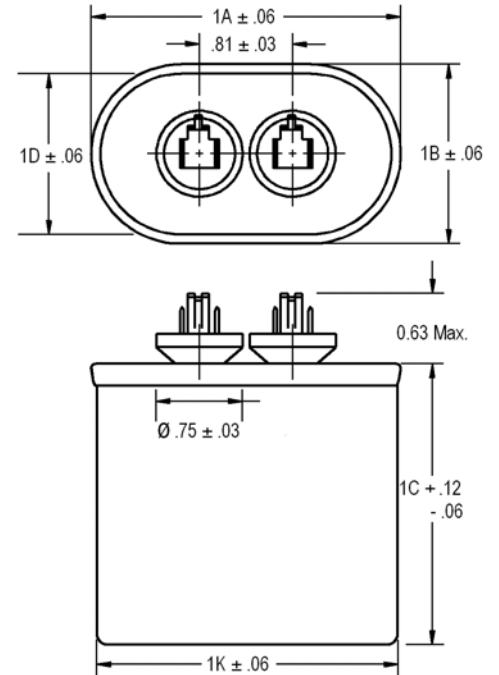
CHART L-3



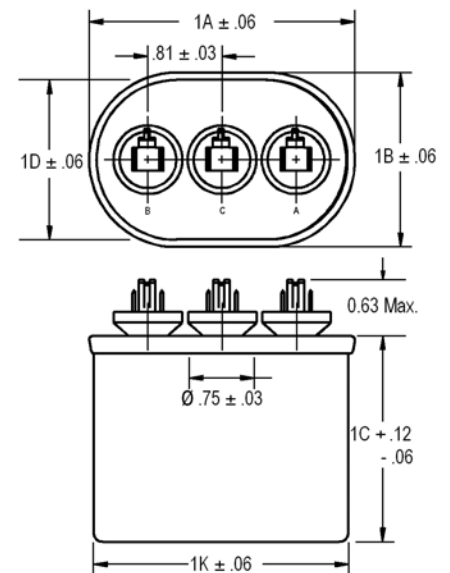
Round Case Style (P, S, T)



Oval Case Style (A, B, C, D)



Dual Oval Case Style (C and D)

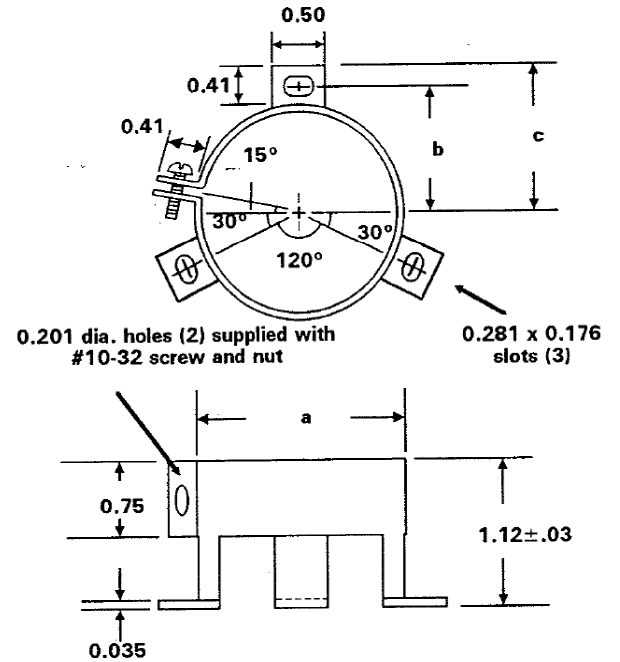


Oval Case Style		Dimensions			
		1A	1B	1D	1K
A	Oval	2.16	1.31	1.21	2.06
B	Oval	2.69	1.56	1.47	2.58
C	Oval	2.91	1.91	1.81	2.81
D	Oval	3.66	1.97	1.88	3.56
C	Dual Oval	2.91	1.91	1.81	2.81
D	Dual Oval	3.66	1.97	1.88	3.56

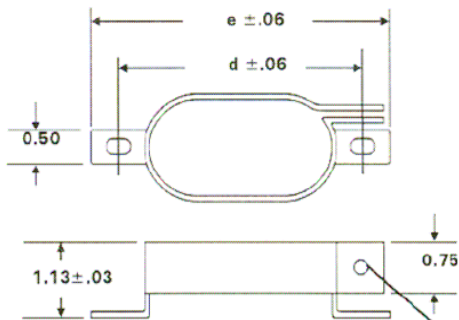
Round Case Style		Dimensions			
		1K			1J
P	Round	1.75	-----	-----	1.88
S	Round	2.00	-----	-----	2.12
T	Round	2.50	-----	-----	2.62

UNIVERSAL WRAP AROUND BRACKETS – Round Cases

Case Style	Bracket Part Number	a	b	c
P	M295A601631	1.75	1.12	1.31
S	M295A601632	2.00	1.25	1.44
T	M295A601633	2.50	1.50	1.69



UNIVERSAL WRAP AROUND BRACKETS – Oval Cases

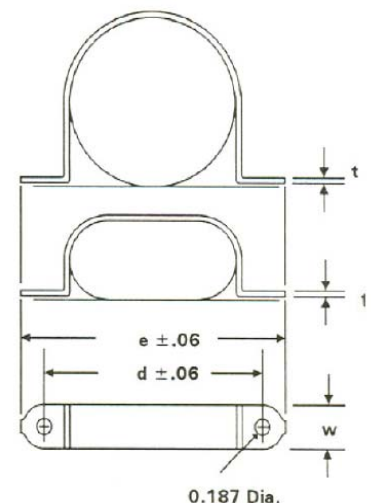


Case Style	Bracket Part Number	d	e
A	M128A2244AC21	2.69	3.13
B	M128A2244AB25	3.27	3.70
C	M128A2244AB22	3.44	3.88
D	M128A2244AB23	4.19	4.63

(2) .156 dia holes supplied with # 6-32 screw and nut

WRAP AROUND BRACKETS – Oval & Round Cases

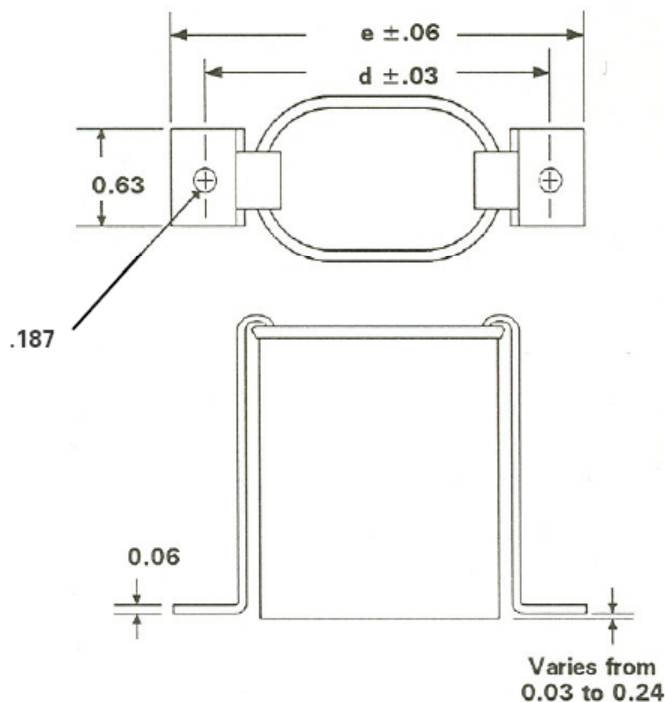
Case Style	Bracket Part Number	d	e	w	t
A	M982706521	2.56	2.94	0.50	0.02
B	M982706531	3.06	3.50	0.63	0.02
C	M614A30161	3.31	3.81	0.75	0.03
D	M614A30151	4.06	4.56	0.75	0.03
P	M279A723524	2.50	2.88	0.75	0.04
S	M279A723522	2.75	3.12	0.75	0.04
T	M279A723523	3.25	3.62	0.75	0.04



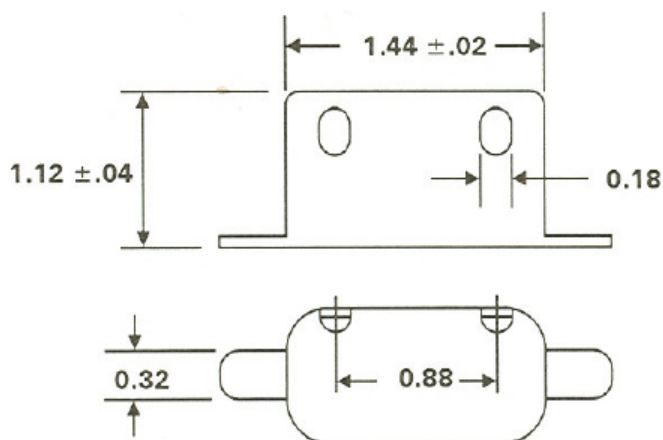
FOOTED BRACKETS – Oval & Round Cases

Case Height	Bracket Part Number
2.12	M302C920210
2.88	M302C920113
3.88	M302C920115
4.75	M302C920116
5.75	M302C920209

Case Style	d	e
A	2.56	3.00
B	3.13	3.56
C	3.38	3.81
D	4.13	4.56
P	2.33	2.76
S	2.57	3.00
T	3.07	3.50

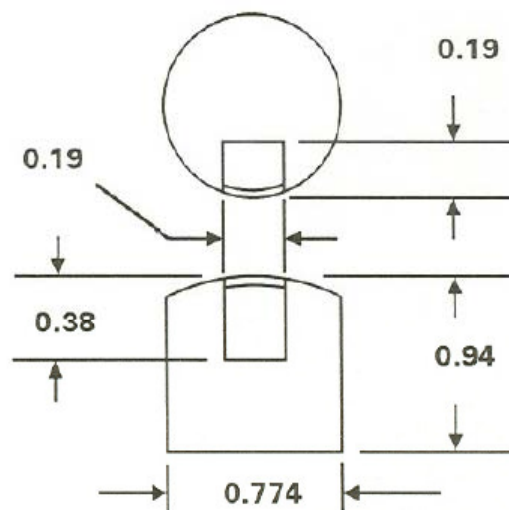


PROTECTIVE BOOT

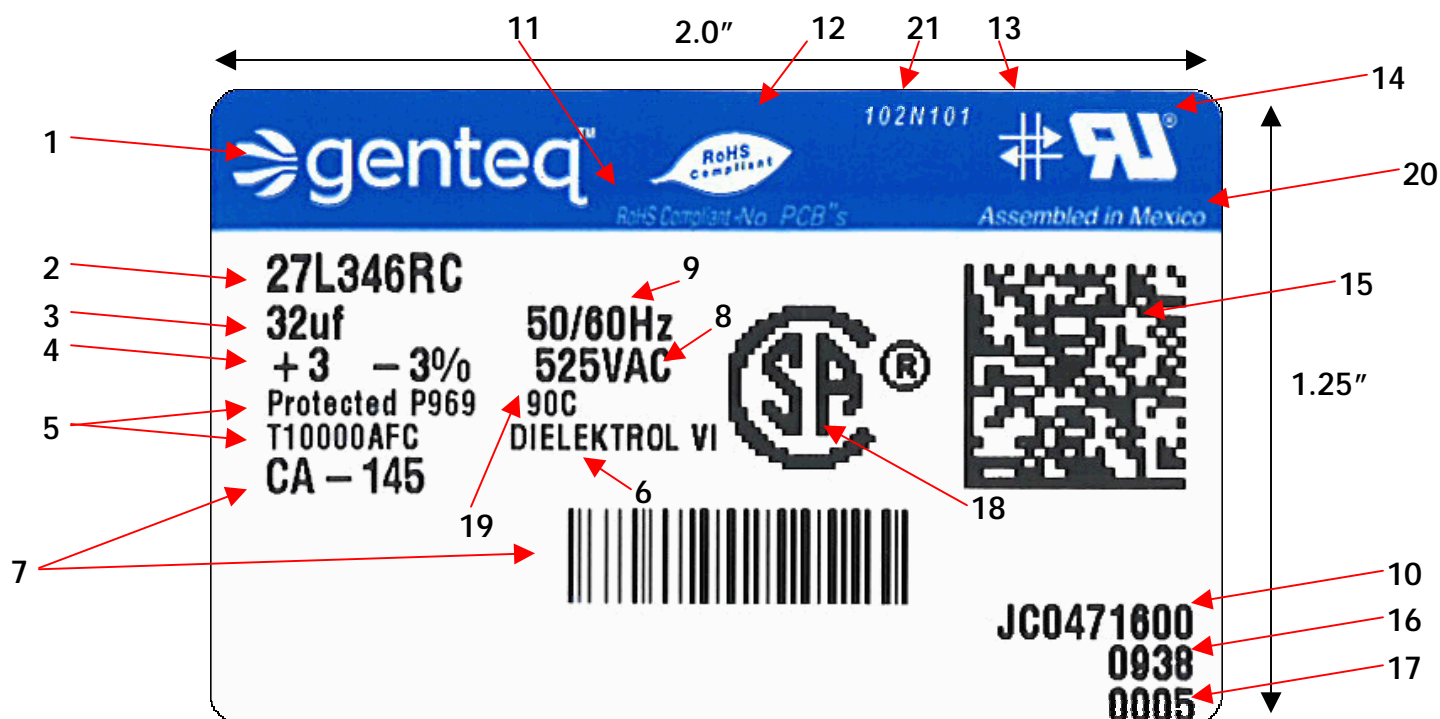


Boot Part Number	Temperature Rating
M614A52721	60°C
M178A374421	105°C

PROTECTIVE CAP



Cap Part Number	M115A155223
-----------------	-------------



1. Product / Brand
2. Genteq Catalog Model Number
3. Capacitance in Micro-Farads
4. Tolerance
5. UL Designation Including Available Fault Current (AFC) Rating
6. Genteq Product Name of Dielectric Fluid
7. Customer Part Number and Bar Code
8. AC Voltage Rating
9. Frequency
10. Manufacturing WIP Job Number
11. RoHS Compliant / No PCBs Statement
12. RoHS Compliant Logo
13. Self-Healing Symbol
14. UL Approved Logo
15. Data Matrix Bar Code
16. Manufacturing Date Code

Example:

<u>09</u>	<u>38</u>
↑	↑
Year (Last Digits of Year)	Fiscal Week
17. Label Sequence Number
18. Canadian Standards Association Approved Logo
19. Temperature Rating
20. Country of Origin
21. Label Part Number (Internal)

AVAILABLE REGAL-BELOIT COMPONENT CAPACITOR PUBLICATIONS		
Publication	Description	Replaces
GTC-001	AC Capacitors for Motor Run Applications	CPD-510
GTC-002	AC Capacitors for HID Lighting Applications	CPD-511
GTC-003	Capacitors for AC and DC General Purpose Applications	CPD-512
GTC-004	Screw Terminal Electrolytic Capacitors	CPD-517
GTC-005	Snubber, High Current DC, and Switching Capacitors	CPD-518, 519, 520
GTC-006	Dry Capacitors	New Pub.
GTC-007	Snap-In Electrolytic Capacitors	New Pub.
PLC-001	PROLINE Capacitors	New Pub.

Please contact your local Regal-Beloit Sales Representative for further information.
Call or write directly to:

Genteq Capacitors
1946 West Cook Road
Fort Wayne, Indiana 46818 USA

Phone: (260) 416-5400
Fax: (260) 416-5460
Email: capacitors@regalbeloit.com



Genteq Capacitors 1946 West Cook Road, Fort Wayne, Indiana 46818 USA
Phone: (260) 416-5400 **Fax:** (260) 416-5460 **Email:** capacitors@regalbeloit.com
www.genteqcapacitors.com

