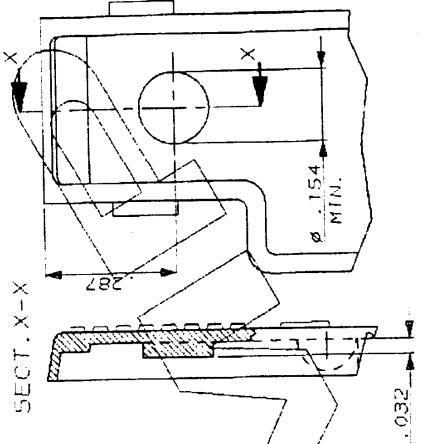


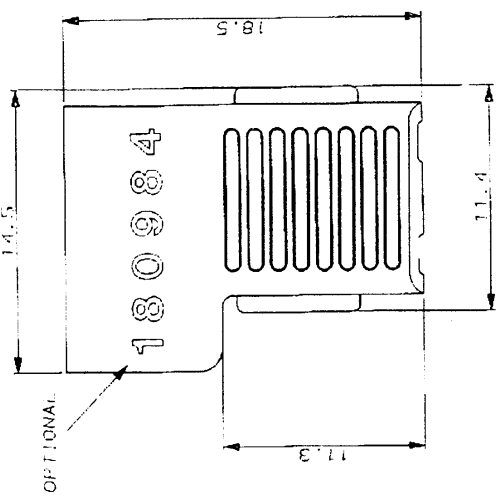
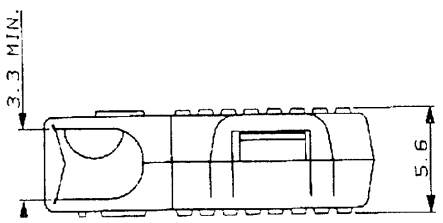
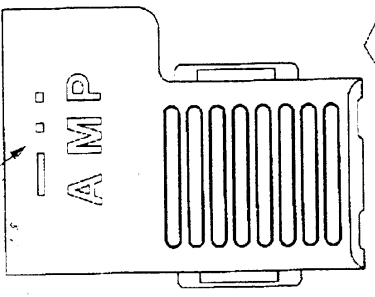
1' 2 3 4 5 6 7 8

SCALE AND UNIT INDICATIVE
 DIMENSIONS (OPT. IN) mm
METRIC
 PROJECTIONS EUROPEA
 (EUROPEAN PROJECTIONS)

OPT. FOR AMP DO BRASIL
 SECT. X-X



TRADE MARK
 (OPT. POS.)



* NOT MANUFACTURED BY AMP ITALIA

NEO. PA 6.6	7-180984-5
USURANTE PA 6.6	7-180984-0
MATERIALI PE 5	6-180984-0
INTEGRI PE 1	5-180984-0
USURANTE PE 1	4-180984-0
USURANTE PE 1	3-180984-1
USURANTE PE 1	3-180984-0
USURANTE PE 1	2-180984-0
USURANTE PE 1	180984-8
USURANTE PE 1	180984-5
USURANTE PE 1	180984-4
USURANTE PE 1	180984-3
USURANTE PE 1	180984-1
USURANTE PE 1	180984-0

OPT. SHAPE FOR RIBS

892-580

CUSTOMER DWG. DESIGNO PER CLIENTE FOR REFERENCE ONLY. SOLO PER RIFERIMENTO		RELEASE FOR PUBLICATION 19	
THIS DRAWING IS UNPUBLISHED BY AMP ITALIA S.p.A. AND FOR THE PATENT RIGHTS RESERVED IN U.S. AND FOR THE PATENT RIGHTS RESERVED IN U.S. AND FOR THE PATENT RIGHTS RESERVED IN U.S.		SCALE (SCALA) 4:1	
DIVERGENCE SPECIFIED (DIVERGENZA SPECIFICATA) ± 0.4		TOLERANCES, UNLESS OTHERWISE SPECIFIED (TOLLERANZE, ALESSI ALTREMENTE SPECIFICATE)	
FINISH / COLOUR (FINISH / COLORE)		MATERIAL (MATERIALE)	
PART NUMBER (NUMERO)		AMP ITALIA S.p.A. CORPO FILIATO 1975 COLLEGE (CORTEGGIO)	
DESCRIPTION (DESCRIZIONE)		FLAG FASTON BOOT	
REV. (REV.)		REV. (REV.)	
DATE (DATA)		DATE (DATA)	
DRAWN (TRACIATO)		DRAWN (TRACIATO)	
CHECKED (VERIFICATO)		CHECKED (VERIFICATO)	
APPROVED (APPROVATO)		APPROVED (APPROVATO)	

1515 942 (15)