



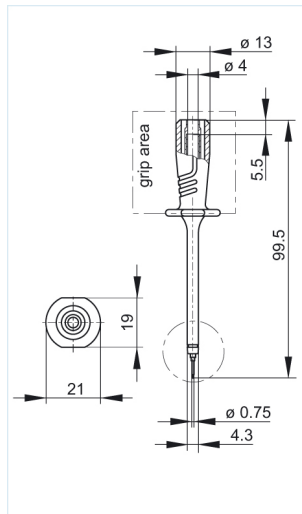
PRUEF 2610 FT schwarz/black

Industrial Connectors:Measuring and Testing Equipment:Test probes:4 mm safety system

Product description

Description	Test probe with elasticinsulating sleeve and slender, sprung stainless steel tip. This allows a constant pressure to be applied without the tip slipping off the component, even in the smallest measuring points. 4 mm diameter brass socket connection.
Type	PRUEF 2610 FT schwarz/black
Order No.	972 318-100
System	4 mm safety system
Housing Color	black
Other standard types	red color, order no. 972 318-101

Drawing



Technical data

Pin dimensions	4 mm
Type of contact	socket
Type of termination	4 mm socket
Standard	IEC 61010
Rated voltage	AC/DC 1000 V
Measurement Category	CAT III
Contact resistance	50 mOhm
Certificates	CE

Material

Contact material	stainless steel
Contact surface material	rhodium
Housing material	PP

Environmental conditions

Temperature range	-25 °C to +80 °C
-------------------	------------------

Inflammability class

