

Bare PCB Testing and Interfaces

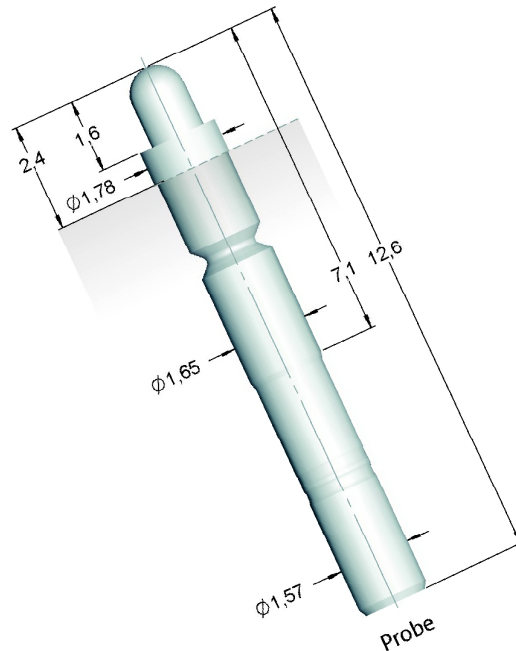
F620

For all applications that require a low installation height. Due to its execution the pin can be soldered directly into the plate. The barrel is sealed with a ball, thus enabling the cable to be soldered into the probe.

Please find the corresponding interface pin for contacting on page 49.

Centers 2,54 mm/100 mil

	Current	Temperature
Standard	3,0 A	-20°... +80° C

**Mechanical Specifications**

Working Travel: 1,3 mm
 Full Travel: 1,6 mm
 Preload: 40 cN
 Spring Force at Working Travel:
 75 cN $\pm 20\%$
 130 cN $\pm 20\%$ (On Request)
 Mechanical Life: 1,5 mill. cycles
 Pointing Accuracy: $\pm 0,08$ mm

Electrical Specifications

Maximum Continuous Current: 3,0 A
 Typical Probe Resistance: 30 mOhm

Materials and Finishes

Plunger: see Tip Style
 Barrel: Bronze, Gold plated
 Spring: Music Wire, Silver plated

Projection Height

F620

2,4 mm

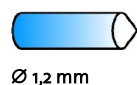
Order Example

Type	Tip Diameter	Spring Force
F620	120	075
01 S	L	
Tip Style	Material	Plunger Finish

Material: S = Steel
 Tip Diameter: 1,2 mm = 120
 Plunger Finish: L = Longtime gold plated,
 N = Nickel plated,
 R = Rhodium plated

Plunger Tip Style, Material, Finish and Tip Diameter

01 Steel; L



11 Steel; N, L, R

