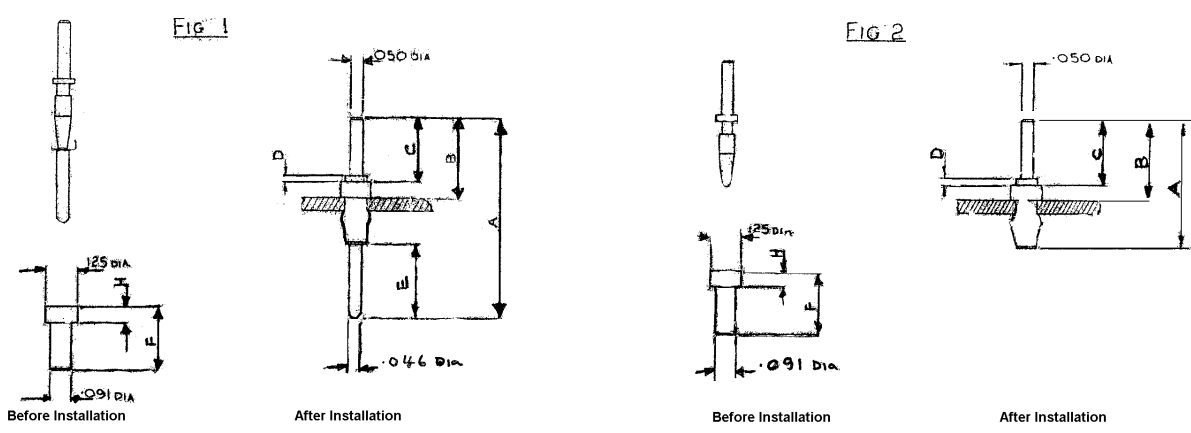


ISS.	CHANGE	DATE
2	SPT 21 was SPT 27	15/10/69
	SPT 27 was SPT 21	21/12
3	INSERTION TOOL N° 10549	17/7/70

Catalogue Number	Computer Code	Description
SPT 21	203-1407-001510	Lug
	103-1407-001009	Bush
SPT 22	203-1408-001510	Lug
	103-1408-001009	Bush
SPT 23	201-1409-001510	Lug
	103-1409-001009	Bush
SPT 24	201-1410-001510	Lug
	101-1410-001009	Bush
SPT 25	201-1411-001510	Lug
	101-1411-001009	Bush
SPT 26	201-1412-001510	Lug
	101-1411-001009	Bush
SPT 27	203-1409-001510	Lug
	101-1412-001009	Bush



CAT. N°	FIG. N°	DIM. A	DIM. B	DIM. C	DIM. D	DIM. E	DIM. F	DIM. H	THICKNESS OF PANEL
SPT 21	2	294	194	140	020		160	060	022
SPT 22	2	420	230	170	020		250	060	022 MIN - 024 MAX
SPT 23	1	437	197	137	020	144	156	060	022 MIN - 024 MAX
SPT 24	1	500	260	140	020	157	203	060	048
SPT 25	1	562	316	156	020	156	250	060	064
SPT 26	1	625	248	183	020	187	250	060	024 MIN - 022 MAX
SPT 27	2	520	250	270	020		250	060	022 MIN - 024 MAX
SPT 28	1	812	372	312	020	250	250	060	032 MIN - 032 MAX

INSTALLATION DETAILS. DRILL HOLE .093 DIA

MATERIAL:  
 BUSH - TEFLON  
 LUG - BRASS  
 PLATING - TINNED

INSERTION TOOL N° 10549/05

MATERIAL	FINISH	3rd ANGLE PROJECTION
UNLESS SPECIFIED OTHERWISE DIMENSIONS ARE IN INCHES		
TOLERANCES: FRACT DEC ANG		
<b>Sealectro LIMITED</b>		
DRG. BY: D. FARROW	CHKD. BY: [Signature]	APPROVED BY: [Signature]
DATE: 7-3-69	SCALE: N.T.S.	SURFACE AREA: No. B.