

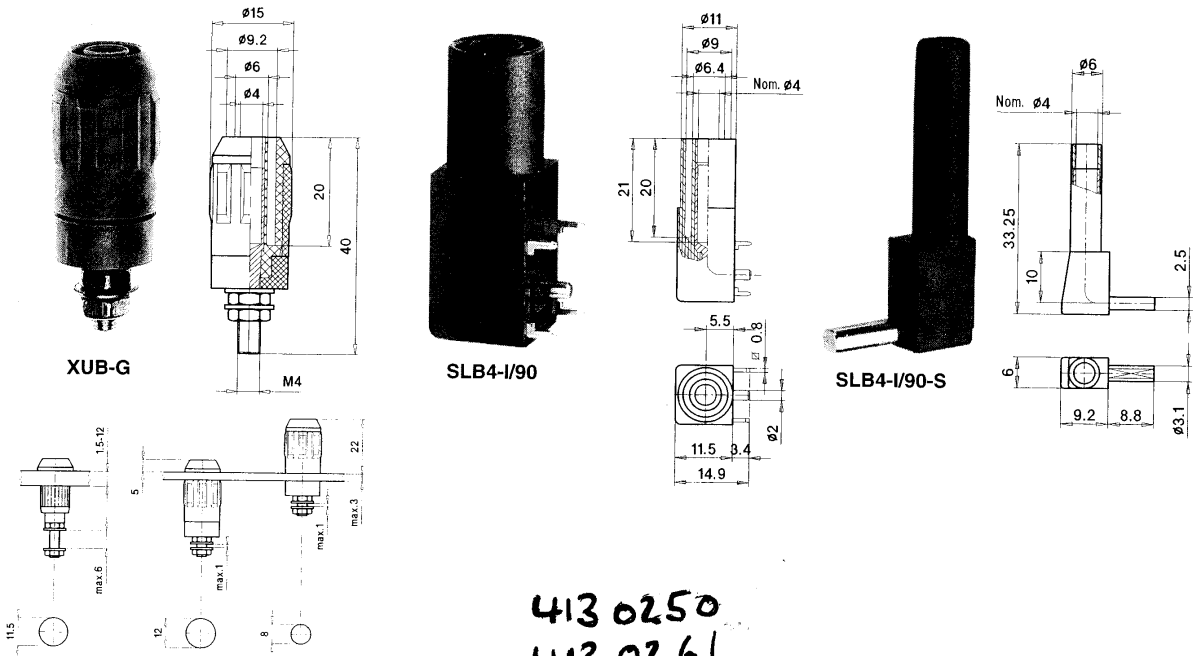


ø 4 mm Safety Universal Socket and Safety Right-angle Sockets

Multi-Contact

Fully insulated safety universal socket for accepting ø 4 mm safety leads or any other ø 4 mm Multilam® plug. The socket XUB-G can be assembled flush with or without spacer sleeve, surface-mounted or pressed in predrilled panels of plastic, metal etc. For the connection, the socket has a threaded bolt.

Types SLB4-I/90 and SLB4-I/90-S with right-angled ø 4 mm safety sockets. SLB4-I/90 with ø 2 mm round pin and contacts for mounting on printed-circuit boards. SLB4-I/90-S with connecting pin for screwing onto relay housings, distribution boxes etc. conforms to protection degree IP2X in mounted condition.



413 0250  
413 0261

Type	XUB-G	SLB4-I/90	SLB4-I/90-S
Rated voltage	Pressed in or assembled flush: 1000 V, CAT II, Surface mounted: 600 V, CAT II	1000 V, CAT III	1000 V, CAT II During installation, the socket must not be connected to the supply !
Rated current	20 A	24 A	32 A
Insulation	PA	PA	PP
Operating temperature	-40°C ... +80°C	-40°C ... +80°C	-40°C ... +80°C
Metal parts, plating	Machined brass, nickel-plated	Machined brass, gold-plated	Brass, nickel-plated
Connection	Threaded bolt M4	ø 2 mm round pin, right-angled for mounting on printed-circuit boards	ø 3.1 mm x 2.5 mm pin, right-angled
Panel drilling / Panel thickness	Dependent on assembly, see sketch	-	-
Standard colours*	20 to 27, 29	21 to 22	21 to 23
Order No.	66.9684-*	23.3200-*	49.7093-*

Assembly tool	<b>MB4-S, Order No. 25.0033</b> (only for use as press-in socket), see page 95	-	-
Assembly material and connection aids	Plastic parts (PA) for mounting, 2 hexagon nuts M4 and 2 washers are supplied	-	-
Assembly instructions	MAH 507, see also sketch	-	-
Consult supplementary label!	-	-	RZ 010

*Colour code	20	21	22	23	24	25	26	27	28	29	30	33
	green-yellow	black	red	blue	yellow	green	violet	brown	grey	white	orange	transparent