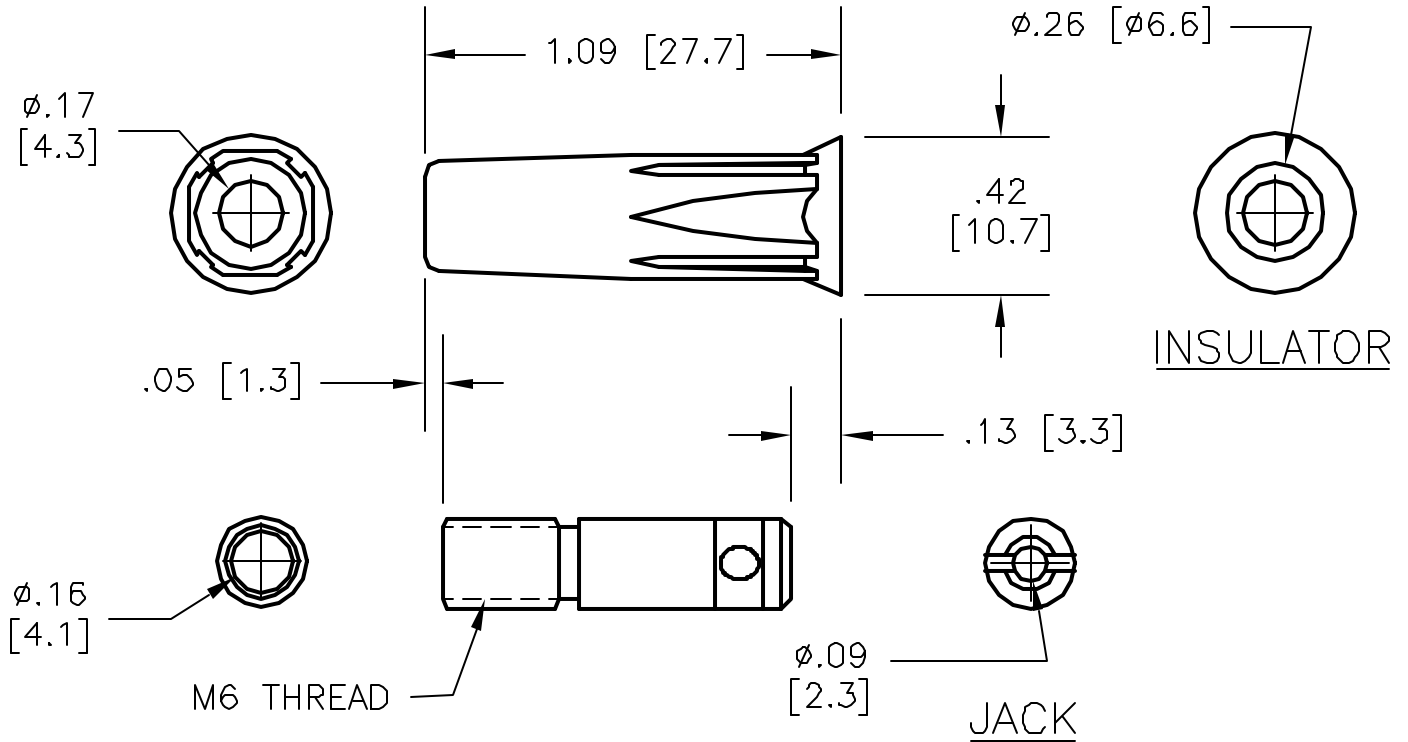


ALL RIGHTS RESERVED. NO PORTION OF THIS PUBLICATION, WHETHER IN WHOLE OR IN PART CAN BE REPRODUCED WITHOUT THE EXPRESS WRITTEN CONSENT OF SPC TECHNOLOGY.

REVISIONS			DOC. NO. SPC-F004 * Effective: 12/21/98 * DCP No: 680					
DCP #	REV	DESCRIPTION	DRAWN	DATE	CHECKD	DATE	APPRVD	DATE
170	A	RELEASED	HYD	1/19/00	JC	1/28/00	DJC	4/5/00



**SPECIFICATIONS:**

1. DO-IT-YOURSELF, 4mm IN-LINE JACK, SOLDER ATTACHMENT.
2. INSULATOR BODY: POLYACETAL
3. JACK BODY: BRASS, NICKEL PLATED
4. VOLTAGE: 500V
5. CURRENT: 36A MAX.
6. TEMPERATURE: -20 °C TO +80 °C
7. MAXIMUM WIRE SIZES:

CONDUCTOR: .090 (12AWG)  
STRIP LENGTH: .25 (6.4)

SPC-F004.DWG

**DISCLAIMER:**  
ALL STATEMENTS AND TECHNICAL INFORMATION CONTAINED HEREIN ARE BASED UPON INFORMATION AND/OR TESTS WE BELIEVE TO BE ACCURATE AND RELIABLE. SINCE CONDITIONS OF USE ARE BEYOND OUR CONTROL, THE USER SHALL DETERMINE THE SUITABILITY OF THE PRODUCT FOR THE INTENDED USE AND ASSUME ALL RISK AND LIABILITY WHATSOEVER IN CONNECTION THEREWITH.



**SPC TECHNOLOGY**

<b>Tolerances Unless Otherwise Specified</b> <b>Fractions ± 1/32</b> <b>Decimals</b> <b>.XX ± .02</b> <b>.XXX ± .005</b>	DRAWN BY:	DATE:	DRAWING TITLE:			
	HISHAM ODISH	1/19/00	Ø4mm JACK, SOLDER RED			
	CHECKED BY:	DATE:	SIZE	DWG. NO.	ELECTRONIC FILE	REV
	JOHN COLE	1/28/00	A	SPC4376	92N4652.DWG	A
APPROVED BY:	DATE:	SCALE:	U.O.M.:	SHEET:		
DANIEL CAREY	4/5/00	NTS	INCHES [mm]	1 OF 1		