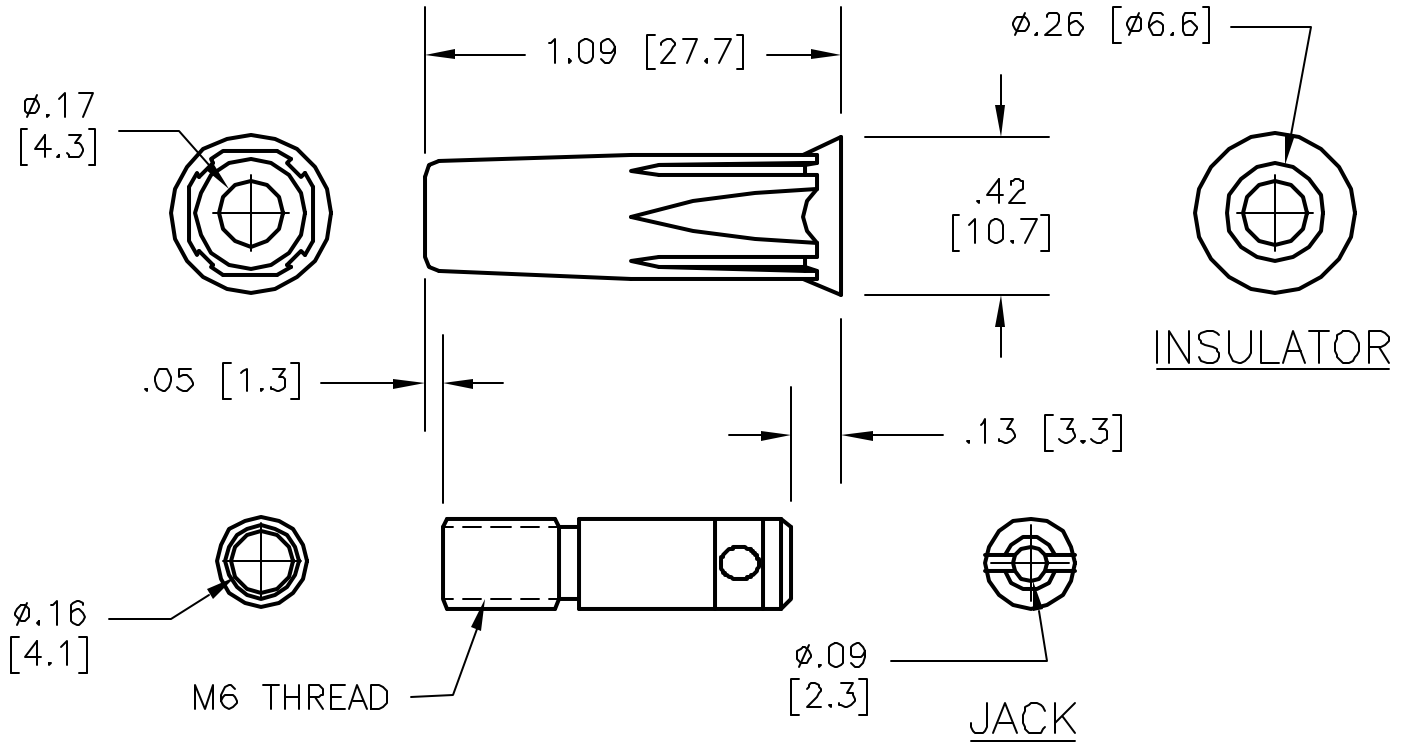


ALL RIGHTS RESERVED. NO PORTION OF THIS PUBLICATION, WHETHER IN WHOLE OR IN PART CAN BE REPRODUCED WITHOUT THE EXPRESS WRITTEN CONSENT OF SPC TECHNOLOGY.

REVISIONS			DOC. NO. SPC-F004 * Effective: 12/21/98 * DCP No: 680					
DCP #	REV	DESCRIPTION	DRAWN	DATE	CHECKD	DATE	APPRVD	DATE
170	A	RELEASED	HYD	1/19/00	JC	1/28/00	DJC	4/5/00



SPECIFICATIONS:

1. DO-IT-YOURSELF, 4mm IN-LINE JACK, SOLDER ATTACHMENT.
2. INSULATOR BODY: POLYACETAL
3. JACK BODY: BRASS, NICKEL PLATED
4. VOLTAGE: 500V
5. CURRENT: 36A MAX.
6. TEMPERATURE: -20 °C TO +80 °C
7. MAXIMUM WIRE SIZES:

CONDUCTOR: .090 (12AWG)
STRIP LENGTH: .25 (6.4)

SPC-F004.DWG

DISCLAIMER:
ALL STATEMENTS AND TECHNICAL INFORMATION CONTAINED HEREIN ARE BASED UPON INFORMATION AND/OR TESTS WE BELIEVE TO BE ACCURATE AND RELIABLE. SINCE CONDITIONS OF USE ARE BEYOND OUR CONTROL, THE USER SHALL DETERMINE THE SUITABILITY OF THE PRODUCT FOR THE INTENDED USE AND ASSUME ALL RISK AND LIABILITY WHATSOEVER IN CONNECTION THEREWITH.



SPC TECHNOLOGY

Tolerances Unless Otherwise Specified Fractions ± 1/32 Decimals .XX ± .02 .XXX ± .005	DRAWN BY:	DATE:	DRAWING TITLE:			
	HISHAM ODISH	1/19/00	Ø4mm JACK, SOLDER BLACK			
	CHECKED BY:	DATE:	SIZE	DWG. NO.	ELECTRONIC FILE	REV
	JOHN COLE	1/28/00	A	2289	92N4651.DWG	A
APPROVED BY:	DATE:	SCALE:	U.O.M.:	SHEET:		
DANIEL CAREY	4/5/00	NTS	INCHES [mm]	1 OF 1		