



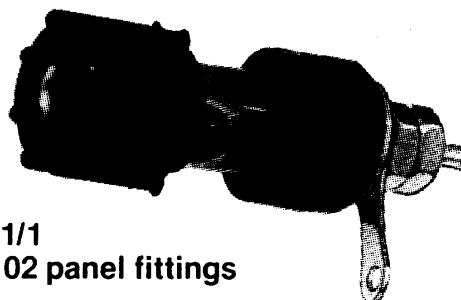
317 330 + 317342

L1361/1

Pattern 3 terminal,
panel sealed

Qualification approved for
Service's use and Panel sealed.
Specification: DEF-5335

This terminal has a 4 mm socket in the head and a large clamping gap with unique pyramid shaped teeth for piercing the wire insulant. This



L1361/1
with 02 panel fittings

obviates the need for wire stripping and it will accommodate even a single 40 s.w.g. (0.122 mm) conductor without fracturing it. The head is captive.

Current rating: 10 A

Temperature

range: -25 °C to + 70 °C

Materials: Head, polypropylene
Stem, brass, nickel plated. Solder post tin-dipped

Colour: Black

Weight: 11,8 g average

Leakage, when used with 02

panel kit: ≤ 1 cc/h @ 20 lbf/in²
138 kPa

Humidity: H1

Wire size

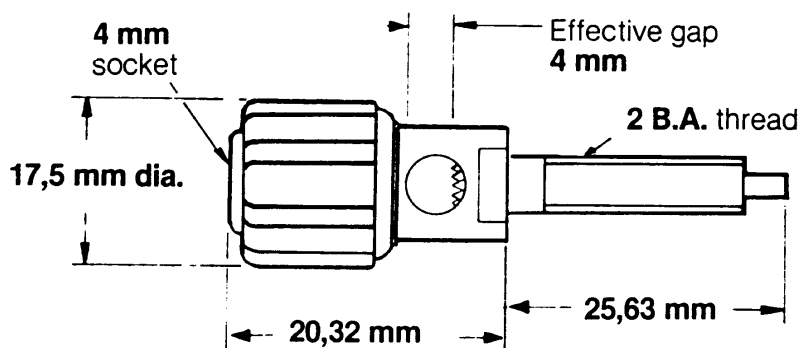
(maximum): 4 mm diameter

Ordering reference:

L1361/1

02 panel fittings

(Terminals and fittings are supplied unassembled and must be ordered as individual items.)



02 panel fittings

Comprises: 2 phenolic resin mouldings. 2 sealing rings. Metal washer solder tag. 2 locknuts

Breakdown voltage: > 2 kVd.c.

Insulation resistance: ≥ 500 megohms

Panel thickness: 5,6 mm maximum

Temperature

range: -40 °C to + 70 °C

Fixing torque: 1,41 Nm

Clamping torque: 1,13 Nm

