



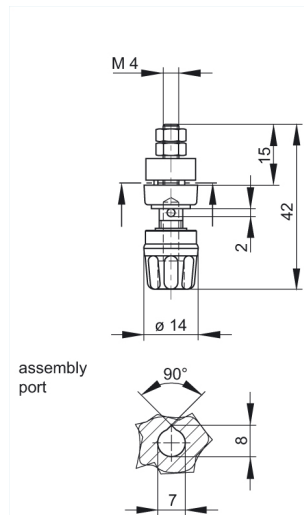
PKI 10 A rot/red

Measuring and Testing Equipment: Sockets: 4 mm system

Product description

Description	Pole terminal with claw edge and captive insulated head and insulating ring. 4 mm diameter nickel-plated brass threaded bolt with 2 mm diameter transverse hole. For insulated, non-rotating installation in equipment chassis and switchpanels with a wall thickness up to 2 mm.
Type	PKI 10 A rot/red
Order No.	930 103-101
System	4 mm system
Housing Color	red
Other standard types	black color, order no. 930 103-100; blue color, order no. 930 103-102; yellow color, order no. 930 103-103; green color, order no. 930 103-104; yellow/green color, order no. 930 103-188

Drawing



Technical data

Type of contact	socket
Type of termination	M 4 thread
Rated voltage	DC 60 V
Rated current	35 A

Contact resistance	2 mOhm
Mounting	screw
Material	
Contact material	brass
Contact surface material	nickel-plated
Housing material	PF
Environmental conditions	
Temperature range	-25 °C to +100 °C
Inflammability class	
Housing	94 V-0