



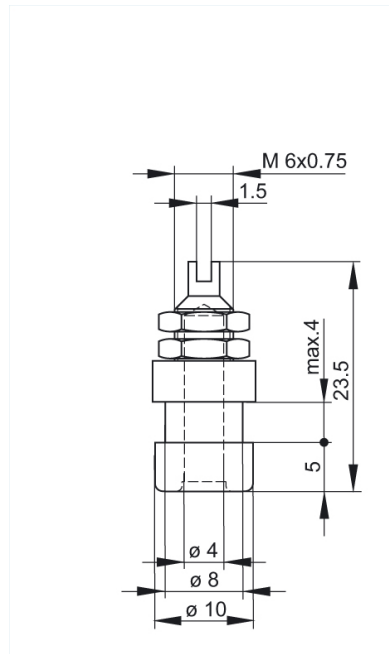
BIL 30 schwarz/black

Industrial Connectors:Measuring and Testing Equipment:Sockets:4 mm system

Product description

Description	Socket with insulated head and ring for installation in equipment chassis and switchpanels up to 4 mm wall thickness. 4 mm diameter tin-plated brass socket, with solder connection.
Type	BIL 30 schwarz/black
Order No.	930 166-100
System	4 mm system
Housing Color	black
Color types	● ●
Other standard types	red color, order no. 930 176-101

Drawing



Technical data

Type of contact	socket
Type of termination	solder
Rated voltage	DC 60 V
Rated current	32 A
Contact resistance	5 mOhm
Mounting	screw

Material

Contact material	brass
Contact surface material	tin-plated
Housing material	PF
Environmental conditions	
Temperature range	-25 °C to +85 °C
Inflammability class	
Housing	94 V-0