




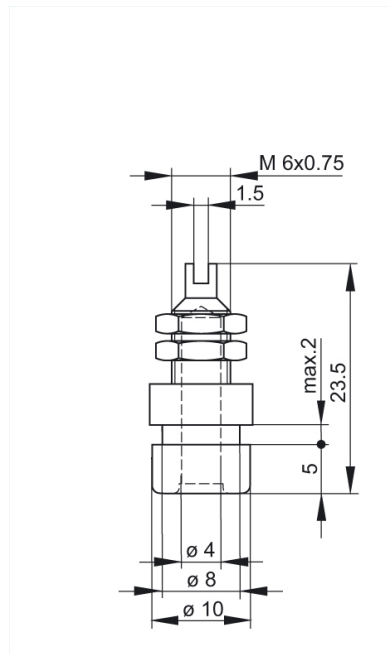
## BIL 20 blau/blue

Industrial Connectors:Measuring and Testing Equipment:Sockets:4 mm system

### Product description

Description	Socket with insulated head and ring for installation in equipment chassis and switchpanels with a wall thickness up to 2 mm. 4 mm diameter tin-plated brass socket, with solder connection.
Type	BIL 20 blau/blue
Order No.	930 176-102
System	4 mm system
Housing Color	blue
Color types	
Other standard types	black color, order no. 930 176-100; red color, order no. 930 176-101; yellow color, order no. 930 176-103; green color, order no. 930 176-104; white color, order no. 930 176-107

### Drawing



### Technical data

Type of contact	socket
Type of termination	solder
Rated voltage	DC 60 V
Rated current	32 A
Contact resistance	5 mOhm
Mounting	screw
<b>Material</b>	
Contact material	brass
Contact surface material	tin-plated
Housing material	PF
<b>Environmental conditions</b>	
Temperature range	-25 °C to +85 °C
<b>Inflammability class</b>	
Housing	94 V-0