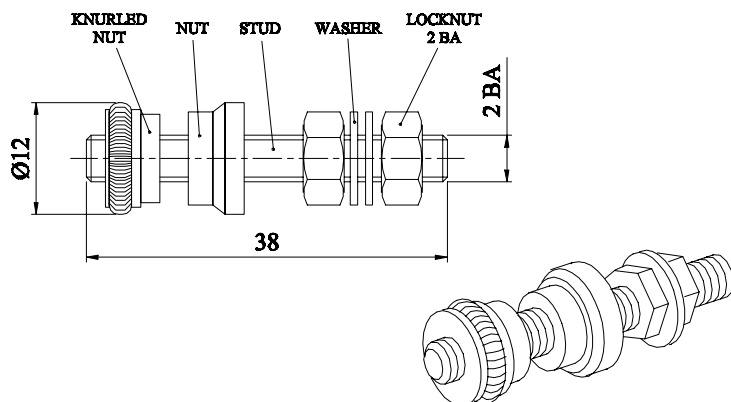


A non-insulated terminal binding post, manufactured from nickel plated brass, rated at 30 Amps, with a non-captive 2 BA nut. Can be used on a maximum of 12,5mm panel thickness.

MATERIAL
 LOCKNUT : Brass, bright nickel plate
 WASHER : Brass, bright nickel plate
 STUD : Brass, bright nickel plate
 NUT : Brass, bright nickel plate
 KNURLED NUT : Brass, bright nickel plate
 Maximum Current Rating : 30 Amps

Dimensions



CONVERTED FROM PS0388 ISS2 (13.06.94) IN JAN 2003

DrgNo 351-0000	TITLE TERMINAL BINDING POST	ALL DIMENSIONS IN MM ANGLES IN DECIMAL DEGREES		
ISSUE 2	GENERAL SPECIFICATION FOR 351-0000	CUSTOMER	FILTER REF	
		Aprvd Date 15/10/03	Aprvd By MC	Drwn by BS
		Scale: NTS	Sheet 1 / 1	

© Deltron Emcon Limited E-Mail components@deltron-emcon.com, Website www.deltron-emcon.com. Phone +44 1724 273200 Fax +44 1724 270230