

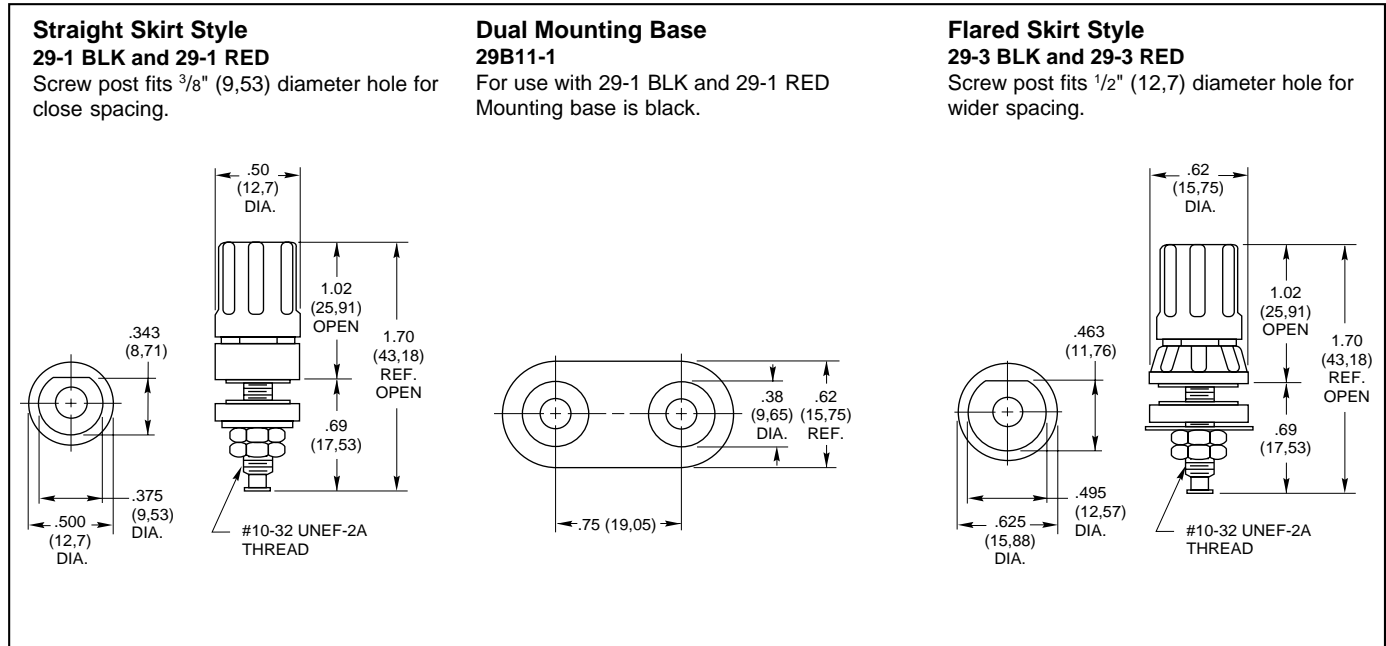
## SERIES 29

### FEATURES

- Flush Hole to Prevent Crimping
- Space-Saving  $\frac{3}{8}$ " Diameter or Decorative Flared Skirt
- Dual Mounting Base Accessory



### DIMENSIONS In Inches (and millimeters)



### SPECIFICATIONS

#### Rating Criteria

**Rating:** At 120 Vdc, 15 Amps continuously, with a maximum temperature rise of 20°C.

**Insulation Resistance:** Between stud and mounting panel

For 29-1 styles	120,000 megohms
For 29-3 styles	200,000 megohms

**Voltage Breakdown:** Between studs and mounting panel

For 29-1 styles	1500 Vac
For 29-3 styles	3000 Vac

#### Materials and Finishes

**Metal Parts:** Nickel-plated brass

**Insulating Materials:** Thermoset plastic per MIL-M-14, Type CFG

#### Additional Characteristics

**Insulating Washers:** Non-turn "D" style

**Solder Stud:** Integral; 2 hex nuts for solder lug connections

**Heads:** Captive

**Cross Hole:** Flush to stud extension to eliminate cutting or crimping wires

**Panel Thickness:** Up to  $\frac{3}{16}$ " (4,76)

### ORDERING INFORMATION

Order using part numbers shown in dimensions.

**Available from your local Grayhill Distributor.**

For prices and discounts, contact a local Sales Office, an authorized local Distributor or Grayhill.