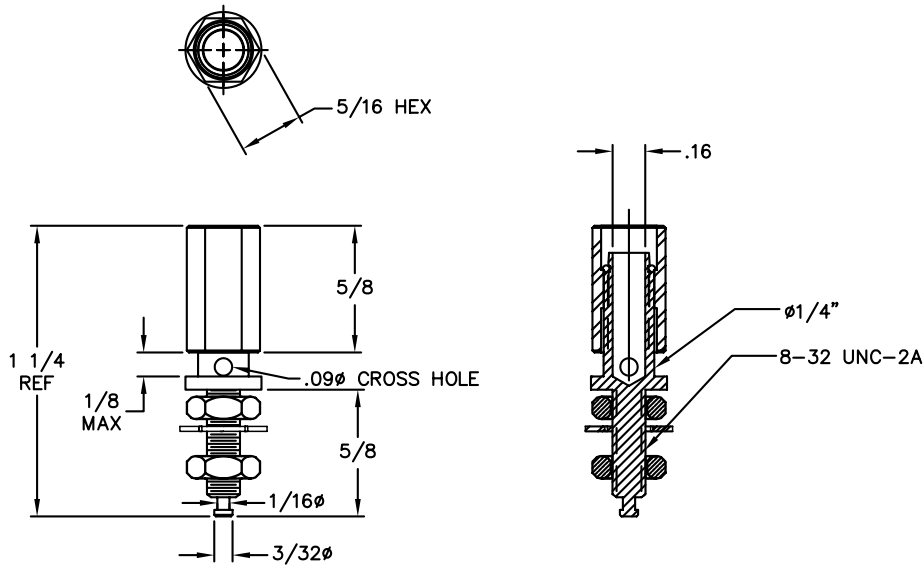


REVISIONS				
SYM	DESCRIPTION	REVISED BY	DATE	APPR
©	5/16 HEX WAS 5/16 OCTOGON 137AC HAS BEEN REPLACED BY 137	TPL	4/03	TPL



MATERIAL: SEE BOM			FINISH: SEE BOM			ABBATRON Electronic Connectors and Hardware 632 Arch Street, Meadville, Pa. 16335		
DIMENSIONAL TOLERANCES UNLESS OTHERWISE SPECIFIED			TITLE: 137 BINDING POST					
.XX	.000	.000X				DRAWING NUMBER: SD137		
±.015	±.005	---				ISSUE: G		
FRACTIONS	ANGLES	SCALE						
±1/64	±1°	2:1						
HEAT TREAT:	---		DRAWN: T. LORD DATE: 4/30/03					
PLOT SCALE:	1=1		CHECKED: T. LORD DATE: 4/30/03					
			APPROVED: T. LORD DATE: 4/30/03					