

# Binding Post - Insulated Standard

## SPECIFICATIONS

**Stud:** Brass per QQ-B-626D

**Finish:** Silver

**Insulating Material:** Nylon 6/6 per ASTM D4066

**Hardware:** Nickel plated nut (unassembled)

**Body Thread Stripping Torque:**

6.0 lb. in. (7.0 kg cm)

**Panel Thickness:** Up to .281 (7.15)

## RATINGS

**Current:** 15 amps

**Contact Resistance:** 0.010 ohms maximum

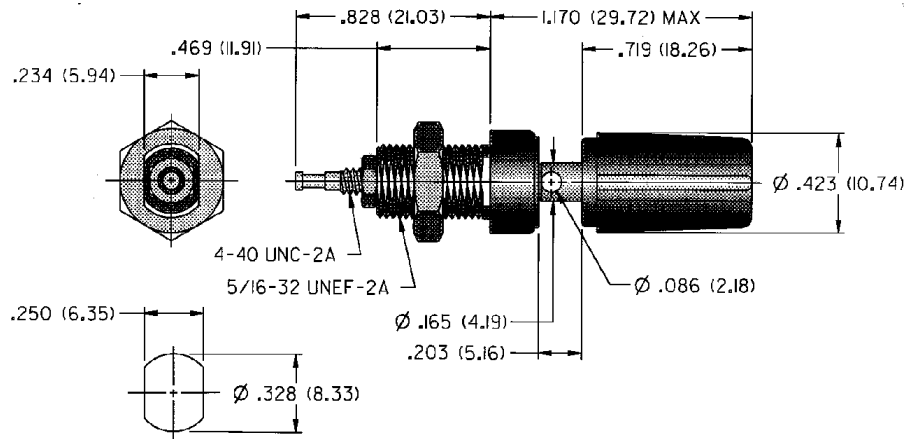
**Breakdown Voltage:** 5700 Vrms minimum +

**Stud-to-Panel:** 3.3 pF nominal



### SILVER PLATING

111-0104-001 Green



MOUNTING HOLE LAYOUT

**For Standard Banana Plug: .175 (4.44) Dia.**

## FEATURES:

- Turret terminal
- Captive thumb nut
- Insulated body is flatted to prevent turning
- Nylon UL approved for self-extinguishing