



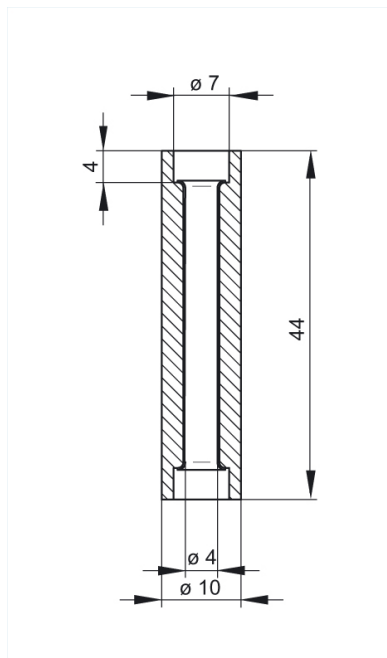
KD 10 rot/red

Industrial Connectors:Measuring and Testing Equipment:Sockets:4 mm system

Product description

Description	Insulated coupling with a nickel-plated brass tube for two 4 mm diameter plugs.
Type	KD 10 rot/red
Order No.	930 109-101
System	4 mm system
Housing Color	red
Color types	● ●
Other standard types	black color, order no. 930 109-100

Drawing



Technical data

Type of contact	socket
Type of termination	4 mm diameter socket
Rated voltage	DC 60 V
Rated current	10 A
Contact resistance	5 mOhm
Mounting	screw

Material

Contact material	brass
Contact surface material	nickel-plated

Housing material	PA
Environmental conditions	
Temperature range	-25 °C to +70 °C
Inflammability class	
Housing	94 V-0