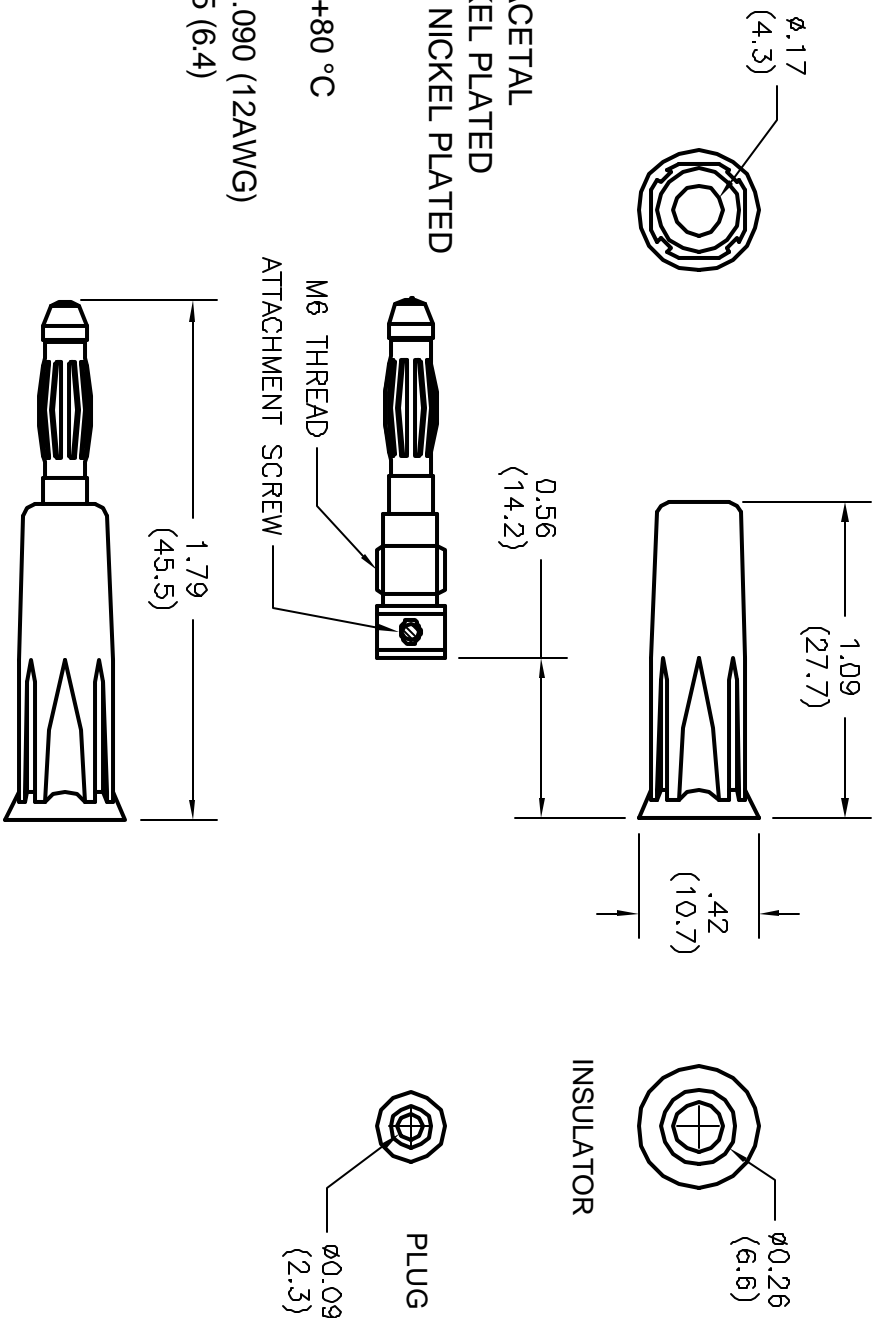


ALL RIGHTS RESERVED. NO PORTION OF THIS PUBLICATION, WHETHER IN WHOLE OR IN PART CAN BE REPRODUCED WITHOUT THE EXPRESS WRITTEN CONSENT OF SPC TECHNOLOGY.

REVISIONS		DOC. NO.	SPC-FD05	Effective:	12/21/88	Doc No.	880	
DCP #	REV	DESCRIPTION	DRAWN	DATE	CHECKD	DATE	APPRVD	DATE
170	A	RELEASED	HYO	2/11/00	JJC	2/11/00	DJC	4/29/00



- SPECIFICATIONS:**
1. INSULATOR BODY: POLYACETAL
 2. PLUG BODY: BRASS, NICKEL PLATED
 3. SPRING CONTACT: BECU, NICKEL PLATED
 4. VOLTAGE: 500V
 5. CURRENT: 36A MAX.
 6. TEMPERATURE: -20 °C TO +80 °C
 7. MAXIMUM WIRE SIZES:
CONDUCTOR: ϕ .090 (12AWG)
STRIP LENGTH: .25 (6.4)
 8. COLOR: RED

DISCLAIMER
ALL STATEMENTS AND TECHNICAL INFORMATION CONTAINED HEREIN ARE BASED UPON INFORMATION AND/OR TESTS WE BELIEVE TO BE ACCURATE AND RELIABLE. SINCE CONDITIONS OF USE ARE BEYOND OUR CONTROL, THE USER SHALL DETERMINE THE SUITABILITY OF THE PRODUCT FOR THE INTENDED USE AND ASSUME ALL RISK AND LIABILITY WHATSOEVER IN CONNECTION THEREWITH.

Tolerances Unless Otherwise Specified
Fractions $\pm 1/32$
Decimals
.XX \pm .01
.XXX \pm .005

DRAWN BY:	DATE:
HISHAM ODISH	2/11/00
CHECKED BY:	DATE:
JOHN COLE	2/11/00
APPROVED BY:	DATE:
DANIEL CAREY	4/28/00



SPC TECHNOLOGY

DRAWING TITLE:
DO-IT-YOURSELF 4mm PLUG, SCREW ATTACHMENT

SIZE	DWG. NO.	ELECTRONIC FILE	REV
A	2307	92N4669.DWG	A
SCALE:	NTS	U.O.M.: INCHES [mm]	SHEET: 1 OF 1