

# Banana Jack - Insulated Solder Terminal

## SPECIFICATIONS

**Contact:** Formed brass per QQ-B-626D

**Finish:** Bright tin

**Body:** Nylon 6/6 per ASTM D4066

**Hardware:** Nickel plated nut (unassembled)

**Body Thread Stripping Torque:** 6.0 lb. in. (7kg. cm.)

**Panel Thickness:** Up to .343 (8.80)

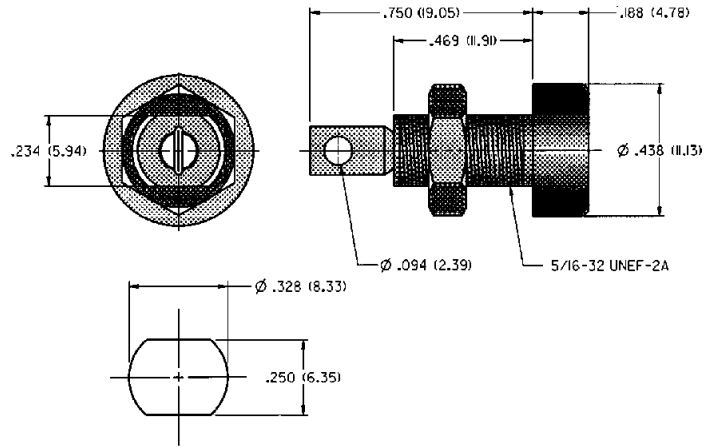
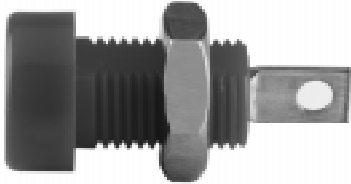
## RATINGS

**Current:** 15 amps

**Breakdown Voltage:** 7000 Vrms minimum †

**Contact Resistance:** 0.010 ohms maximum

**Contact-To-Panel:** 2.4 pF nominal



MOUNTING HOLE LAYOUT

<b>BRIGHT TIN PLATING</b>
---------------------------

108-0912-001 Violet
---------------------

**For Standard Banana Plug: .175 (4.44) Across Flats**

## FEATURES:

- Keyed mounting with double flats
- Accepts up to 16 gauge wire
- Nylon UL approved for self extinguishing