

Uninsulated Panel Mount Screw Type Beryllium Copper Spring

SPECIFICATIONS

Plug Body: Brass per QQ-B-626D

Plug Spring: Beryllium copper per QQ-C-533

Finish: Nickel

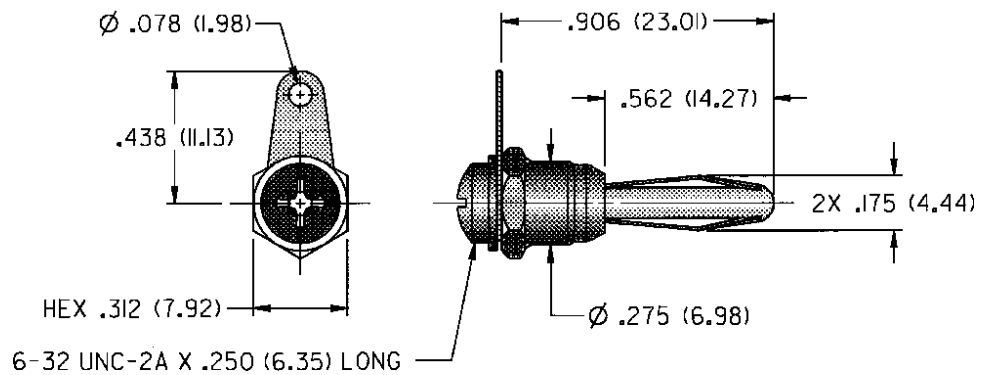
Panel Thickness: Up to .156 (4.00)

Hardware: Nickel plated nut, stamped tin plated
solder terminal (unassembled)

RATINGS

Current: 15 amps

Contact Resistance: 0.010 ohms maximum



NICKEL PLATING

108-0753-102

For Standard Banana Jack: $.166$ (4.23) Diameter

FEATURES:

- Rugged screw type
- Stamped tin plated solder terminal with hole for up to 14 gauge wire