

Banana Plug - Uninsulated Panel Mount Threaded Stud

SPECIFICATIONS

Plug Body: Brass per QQ-B-626D

Plug Spring: Nickel silver per QQ-C-585

Finish: Nickel

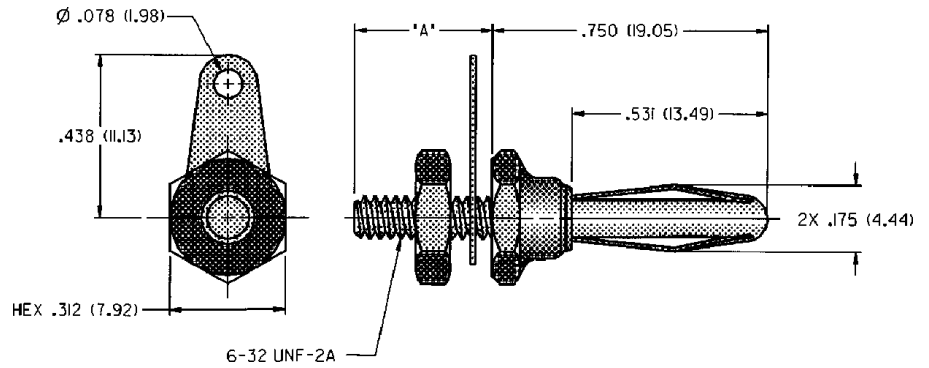
Panel Thickness: Up to .25 (6.35) .625 (16.00)

Hardware: Nickel plated nut, stamped tin plated
solder terminal (unassembled)

RATINGS

Current: 15 amps

Contact Resistance: 0.010 ohms maximum



NICKEL PLATING	
108-0750-001	.375 (9.50)

For Standard Banana Jack: $.166$ (4.23) Diameter

FEATURES:

- Two stud lengths adapt to different panel sizes
- Pierced hole for up to 14 gauge wire