

# Banana Plug - Insulated Stacking Dual Type

## SPECIFICATIONS

**Plug Body:** Brass per QQ-B-626D

**Plug Spring:** Nickel silver per QQ-C-586

**Finish:** Nickel

**Insulated Handle:** Nylon 6/6 per ASTM D4066

## RATINGS

**Current:** 15 amps

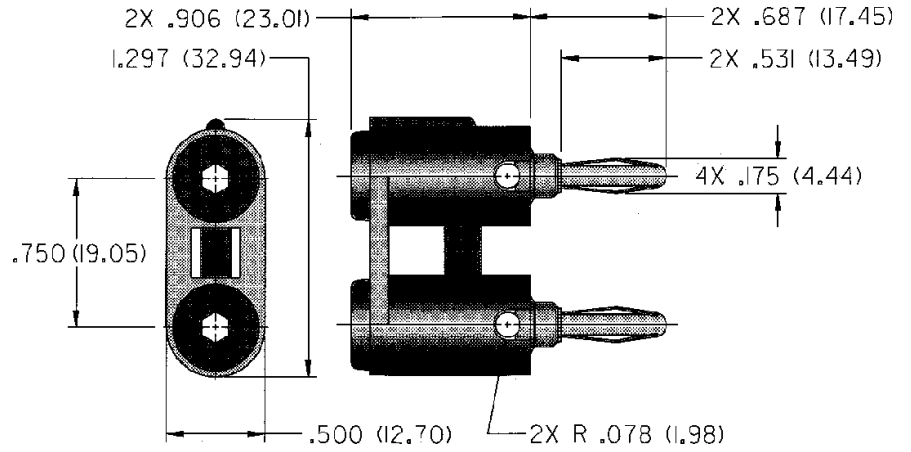
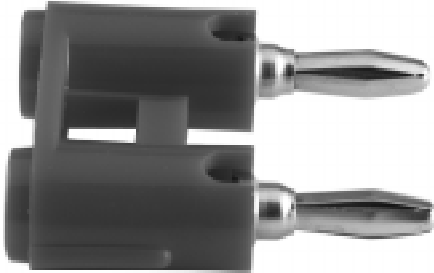
**Breakdown Voltage:** 3500 Vrms minimum †

**Contact Resistance:** 0.010 ohms maximum

**For Standard Banana Jack: .166 (4.23) Diameter**

## FEATURES:

- Accepts standard banana plug from rear
- Built-in strain relief for long life
- Nylon UL approved for self extinguishing



## NICKEL PLATING

### SET SCREW

(Accepts wire sizes up to 14 gauge)

PART NO.	COLOR
108-0253-001	Black