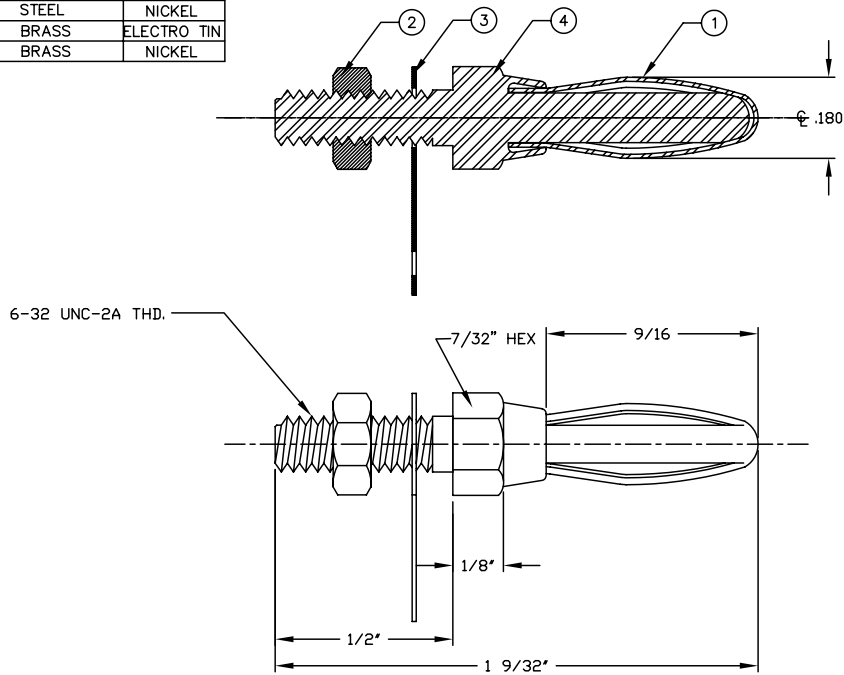


| BILL OF MATERIALS | | | | |
|-------------------|------|-------------|----------|-------------|
| DET. | QTY. | DESCRIPTION | MATERIAL | FINISH |
| 1 | 1 | SPRING | BE CU | NICKEL |
| 2 | 1 | HEX NUT | STEEL | NICKEL |
| 3 | 1 | LUG | BRASS | ELECTRO TIN |
| 4 | 1 | BODY | BRASS | NICKEL |

FULL SECTION

| REVISIONS | | | |
|-----------|-------------|------------|------|
| SYM | DESCRIPTION | REVISED BY | DATE |
| | | | |



| | | | | | | |
|--|-------------|--------|--------------------------------|--|--------------|--------------|
| MATERIAL | "SEE TABLE" | FINISH | SEE TABLE | ABBATRON Electronic Connectors and Hardware 632 Arch Street, Meadville, Pa. 16335 | | |
| DIMENSIONAL TOLERANCES UNLESS OTHERWISE SPECIFIED | | TITLE | | | | |
| .XX | .XXX | .XXXX | 103 BANANA PLUG ASSEMBLY | DRAWN: | T. LORD | DATE 3/16/04 |
| ---- | ---- | ---- | | CHECKED: | T. LORD | DATE 3/16/04 |
| FRACTIONS | ANGLES | SCALE | APPROVED: | T. LORD | DATE 3/16/04 | B |
| ---- | ---- | 4:1 | PLOT SCALE: | 1:1 | | SD-103 |
| HEAT TREAT | | | | | | — |