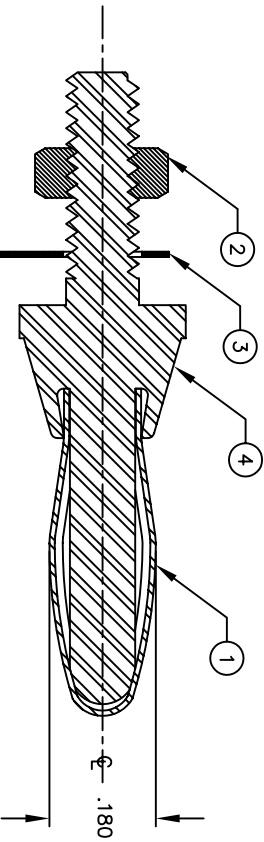
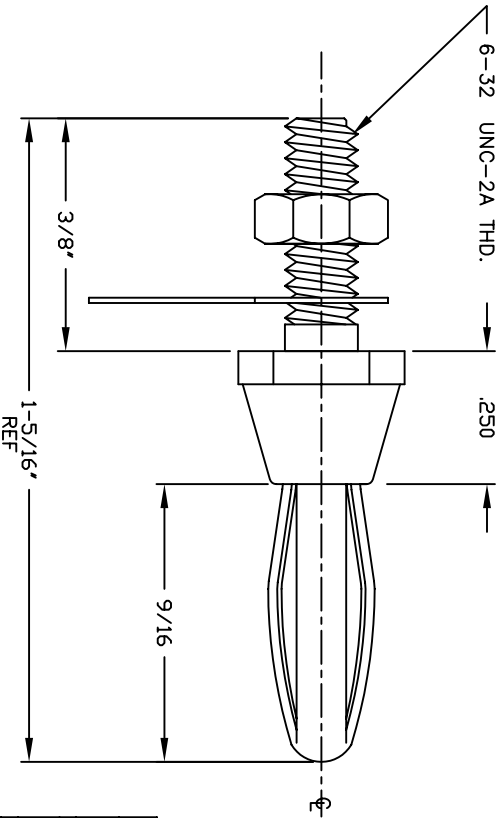


BILL OF MATERIALS				
DET.	QTY.	DESCRIPTION	MATERIAL	PLATING
1	1	SPRING	BE CU	NICKEL
2	1	HEX NUT	STEEL	ZINC
3	1	LUG	.010 BRASS	TIN
4	1	BODY	BRASS	NICKEL

### FULL SECTION



NOTE 1: BODY AND SPRING TO BE ASSEMBLED BEFORE PLATE



MATERIAL: "SEE TABLE"		FINISH: "SEE TABLE"	
DIMENSIONAL TOLERANCES UNLESS OTHERWISE SPECIFIED		TITLE: BANANA PLUG ASSEMBLY	
XX	.XXX	.XXXX	
---	---	---	
FRACTIONS	ANGLES	SCALE	
---	---	4:1	
HEAT TREAT: ---	DRAWN: S. GERHOLD	DATE: 7-27-95	SIZE: B
PLOT SCALE: 1=1	CHECKED: E. MCKINNEY	DATE: 8-1-95	DRAWING NUMBER: SD-102
	APPROVED: KLOECKER	DATE: 8-3-95	ISSUE: C

**ABBATRON**

Electronic Connectors and Hardware  
632 Arch Street, Meadville, Pa. 16334

REVISIONS	
SYM	DESCRIPTION

REVISED DATE APPR