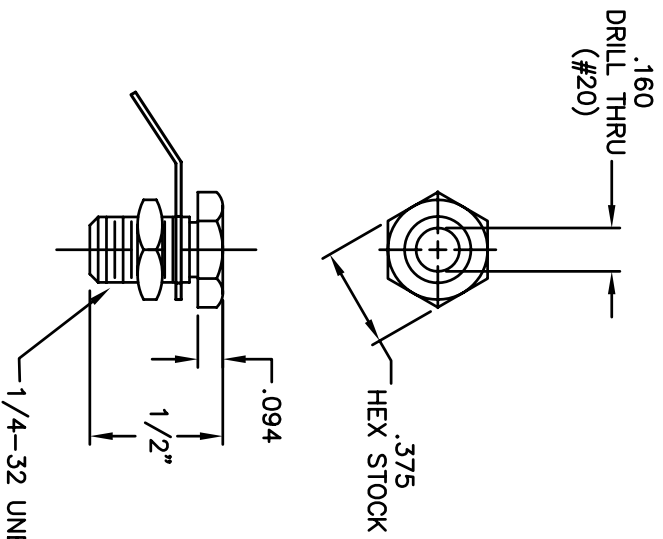


BILL OF MATERIALS				
DET.	QTY.	DESCRIPTION	MATERIAL	PLATING
1	1	BODY	BRASS	NICKEL
2	1	NUT	BRASS	NICKEL
3	1	LUG	BRASS	TIN

REVISIONS		SYM	DESCRIPTION	REVISED DATE	APPR



**NOTE:**  
 1.) RECOMMENDED TORQUE LIMIT  
 24 INCH LB

<b>MATERIAL:</b> SEE TABLE		<b>FINISH:</b> SEE TABLE	
<b>DIMENSIONAL TOLERANCES</b> UNLESS OTHERWISE SPECIFIED		<b>TITLE:</b> 101	
XX	.XXX	BANANA JACK ASSEMBLY	
---	---		
<b>FRACTIONS</b>	<b>ANGLES</b>	<b>SCALE</b> 2X	
---	---		
<b>HEAT TREAT:</b>	---	<b>DRAWN:</b> C. McBRIDE	<b>DATE:</b> 08-02-00
<b>PLOT SCALE:</b> 1=1		<b>CHECKED:</b> .	<b>DATE:</b> .
		<b>APPROVED:</b> .	<b>DATE:</b> .
<b>ABBATRON</b> Electronic Connectors and Hardware 632 Arch Street, Meadville, Pa. 16335		<b>SIZE</b> B	<b>DRAWING NUMBER</b> SD-101
			<b>ISSUE</b> C