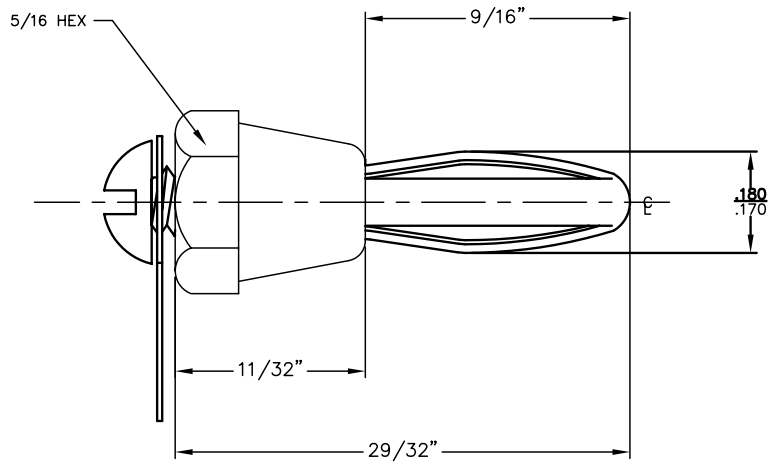


REVISIONS			
SYM	DESCRIPTION	REVISED BY	DATE



PART#	FINISH
100	NICKEL
100AD	GOLD

**NOTE:**

MATERIAL-

BODY: BRASS  
 SPRING: BeCu  
 SCREW: STEEL  
 LUG: BRASS

THIS DRAWING AND THE INFORMATION THEREIN IS THE PROPERTY OF ABBATRON, LLC AND ALL UNAUTHORIZED USE OR REPRODUCTION THEREOF IS PROHIBITED.	MATERIAL: SEE NOTE		FINISH: SEE TABLE	HEAT TREAT: ---	<b>ABBATRON</b> Electronic Connectors and Hardware 632 Arch Street, Meadville, Pa. 16335	
	DIMENSIONAL TOLERANCES UNLESS OTHERWISE SPECIFIED			TITLE: 100 & 100AD BANANA PLUG		
	.XX	.XXX	.XXX	---		
	---	---	---	---		
	FRACTIONS	ANGLES	SCALE			
	---	---	---			
	SURFACE FINISH 125/					
	DRAWN: T. LORD		DATE: 6/30/06	SIZE	DRAWING NUMBER	
	CHECKED: T. LORD		DATE: 6/30/06	A	SD-100	
	APPROVED: T. LORD		DATE: 6/30/06		ISSUE	
					-	