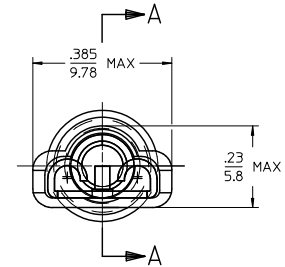
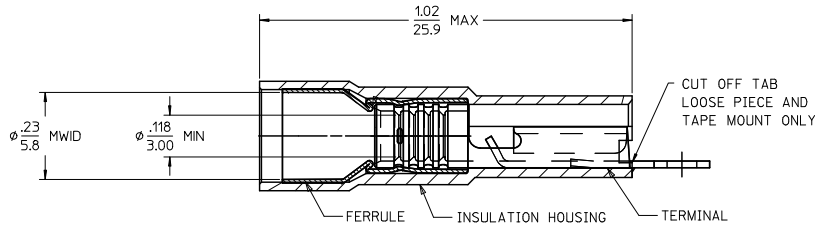
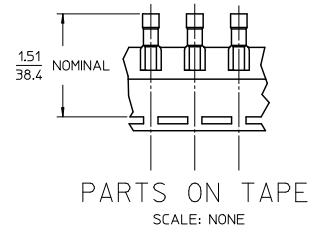
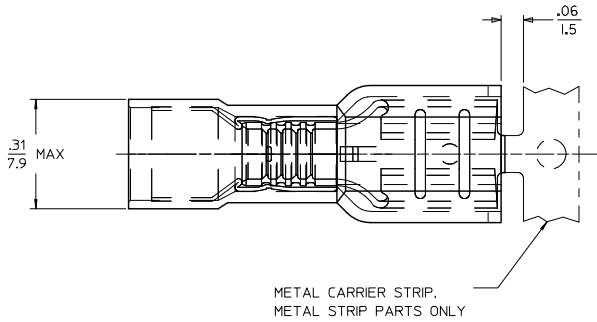


13	12	11	10	9	8	7	6	5	4	3	2	1
MATERIAL NO.	ENGINEERING P/N	CARRIER STYLE										
196060004	C-5293Z	METAL STRIP										
196060005	C-5293	LOOSE PIECE										
196060006	C-5293T	TAPE MOUNT										



SECTION A-A

NOTES:

- MATERIALS:
HOUSING: 94V-2 NYLON, YELLOW
TERMINAL: BRASS, .018/0.46 THICK REF., MATTE TIN PLATED
FERRULE: COPPER ALLOY, MATTE TIN PLATED
- ACCEPTS TAB SIZE .250 x .032 (6.35 x 0.81).
- MWD = MAXIMUM WIRE INSULATION DIAMETER.
- PARTS ARE ROHS COMPLIANT.

RLS: FERRULE MAT'L EC NO: WNA2010-0610 DRW: ETHRODAHL 2010/03/31 CHK: JMACNEIL 2010/03/31 APPR: JMACNEIL 2010/04/12	QUALITY SYMBOLS ▽=0 ▽=0	GENERAL TOLERANCES (UNLESS SPECIFIED)		DIMENSION STYLE		SCALE	DESIGN UNITS	THIRD ANGLE PROJECTION	
		mm	INCH	IN/MM		5:1	INCH		
		4 PLACES	+---	+---	DRAWN BY	DATE	TITLE		
		3 PLACES	+---	+---	ETHRODAHL	2010/03/31	FIOD FEMALE AVIKRIMP LOW PROFILE .250X.032 TAB, 12-10 AWG		
2 PLACES	+---	+---	CHECKED BY	DATE	MATERIAL NO.				
1 PLACE	+---	+---	JMACNEIL	2010/03/31	DOCUMENT NO.				
ANGULAR ±1/2°		APPROVED BY		DATE	SD-19606-003				
DRAFT WHERE APPLICABLE MUST REMAIN WITHIN DIMENSIONS		JMACNEIL		2010/04/09	SHEET NO.				
		SEE CHART		1 OF 1			MATERIAL NO. SD-19606-003		
		THIS DRAWING CONTAINS INFORMATION THAT IS PROPRIETARY TO MOLEX INCORPORATED AND SHOULD NOT BE USED WITHOUT WRITTEN PERMISSION							