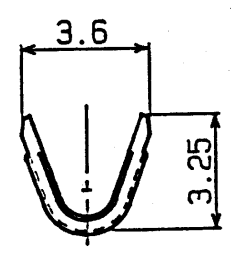
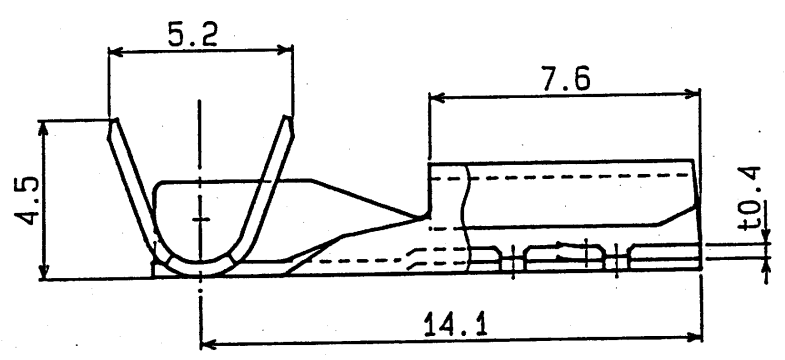


THIS DRAWING/DOCUMENT IS THE PROPERTY OF J.S.T. (U.K.) LTD. IT MUST NOT BE COPIED OR USED FOR MANUFACTURE WITHOUT WRITTEN PERMISSION FROM J.S.T. (U.K.) LTD.



A-A SEC.

J.S.T. (U.K.) LTD.  
11 JAN 2002  
TECH-SALES SUPPORT

- NOTE
1. Dimensions are in MM.
  2. General tolerances
    - 0 - 3.0 :±0.2
    - 3.1 - 9.0 :±0.3
    - 9.1 - :±0.5

**UNCONTROLLED ISSUE**

No.	TERMINAL NAME	BRASS MATERIAL	TIN-PLATED REMARKS	REVISIONS
<b>J. S. T.</b>				PART NAME
APPROVED BY	CHECKED BY	DRAWN BY	SCALE	PROJECTION
PART No.		SFO-1. 0T-250N		
DRAWING No.		KRD- 14419		
				ISSUE

THIS DRAWING CONTAINS INFORMATION THAT IS PROPRIETARY TO JST AND SHOULD NOT BE USED WITHOUT WRITTEN PERMISSION.

0251011000N