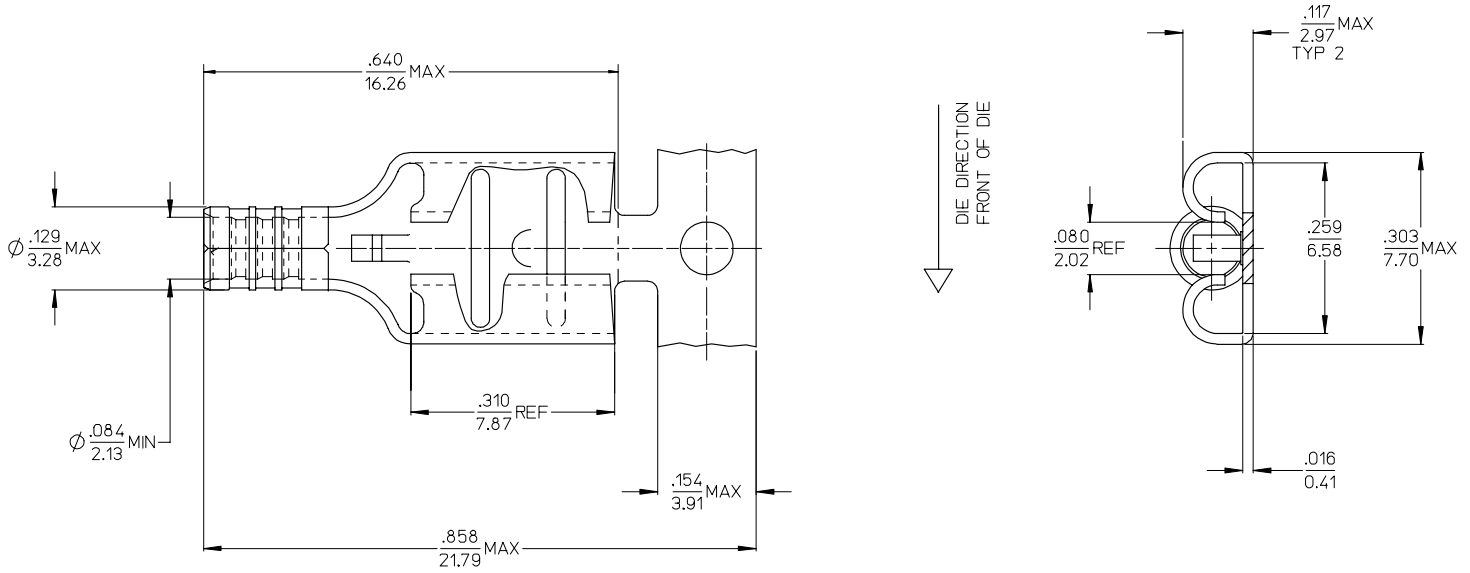


MATERIAL NUMBER	ENGINEERING NUMBER	CARRIER	FINISH
190160111	BB-1141	LOOSE	TIN PLATING
190160063	BBZ-1141	STRIP	TIN PLATING
190160126	BB-1141-N	LOOSE	NICKEL PLATING



- NOTES:
1. ENTIRE PART TO BE FREE OF BURRS AND SHARP EDGES
  2. LOOSE PIECE PARTS TO HAVE CUT-OFF TAB .005-.020
  3. MATERIAL: 3/4 HARD BRASS

REV	DESCRIPTION	QUALITY SYMBOLS	GENERAL TOLERANCES (UNLESS SPECIFIED)		DIMENSION STYLE	SCALE	DESIGN UNITS	THIRD ANGLE PROJECTION
			mm	INCH	IN/MM	4:1	INCH	☉
RELEASED	EC NO: EITC2006-0143	▽=0	4 PLACES	± --- ± ---	DRAWN BY	JLOMASTRO	DATE	05/12/07
DRWNSAYDEH	2005/12/12	▽=0	3 PLACES	± --- ± .010	CHECKED BY	RDEROSS	DATE	05/12/07
CHKDRBEROSS	2005/12/13		2 PLACES	± 0.25 ± .02	APPROVED BY	RDEROSS	DATE	05/12/07
APPRDRBEROSS	2005/12/14		1 PLACE	± 0.3 ± ---	MATERIAL NO.	SEE CHART	DOCUMENT NO.	SD-19016-003
			ANGULAR ±1/2°		DRAFT WHERE APPLICABLE MUST REMAIN WITHIN DIMENSIONS		MATERIAL NO. SEE CHART	
					SIZE B		THIS DRAWING CONTAINS INFORMATION THAT IS PROPRIETARY TO MOLEX INCORPORATED AND SHOULD NOT BE USED WITHOUT WRITTEN PERMISSION	

MOLEX INCORPORATED  
 QUICK CONNECT RECEPTACLE FOR 16-14 AWG .250X.032 TAB SIZE  
 SD-19016-003  
 1 OF 1