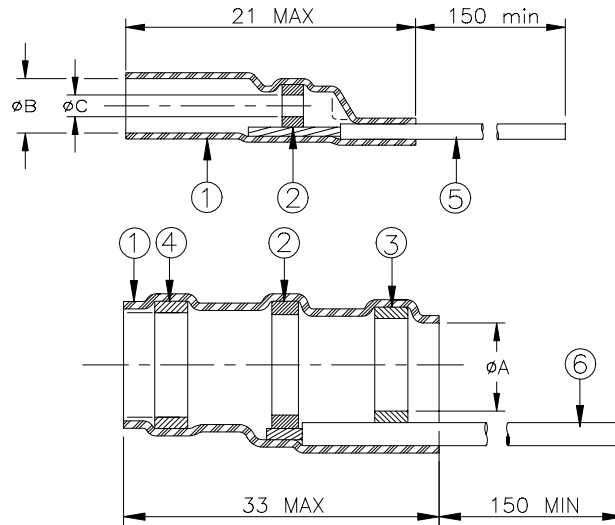


## SPECIFICATION CONTROL DRAWING



Product Revision		Product Dimensions			Cable Dimensions				
Product Name		øA min	øB min	øC min	Typical	øE min	G	M	N
CWT-4058-W122-5/9	A	6.0 (0.235)	3.1 (0.120)	1.0 (0.040)	RG 58	3.3 (0.130)	19.0 (0.750)	12.5 (0.500)	6.0 (0.235)
CWT-4059-W122-5/9	A	7.0 (0.275)	3.9 (0.155)	1.0 (0.040)	RG59	3.7 (0.145)	19.0 (0.750)	12.5 (0.500)	6.0 (0.235)
CWT-4174-W122-5/9	A	4.5 (0.175)	1.7 (0.065)	1.0 (0.040)	RG 174	2.3 (0.090)	19.0 (0.750)	12.5 (0.500)	6.0 (0.235)

### MATERIALS

1. INSULATION SLEEVE: Heat-shrinkable, transparent clear, radiation cross-linked modified polyolefin.
2. SOLDER PREFORM WITH FLUX:  
SOLDER: TYPE Cd18 per ANSI-J-STD-006.  
FLUX: TYPE ROM1 per ANSI-J-STD-004.
3. MELTABLE RING: Thermally stabilized thermoplastic. Color:clear.
4. MELTABLE RING: Thermally stabilized thermoplastic. Color:blue.
5. CONDUCTOR LEAD: Cross-linked polyolefin insulated stranded, tin plated copper. Color:white.
6. GROUND LEAD: Cross-linked polyolefin insulated stranded, tin plated copper. Color:green.

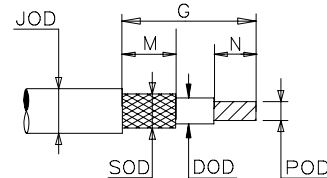
### APPLICATION

1. These parts are designed to provide an environment protected coaxial termination on cables, rated for at least +65°C minimum, meeting the dimensional criteria listed, having bare copper, tin or silver plated shields and conductors.
2. Temperature range: -55°C to +125°C. Install using Raychem-approved convection heating tools in accordance with Raychem installation procedure RPIP-824-00.

#### Part selection:

- JOD: Cable jacket must be less than øA min.  
DOD: Cable dielectric must be less than øB min.  
SOD: Cable shield must be greater than øE min.  
POD: Conductor must be between øC min and 0.3(.012).

For best results, prepare the cable as shown:



\* A trademark of Tyco Electronics Corporation.

<b>tyco</b> Electronics		Tyco Electronics Corporation 305 Constitution Drive Menlo Park, CA 94025, USA		<b>Raychem</b> Products		TITLE: <b>COAXIAL TERMINATION KIT</b>	
UNLESS OTHERWISE SPECIFIED DIMENSIONS ARE IN MILLIMETERS. INCHES DIMENSIONS ARE BETWEEN BRACKETS.				DOCUMENT NO.: <b>CWT-4XXX-W122-5/9</b>			
TOLERANCES: 0.00 N/A 0.0 N/A 0 N/A		ANGLES: N/A ROUGHNESS IN MICRON		Tyco Electronics reserves the right to amend this drawing at any time. Users should evaluate the suitability of the product for their application.		DATE: 7/6/98	
DRAWN BY: JRIVERA		REPLACES: D981001		DCR NUMBER: D981255		PROD. REV. SEE TABLE	
SCALE: None		SIZE: A		SHEET: 1 of 1		DOC ISSUE: 2	

If this document is printed it becomes uncontrolled. Check for the latest revision.