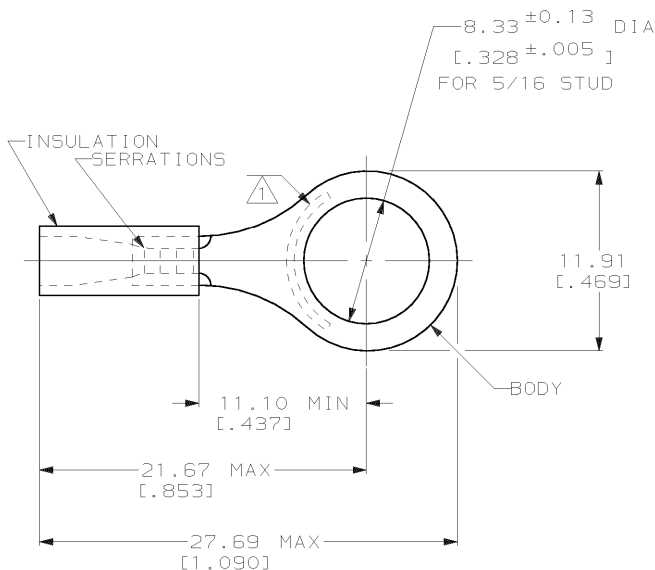


DRAWING MADE IN THIRD ANGLE PROJECTION

THIS DRAWING IS UNPUBLISHED. RELEASED FOR PUBLICATION .19 .
 © COPYRIGHT 19 BY AMP INCORPORATED. ALL INTERNATIONAL RIGHTS RESERVED.

LOC	DIST	P	F	ZONE	LTR	REVISIONS	DATE	APPD
G	14					REV PER 063A-0013-01	20FEB01	JR TH

AMP WIRE RANGE	UL Listed	CSA LR7189 Certified
22-16 AWG SOLID OR STRANDED	22-16 AWG SOLID OR STRANDED	22-16 AWG SOLID OR STRANDED



- ① STAMP AMP 22-18* APPROX AS SHOWN
22-16 TERMINALS ARE STAMPED 22-18 IN
ACCORDANCE WITH MILITARY SPEC MIL-T-7928
COMMERCIAL WIRE RANGE IS 22-16
- 2 WIRE INSULATION DIA: 2.67-3.56 [.105-.140]
- 3 TONGUE MATERIAL THK: 0.79 ± 0.05 [.031 ± .002]
- ④ PVC COLOR: RED
- ⑤ PVC COLOR: BLACK

QUANTITY	PACKAGE TYPE	PART NO
25	LOOSE PC, BAG	④ 8-34151-5
100	LOOSE PC, BOX	④ 8-34151-1
5000	ON TAPE, REEL	⑤ 2-34151-3
5000	ON TAPE, REEL	④ 2-34151-1
1000	LOOSE PIECE	④ 34151

AMP INCORPORATED CUSTOMER SERVICE SYSTEMS		MAX RECOMMENDED OPERATING TEMPERATURE: 90°C [194°F]	DO NOT SCALE PRINT. UNLESS SPECIFIED DIMENSIONS IN MM [INCHES] TOLERANCES ON: 2. PLC DEC ± 0.20 [L.008] 3. PLC DEC ± - ANGLES ± -	DR 08/06/92 DK SCHIRM CHK 11/10/92 RE HERSEY APPD 11/10/92 ML ELLIS APPD 11/10/92 M BARNABA	AMP AMP Incorporated Harrisburg, PA 17105-3608
FOR ADDITIONAL PRODUCT INFORMATION OR COPIES OF DRAWINGS AND TECHNICAL DOCUMENTS	PRODUCT INFORMATION CENTER 1-800-522-6752	VOLTAGE RATING: 600V MAX 1000V (FIXTURE OR SIGNS)	MATERIAL COPPER PER ASTM B-152 SEE TABLE	PRODUCT SPEC UL 486A	NAME TERMINAL, RING TONGUE, PLASTI-GRIP WIRE SIZE, 22-16 AWG
FOR APPLICATION	TOOLING ASSISTANCE CENTER 1-800-722-1111	CIRCULAR MIL AREA: 0.26-1.65mm² [509-3,260]	FINISH TIN PLATE PER MIL-T-10727	APPLICATION SPEC -	SIZE B
FOR ORDER ENTRY	1-800-526-5142	THIS DRAWING IS A CONTROLLED DOCUMENT FOR AMP INCORPORATED. IT IS SUBJECT TO CHANGE AND THE CONTROLLING ENGINEERING ORGANIZATION SHOULD BE CONTACTED FOR THE LATEST REVISION.		WEIGHT -	CAGE CODE 00779
AMP 1470-15 REV 3-92 28 MAR 1995 13:46:26 AMP10398 <UUI28A>DEPT1132>U.DWG1132>U.RBY>U.PLASTI-GRIP>U.CUST					DRAWING NO C=34151
					SCALE 4:1
					SHEET 1 OF 1

CUSTOMER DRAWING