

4

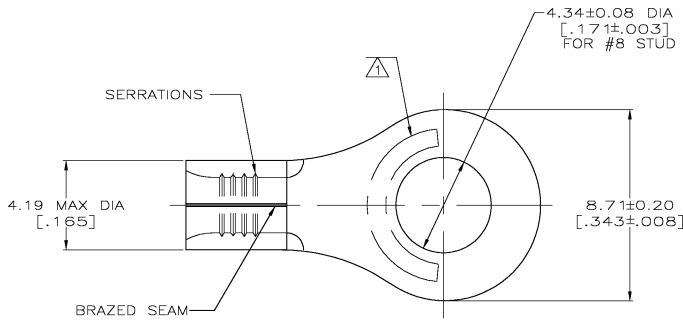
3

2

1

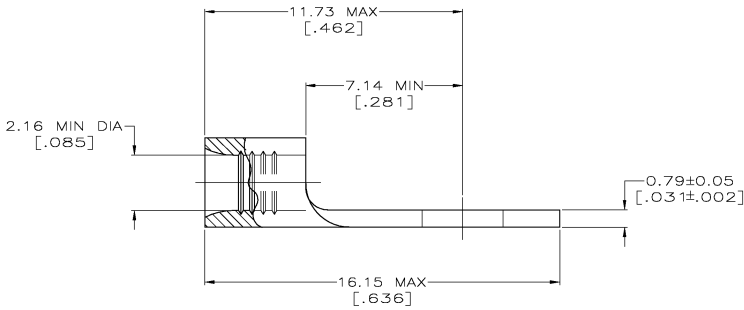
THIS DRAWING IS UNPUBLISHED. RELEASED FOR PUBLICATION
 © COPYRIGHT BY TYCO ELECTRONICS CORPORATION. ALL RIGHTS RESERVED.

LOC		DIBT		REVISIONS			DAP	DATE	DMN	APVD
P	LR	P	LR	DESCRIPTION						
G	14	F		REV PER 063A-0602-03			30SEP2003	JR	MS	



AMP WIRE RANGE	Listed FILE E13288	LR7189 Certified
16-14 AWG SOLID OR STRANDED	N/A	N/A

△ STAMP AMP 16-14* APPROX AS SHOWN



5000	ON TAPE, REEL	2-322694-2
-	LOOSE PIECE	322694-0
QTY	PACKAGE TYPE	PART NO

AMP INCORPORATED CUSTOMER SERVICE SYSTEMS		MAX RECOMMENDED OPERATING TEMPERATURE: 343° C
FOR ADDITIONAL PRODUCT INFORMATION OR COPIES OF DRAWINGS AND TECHNICAL DOCUMENTS	PRODUCT INFORMATION CENTER 1-800-522-6752	VOLTAGE RATING: N/A
FOR APPLICATION	TOOLING ASSISTANCE CENTER 1-800-722-1111	CIRCULAR MIL AREA: 1.04-2.62mm²(2.050-5.180) SOLID OR STRANDED
FOR ORDER ENTRY	1-800-526-5142	THIS DRAWING IS A CONTROLLED DOCUMENT FOR AMP INCORPORATED. IT IS SUBJECT TO CHANGE AND THE CONTROLLING ENGINEERING ORGANIZATION SHOULD BE CONTACTED FOR THE LATEST REVISION.

THIS DRAWING IS A CONTROLLED DOCUMENT.		DW: TA BRINKMAN 4-18-93	Tyco Electronics Corporation Harrisburg, PA 17105
DIMENSIONS: INCHES		CK: DA PATTERSON 4-18-93	
MATERIAL: COPPER PER		FINISH: NICKEL PLATE	DA PATTERSON 4-18-93
TERMINALS UNLESS OTHERWISE SPECIFIED: Ø PLG ± - Ø PLG ± - Ø PLG ± - Ø PLG ± - Ø PLG ± - ANGLES ± -		APPLICATION SPEC: HEIGHT: -	TERMINAL, RING TONGUE, HEAT RESISTANT, STRATO-THERM
CUSTOMER DRAWING		SCALE: 8:1	SIZE: A2 CASE CODE: 00779 DRAWING NO: C=322694

AMP 1471-9 REV 31MAR2000

H:\dmlermod\

322694

A

F