

NOTES:

① MAT'L: COPPER (STOCK TKN. 040) ^{±.001}

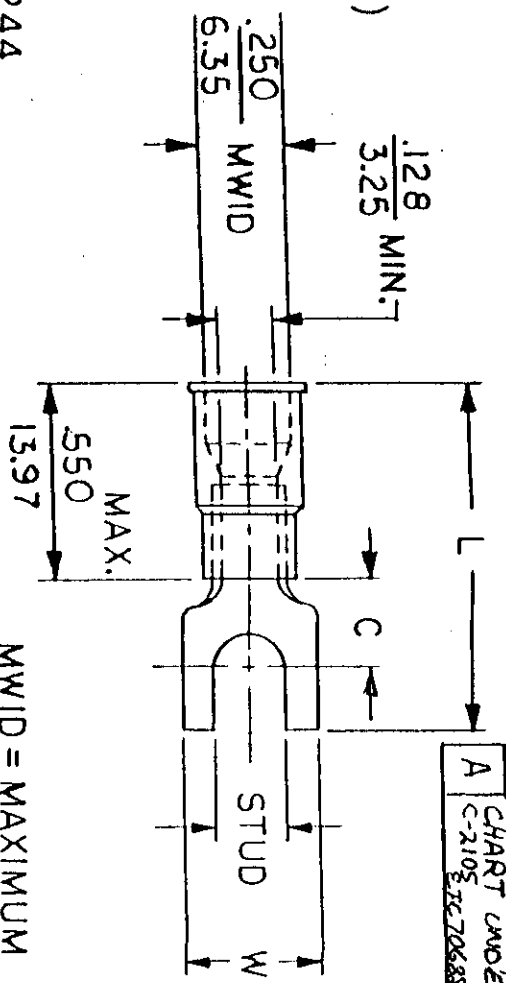
PLATING: ELECTRO-TIN (.0003 MIN.)
 ② INSULATION: MOLDED PVC (YELLOW)

STUD SIZES: (±.005)

- 02 = .094
- 04 = .119
- 06 = .146
- 08 = .173
- 10 = .198
- 14 = .265
- 56 = .328
- 38 = .390

"UL" LISTING #E32244
 "CSA" LISTING #18689

ALL DIMENSIONS = INCHES
 M M



MWID = MAXIMUM WIRE
 INSULATION DIAMETER
 WIRE SIZE: 12-10AWG
 40-60MM²

FILE NO. C-CD-203-01

REV A ADDED 8X, 10X TO CHART UNDER PART# C-2105 IC70688 1/31/88

PART NUMBER	"W" ±.010	"C" MIN.	"L" MAX.	AVAILABLE STUD SIZES
C-2102-	$\frac{.415}{10.54}$	$\frac{.305}{7.75}$	$\frac{1.075}{27.31}$	08X
C-2105-	$\frac{.320}{8.13}$	$\frac{.305}{7.75}$	$\frac{1.075}{27.31}$	06X, 08X, 10X

DIMENSIONAL TOLERANCES UNLESS OTHERWISE SPECIFIED		REFERENCE	SCALE:	NTS	DATE	TITLE
FRAC.	DEC.	ANG.	DRWN. BY: JJ	10:31:84	11:25:84	SPADE TONGUE TERMINAL
			CHKD. BY: GZ			INSULKRIMP
			APPD. BY:			200-SERIES

DWG. NO.	A.	CUSTOMER DWG.
----------	----	---------------

