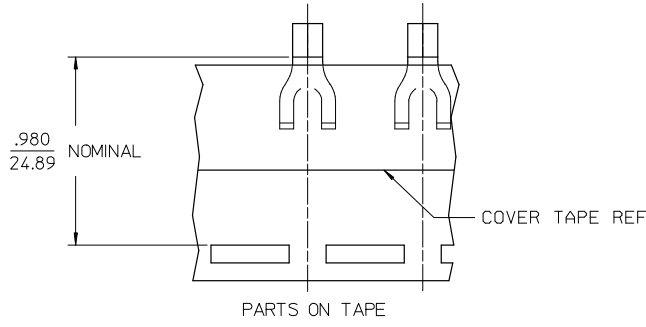
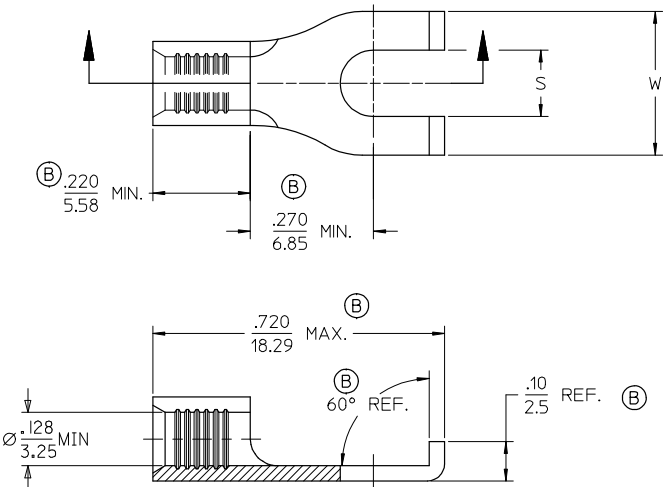


LOOSE PIECE		TAPE MOUNTED				
MATERIAL NUMBER	ENGINEERING NUMBER	MATERIAL NUMBER	ENGINEERING NUMBER	STUD SIZE	S ±.005	W MAX
191180084	C-117-06	191180130	C-117-06T	6	.146/3.71	.345/8.76 (B)
191180086	C-117-08	191180087	C-117-08T	8	.173/4.39	.385/9.78
191180088	C-117-10	191180090	C-1167-10T	10	.209/5.3 (B)	.385/9.78



SALES DRAWING

- NOTES:
 1. MATERIAL: COPPER .040/1.02 THICK
 2. PLATING: ELECTRO-TIN
 (B) 3. PART IS RoHS COMPLIANT

ADD NOTE 3, REV. DIMS EC NO: ETC2008-0012 DRAWN BY: DRWHRSTONE 2007/11/26 CHKD: JMACNEIL 2007/11/26 APPR: JMACNEIL 2007/12/05 REV DESCRIPTION	QUALITY SYMBOLS	GENERAL TOLERANCES (UNLESS SPECIFIED)	DIMENSION STYLE IN/MM	SCALE 4:1	DESIGN UNITS INCH	THIRD ANGLE PROJECTION
	▽=0 ▽=0	mm INCH 4 PLACES ± --- ± --- 3 PLACES ± --- ± .005 2 PLACES ± 0.13 ± .01 1 PLACE ± 0.25 ± --- ANGULAR ± 5 °	DRAWN BY DATE BENDERLE 2005/02/07 CHECKED BY DATE R DEROSS 2005/02/07 APPROVED BY DATE R DEROSS 2005/02/07	TITLE	FLANGED SPADE TERMINAL, KRIMP TITE, 12-10 AWG	
		DRAFT WHERE APPLICABLE MUST REMAIN WITHIN DIMENSIONS	MATERIAL NO. SEE CHART	MOLEX INCORPORATED DOCUMENT NO. SD-19118-002		SHEET NO. 1 OF 1
			THIS DRAWING CONTAINS INFORMATION THAT IS PROPRIETARY TO MOLEX INCORPORATED AND SHOULD NOT BE USED WITHOUT WRITTEN PERMISSION			