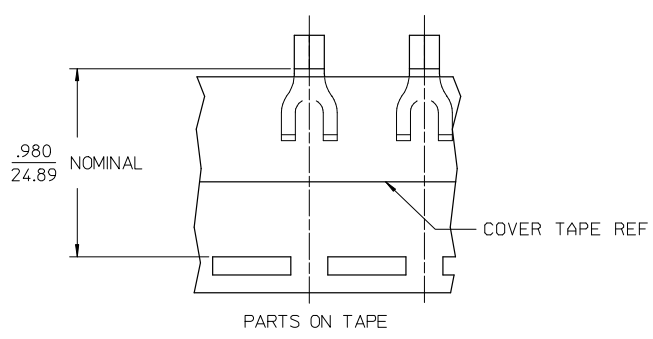
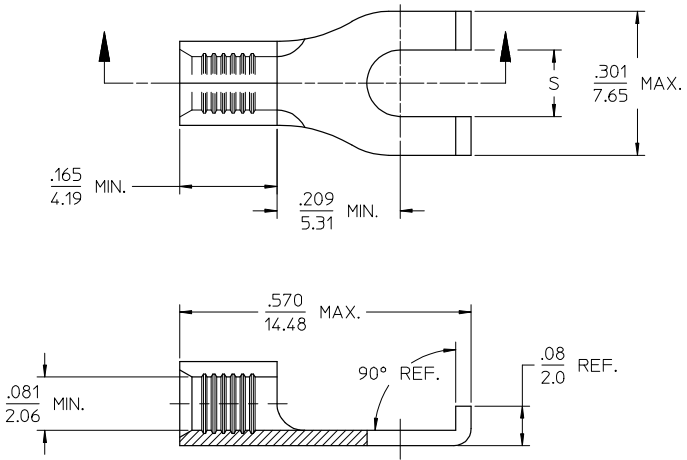


LOOSE PIECE		TAPE MOUNTED		STUD SIZE	S ±.005
MATERIAL NUMBER	ENGINEERING NUMBER	MATERIAL NUMBER	ENGINEERING NUMBER		
191180054	BB-116-06	191180055	BB-116-06T	6	.146/3.71
191180056	BB-116-08	191180057	BB-116-08T	8	.173/4.39
191180058	BB-116-10	191180059	BB-116-10T	10	.198/5.03



SALES DRAWING

- NOTES:  
 1. MATERIAL: COPPER .031/.79 THICK  
 2. PLATING: ELECTRO-TIN  
 3. PART IS RoHS COMPLIANT

RELEASED TO PROD. EC NO: ETC2008-0012 DRAWN BY: DRWHPSTONE 2007/11/26 CHKD: JMACNEIL 2007/11/26 APPR: JMACNEIL 2007/12/05	QUALITY SYMBOLS ▽=0 ▽=0	GENERAL TOLERANCES (UNLESS SPECIFIED)		DIMENSION STYLE IN/MM		SCALE ---	DESIGN UNITS INCH	THIRD ANGLE PROJECTION
		4 PLACES ± --- ± ---	3 PLACES ± --- ± .005	2 PLACES ± 0.13 ± .01	1 PLACE ± 0.25 ± ---	ANGULAR ± --- °	DRAWN BY: K0 DATE: 1984/10/18	CHECKED BY: GZ DATE: 1984/10/23
A	REV	DRAFT WHERE APPLICABLE MUST REMAIN WITHIN DIMENSIONS		SIZE B	SEE CHART	MATERIAL NO. GZ	DOCUMENT NO. SD-19118-001	SHEET NO. 1 OF 1
		THIS DRAWING CONTAINS INFORMATION THAT IS PROPRIETARY TO MOLEX INCORPORATED AND SHOULD NOT BE USED WITHOUT WRITTEN PERMISSION						