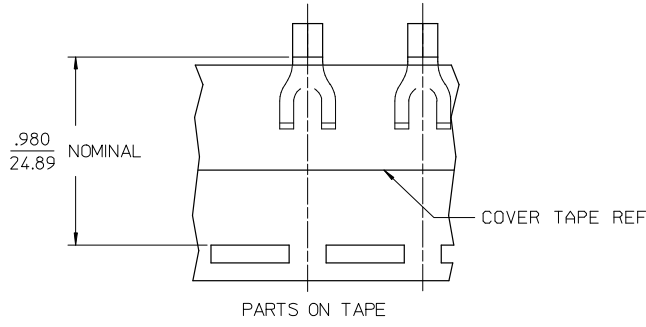
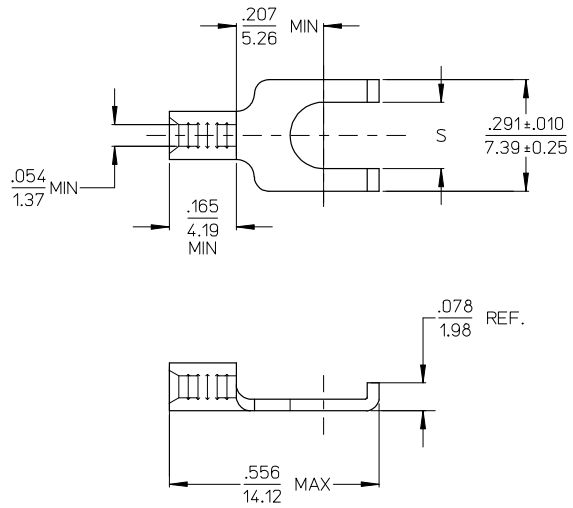


LOOSE PIECE		TAPE MOUNTED		STUD SIZE	S ±.005
MATERIAL NUMBER	ENGINEERING NUMBER	MATERIAL NUMBER	ENGINEERING NUMBER		
191180021	AA-115-06	191180022	AA-115-06T	6	.146/3.71
191180023	AA-115-08	191180024	AA-115-08T	8	.173/4.39
191180025	AA-115-10	191180099	AA-115-10T	10	.198/5.03



SALES DRAWING

- NOTES:
 1. MATERIAL: COPPER .031/0.78 THICK, REF.
 2. PLATING: ELECTRO-TIN
 3. PART IS RoHS COMPLIANT

ADD NOTE 3, REV. DIMS EC NO: ETC2008-0012 DRAWN BY: DRW:RFB CHKD: JMACNEIL APPR: JMACNEIL DATE: 2007/11/26 DATE: 2007/11/26 DATE: 2007/12/05	QUALITY SYMBOLS	GENERAL TOLERANCES (UNLESS SPECIFIED) mm INCH 4 PLACES ± --- ± --- 3 PLACES ± --- ± .005 2 PLACES ± 0.13 ± .01 1 PLACE ± 0.25 ± --- ANGULAR ± ---°	DIMENSION STYLE	SCALE	DESIGN UNITS	THIRD ANGLE PROJECTION	
	▽=0		IN/MM	4:1	INCH	☉	
	▽=0		DRAWN BY	DATE	TITLE	FLANGED SPADE TONGUE TERMINAL KRIMPTITE 100-SERIES	
	▽=0		DATE	DATE	DATE	MOLEX INCORPORATED	
REV A	DRAFT WHERE APPLICABLE MUST REMAIN WITHIN DIMENSIONS	MATERIAL NO.	SEE CHART	DOCUMENT NO.	SD-19118-003	SHEET NO. 1 OF 1	
		THIS DRAWING CONTAINS INFORMATION THAT IS PROPRIETARY TO MOLEX INCORPORATED AND SHOULD NOT BE USED WITHOUT WRITTEN PERMISSION					