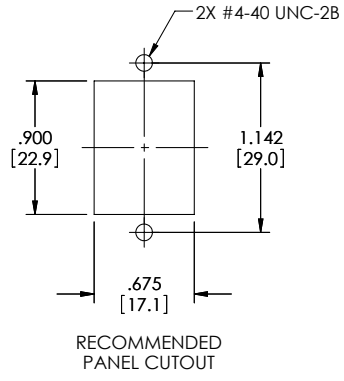
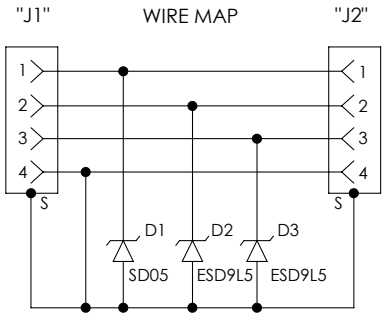
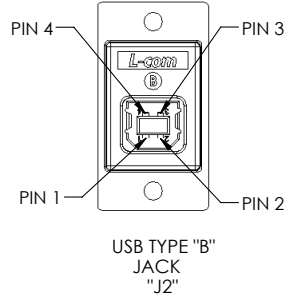
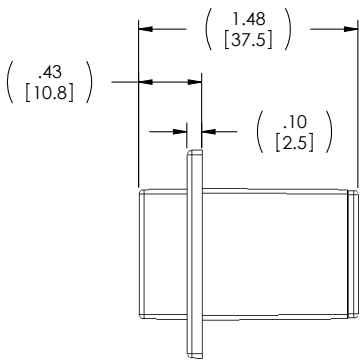
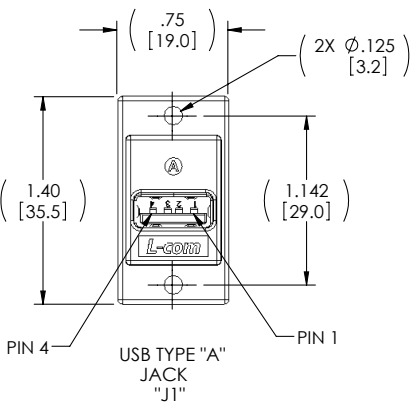


THE INFORMATION CONTAINED IN THIS DRAWING IS THE SOLE PROPERTY OF L-COM, INC. ANY REPRODUCTION IN PART OR WHOLE WITHOUT THE WRITTEN PERMISSION OF L-COM, INC. IS PROHIBITED.

REVISIONS			
REV	DESCRIPTION	DATE	APPROVED
A	CN RELEASE	2/26/10	D.GRIFFIN



**NOTES:**  
**MATERIAL:**  
 COUPLER HOUSING: ABS, UL94V-0.  
 CONNECTOR INSULATORS: WHITE PBT WITH GLASS FIBER.  
 TYPE "A" CONNECTOR CONTACTS: PHOSPHOR BRONZE.  
 TYPE "A" CONNECTOR SHELL: BRASS.  
 TYPE "B" CONNECTOR CONTACTS: PHOSPHOR BRONZE.  
 TYPE "B" CONNECTOR SHELL FRONT: BRASS.  
 TYPE "B" CONNECTOR SHELL BACK: STEEL.  
 PCB: EPOXY GLASS FP-4, 94V-0 FLAMMABILITY RATING.

**FINISH:**  
 COUPLER HOUSING: CHROME.  
 CONNECTOR CONTACTS: GOLD, 30µ INCHES.  
 CONNECTOR SHELLS: NICKEL.

**ELECTRICAL:**  
 DATA LINE CLAMPING VOLTAGE: 5.4V.  
 POWER LINE CLAMPING VOLTAGE: 6.5V.

**ENVIRONMENTAL:**  
 OPERATING TEMPERATURE: -40° C to +50° C.

**MISCELLANEOUS:**  
 COUPLER SHALL BE TESTED FOR CONTINUITY.  
 COUPLER SHALL BE INDIVIDUALLY PACKAGED IN ACCORDANCE WITH L-COM PACKAGING SPEC PS-0031.

**RoHS Compliant** ✓

UNLESS OTHERWISE SPECIFIED, DIMENSIONS ARE IN INCHES [mm]	APPROVALS	DATE	<b>L-com</b> Global Connectivity 45 BEECHWOOD DRIVE NORTH ANDOVER, MA 01845
OVERALL CABLE LENGTH TOLERANCE: ≤12 [305] = +1 [25] / -0 >12 [305] ≤60 [1524] = +2 [51] / -0 >60 [1524] ≤120 [3048] = +4 [102] / -0 >120 [3048] ≤300 [7620] = +6 [152] / -0 >300 [7620] = +5% / -0%	DRAWN BY D. CASTRO	7/24/09	
ALL OTHER DIMENSIONAL TOLERANCES: X = ±.2 XX = ±.02 XXX = ±.005	CHECKED BY D. PARHAM	7/24/09	CATEGORY <b>USB</b>
PROJECTION	APPROVED BY S. SMITH	7/24/09	
	CONFIGURATION DETAILS OF UNDIMENSIONED FEATURES MAY VARY	COLOR VARIATIONS MAY OCCUR	SIZE <b>A</b> FSCM NO. <b>43321</b> DWG. NO. <b>AL-ECF504-AB</b>
			SCALE: NONE CAD FILE: AL-ECF504-AB.SLDDRW SHEET 1 OF 1