

ALL RIGHTS RESERVED. NO PORTION OF THIS PUBLICATION, WHETHER IN WHOLE OR IN PART CAN BE REPRODUCED WITHOUT THE EXPRESS WRITTEN CONSENT OF SPC TECHNOLOGY.

**NOTES:**

Insulated BNC male with 4mm safety jacks  
 Applications: Adapts BNC female connector to 4mm sheathed jacks to accept sheath banana plugs.  
 Upgrades BNC to IEC specifications.

**SPECIFICATIONS**

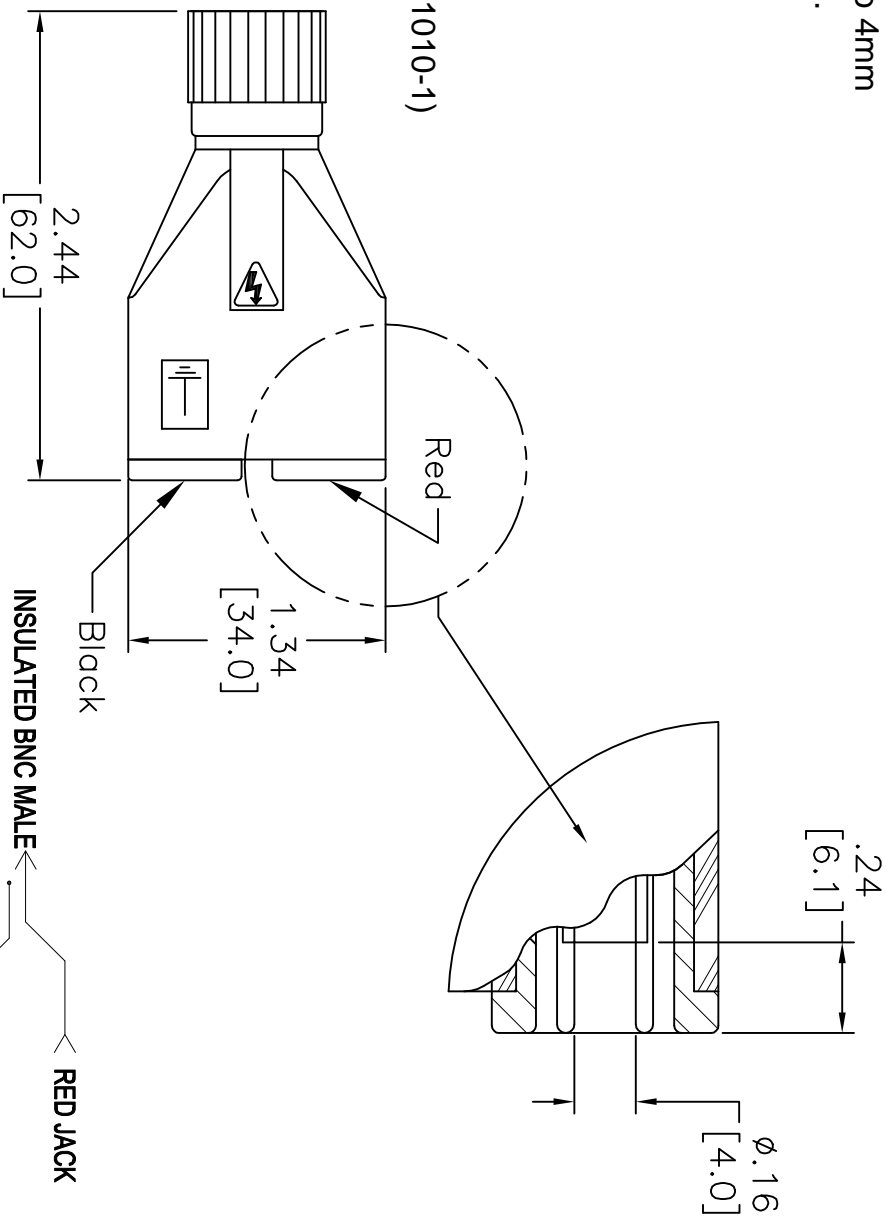
Insulator: Polyamide (Nylon), Grey  
 Jack Contacts: Brass, Nickel Plated  
 BNC(m): Brass, Center Contact, Gold Plated  
 BNC impedance: 50 ohm

**RATING**

Voltage: 500V Cat. I or 150V Cat. III P2 (IEC61010-1)  
 Current: 3A Max.  
 Resistance: <0.8 milliohms  
 Temperature: -20°C ~ 80°C



REVISONS		DOC. NO.	SPC-F005	* Effective:	12/21/98	* DCP No:	880	
DCP #	REV	DESCRIPTION	DRAWN	DATE	CHECKD	DATE	APPR/D	DATE
430	A	RELEASED	JWM	11/13/00	JC	11/21/00	DJC	11/21/00



DISCLAIMER:  
 ALL STATEMENTS AND TECHNICAL INFORMATION CONTAINED HEREIN ARE BASED UPON INFORMATION AND/OR TESTS WE BELIEVE TO BE ACCURATE AND RELIABLE SINCE CONDITIONS OF USE ARE BEYOND OUR CONTROL. THE USER SHALL DETERMINE THE SUITABILITY OF THE PRODUCT FOR THE INTENDED USE AND ASSUME ALL RISK AND LIABILITY WHATSOEVER IN CONNECTION THEREWITH.

UNLESS OTHERWISE SPECIFIED, DIMENSIONS ARE FOR REFERENCE PURPOSES ONLY.

SPC-F005.DWG

DRAWN BY:	Jeff McVicker	DATE:	11/12/00	DRAWING TITLE:	Insulated BNC(m) 4/mm Sheathed Safety Jacks		
CHECKED BY:	JOHN COLE	DATE:	11/21/00	SIZE	DWG. NO.	76-083	ELECTRONIC FILE
APPROVED BY:	Daniel Carey	DATE:	11/21/00	SCALE:	NTS	U.O.M.: INCHES [mm]	16F7742.dwg
				REV	SHEET: 1 OF 1		A

