

ALL RIGHTS RESERVED. NO PORTION OF THIS PUBLICATION, WHETHER IN WHOLE OR IN PART CAN BE REPRODUCED WITHOUT THE EXPRESS WRITTEN CONSENT OF SPC TECHNOLOGY.

REVISIONS		DOC. NO.	SPC-F005	* Effective:	12/21/98	* DCP No:	680	
DCP #	REV	DESCRIPTION	DRAWN	DATE	CHECKD	DATE	APPRVD	DATE
430	A	RELEASED	JWM	11/13/00	JC	11/21/00	DJC	11/21/00

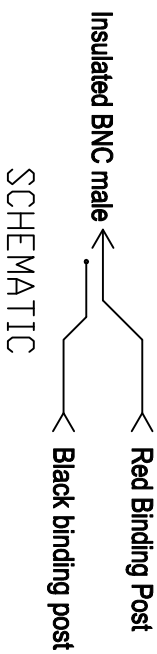
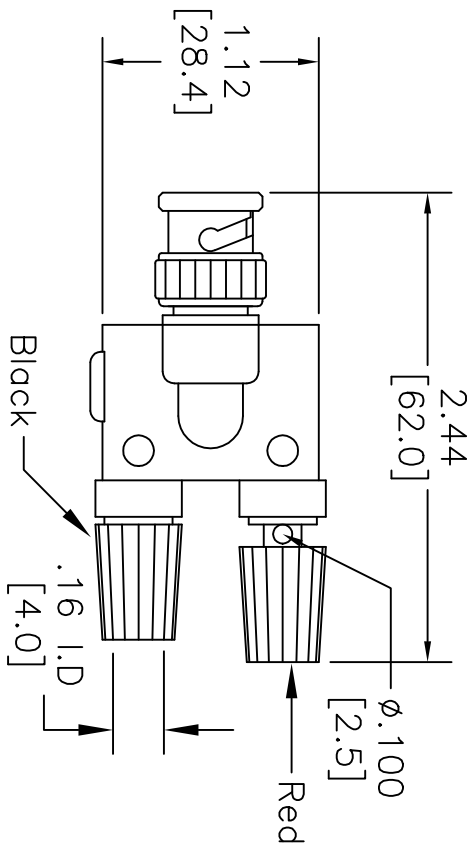
NOTES:
 BNC male with 4mm Binding posts
 Applications: Adapts BNC female connector to 4mm binding posts to accept spade lugs, wires and banana plugs

SPECIFICATIONS

Insulator: Polyamide (Nylon), Black
 Binding Posts Contacts: Brass, Nickel Plated
 BNC (m): Brass, Center Contact, Gold Plated
 BNC impedance: 50 ohm

Rating:

Voltage: 500V
 Current: 3A Max.
 Resistance: <0.8 milliohms
 Temperature: -20°C ~ 80°C



DISCLAIMER:
 ALL STATEMENTS AND TECHNICAL INFORMATION CONTAINED HEREIN ARE BASED UPON INFORMATION AND/OR TESTS WE BELIEVE TO BE ACCURATE AND RELIABLE SINCE CONDITIONS OF USE ARE BEYOND OUR CONTROL. WE ASSUME NO LIABILITY WHATSOEVER IN CONNECTION THEREWITH.
 REPRODUCED USE AND ASSUME ALL RISK AND LIABILITY WHATSOEVER IN CONNECTION THEREWITH.

Tolerances unless otherwise specified:
 .XX ±.02

DRAWN BY:	DATE:
Jeff McVicker	11/12/00
CHECKED BY:	DATE:
JOHN COLE	11/21/00
APPROVED BY:	DATE:
Daniel Carey	11/21/00

TENMA

DRAWING TITLE:		BNC(m) w/4mm Binding Posts	
SIZE	DWG. NO.	ELECTRONIC FILE	REV
A	76-005	16F7677.dwg	A
SCALE:	NTS	U.O.M.: INCHES [mm]	SHEET: 1 OF 1