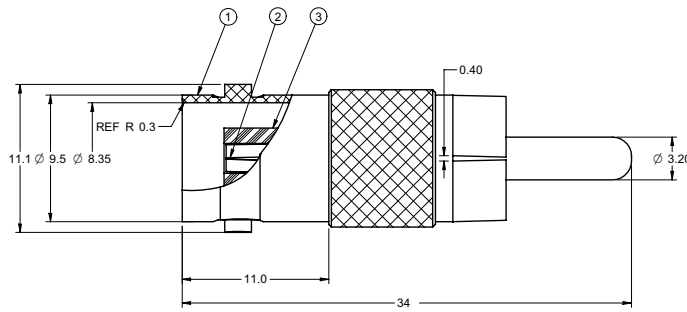
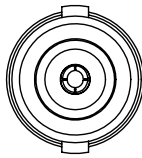


	5		4		3		2		1
PART NUMBER	ITEM ① BODY	ITEM ② CONTACT	ITEM ③ INSULATOR						
27-8110	ZINC NICKEL PLATED	BERYLLIUM Ni/Au PLATED	DELTRIN						

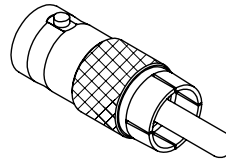
<b>受控 CONTROLLED DOCUMENT</b>					
编号 P/N	27-8110	版本 Rev	01	日期 Rel'd Date	May8,09

DRAWING NO. 27-8110
REVISIONS
01 OFFICIAL RELEASE
04-13-09



NOTES:

- 1. BNC END TECHNICAL DETAIL: REFER TO EMERSON DOCUMENT P/N 27-0000



THIS DRAWING TO BE INTERPRETED  
PER ANSI Y 14.5M - 1994

**COMPANY CONFIDENTIAL**

TOLERANCE UNLESS OTHERWISE SPECIFIED	DRAWN BY GARY.ZHG	DATE 04-13-09
DECIMALS	CHECKED BY BETTY.YU	DATE 04-13-09
X ± 0.5	APPROVED BY THOMAS	DATE 04-13-09
.XX ± 0.2		
.XXX ± 0.1		
ANGLES ± 0.5°	U/M	mm

<b>EMERSON</b> Network Power	<b>Connectivity Solutions</b>
TITLE ADAPTER,BNC JACK TO RCA JACK	
SHEET 1 OF 1	DRAWING NO. 27-8110
	SIZE C

THIS DRAWING WAS PRODUCED BY COMPUTER,  
DO NOT SCALE DRAWING OR UPDATE MANUALLY.