

SOURIAU's RJ45 offer



Description

Intended for high speed Ethernet connection, **UTO & UTS connectors** with RJ45 cordset can be assembled in **less than 1 minute**. They use **any standard RJ45 cable** and do not need special tools for assembly or disassembly.

Applications

UTO & UTS RJ45 connectors can be used in harsh environments, including applications such as:

- Data acquisition & download
- Networks interconnections
- Robotics
- Factory automation

Benefits

A universal solution

- Use of any pre-wired RJ45 cordset

Easy to use & to assemble/disassemble Perfect for field installations

- NO tool for assembly or disassembly
- NO cabling procedure required

Vibration-proof

- No fragile parts

A cat5e Ethernet solution

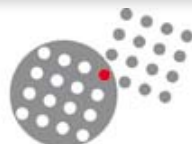
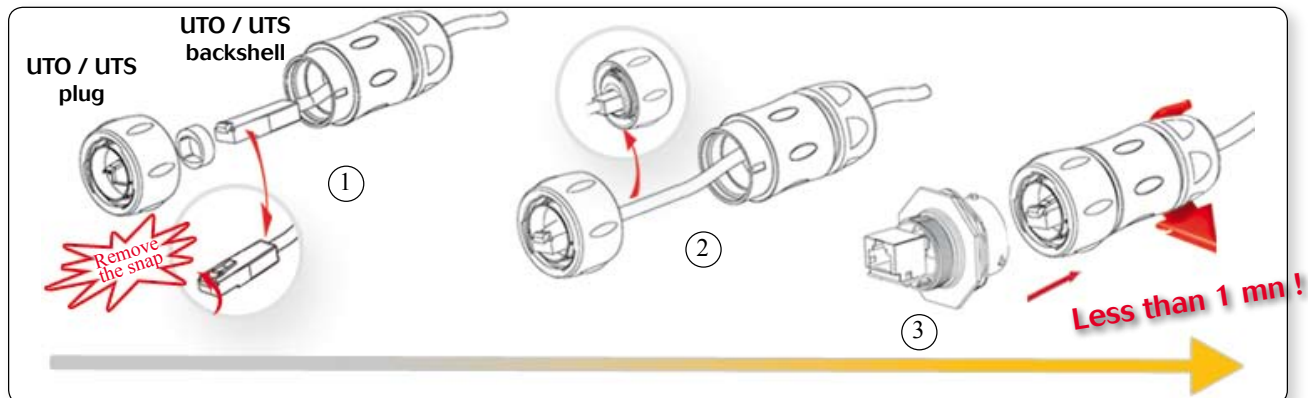
- Cat5e per TIA/EIA & class D per ISO/IEC 11801
- 10 BaseT, 100 Base TX, 1000 BaseT networks

RoHS compliant

- Respect for environment

SOURIAU's Offer

- Available in shell size 18
- Plug with male RJ45 cordset & receptacle with female RJ45 cordset
- Receptacles available: Square flange (metallic) & Jam nut (metallic or plastic)



SOURIAU
Connection Technology

UTO RJ45



Technical characteristics

Mechanical

- Durability 500 matings & unmatings

Electrical

- Connection category RJ45
- Cat5e per TIA/EIA 568C and class D per ISO/IEC 11801

Environmental

- Operating temperature -40°C to + 105°C
- Sealing (mated) IP68/69K*
- Salt spray resistance
 - 48 hours - standard version
 - 96 hours - black anodized version
 - 200/500 hours upon request

Material

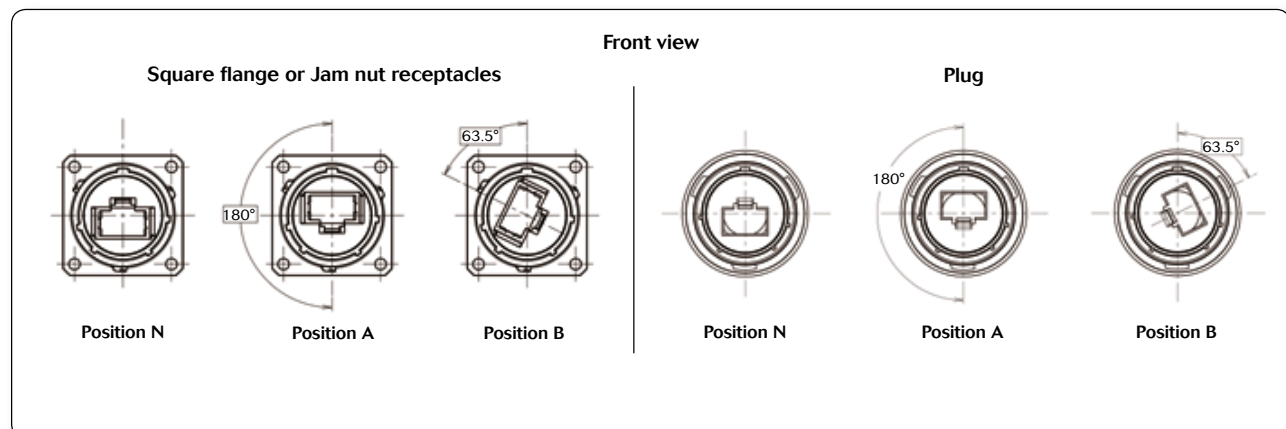
- Connectors Zinc alloy
 - Backshell & cable glands Brass
 - Coupling ring Aluminium alloy
 - Coupling spring Spring stainless steel
 - Seal gasket Silicone
 - Insert Thermoplast UL94-V0
 - Plating Nickel (48 hr salt spray)
Black anodized (96 hr salt spray)
- RoHS compliant & conform to the Chinese standard SJ/T 1166-2006 (Chinese RoHS equivalent)



Ordering information

Type	UTO	0	18	RJF	N	-	-
	UTO	6	18	RJ	N	P	-
Body variation	0 Square flange receptacle 6 Cable plug 7 Jam nut receptacle						
Shell size	18						
Insert	RJF: Feed Through (only receptacle) / RJ: Free insert to accept any RJ45 (only plug)						
Polarisation	N : Normal / A, B: Different orientations						
Cable gland	P: Plastic (only for plug)						
Plating	- : Nickel plating (= standard 48 hr salt spray) O1 (only jam nut): Nickel plating but black anodized jam nut (96 hr salt spray) O2 (only plug): Nickel plating but black anodized coupling ring (96 hr salt spray)						

Insert rotation

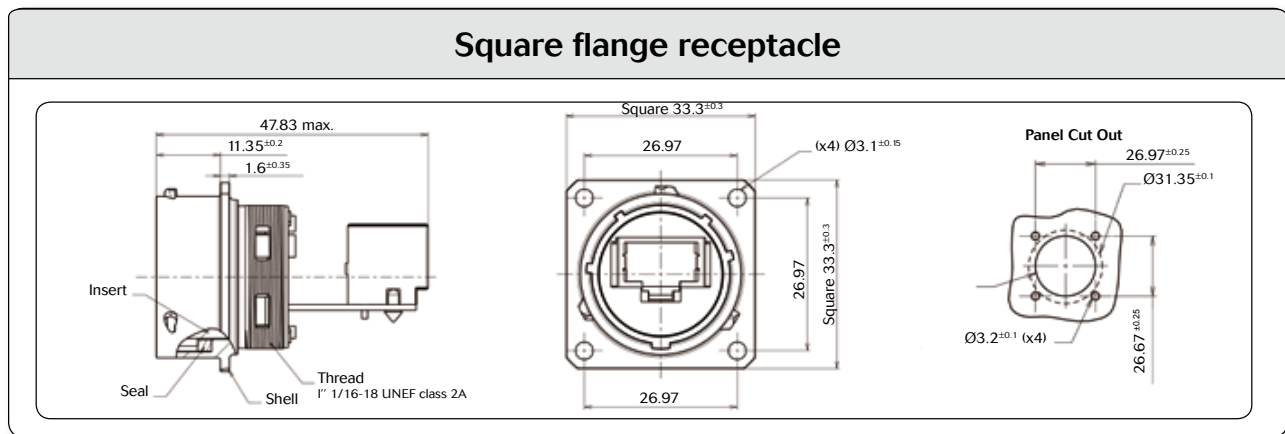
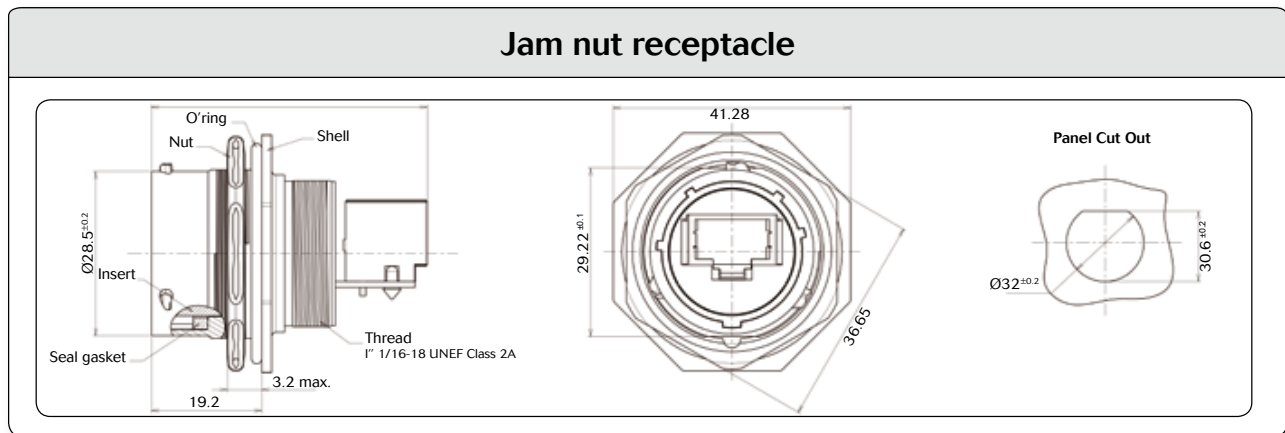
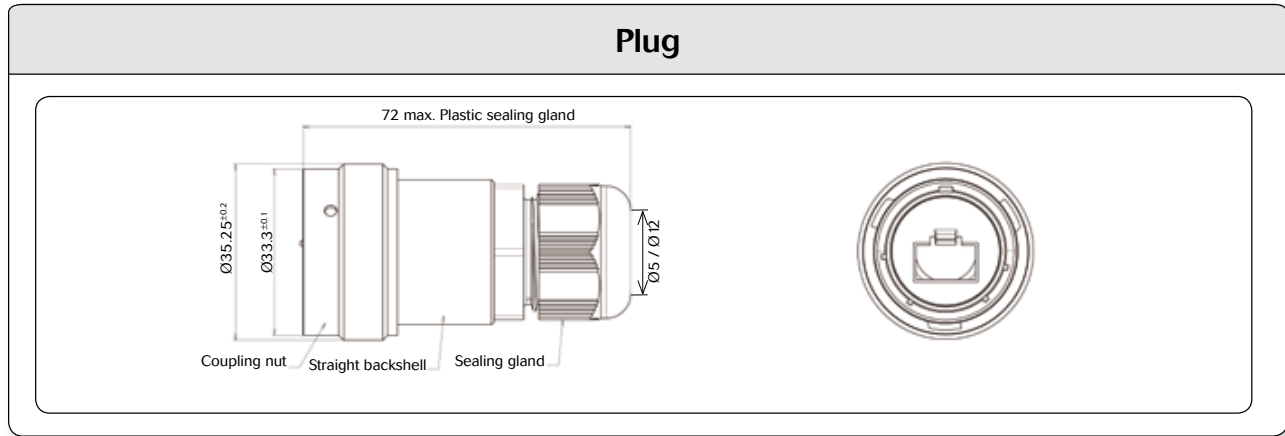


Note : all dimensions are in mm / * subject to a cylinder-shaped and non-convertible cordset

UTO RJ45



Range presentation



Note : all dimensions are in mm

UTS RJ45



Technical characteristics

Mechanical

- Durability 250 matings & unmatings

Electrical

- Connection category RJ45
- Cat5e per TIA/EIA 568C and class D per ISO/IEC 11801

Environmental

- Operating temperature -40°C to + 105°C
- Flammability rating UL94V0
- Sealing (mated) IP68/69K*
- Salt spray resistance 500 hours

Material

- Connectors + Backshells Thermoplastic
- Nut Metal
- RoHS compliant & conform to the Chinese standard SJ/T 1166-2006 (Chinese RoHS equivalent)

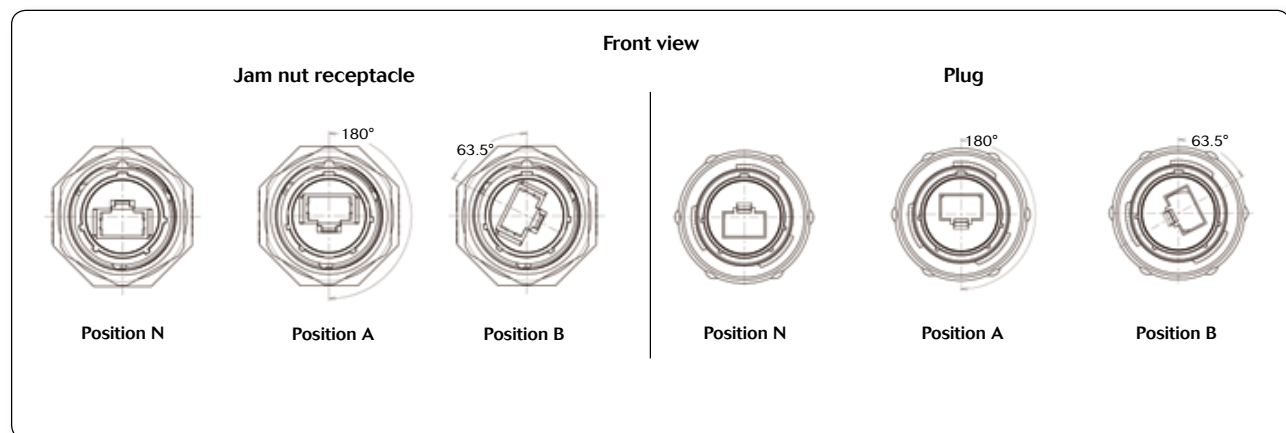


Ordering information

Type	UTS	7	-	18	RJF	N	-
	UTS	6	JC	18	RJ	N	25
Body variation	6 Cable plug 7 Jam nut receptacle						
Backshell*	JC Easy handling plastic backshell (only for plug)						
Shell size	18						
Insert	RJF: Feed Through (only receptacle) / RJ: Free insert to accept any RJ45 (only plug)						
Polarisation	N : Normal / A, B: Different orientations						
Mandatory suffix	25 (only for plug)						

* Short backshell on request

Insert rotation

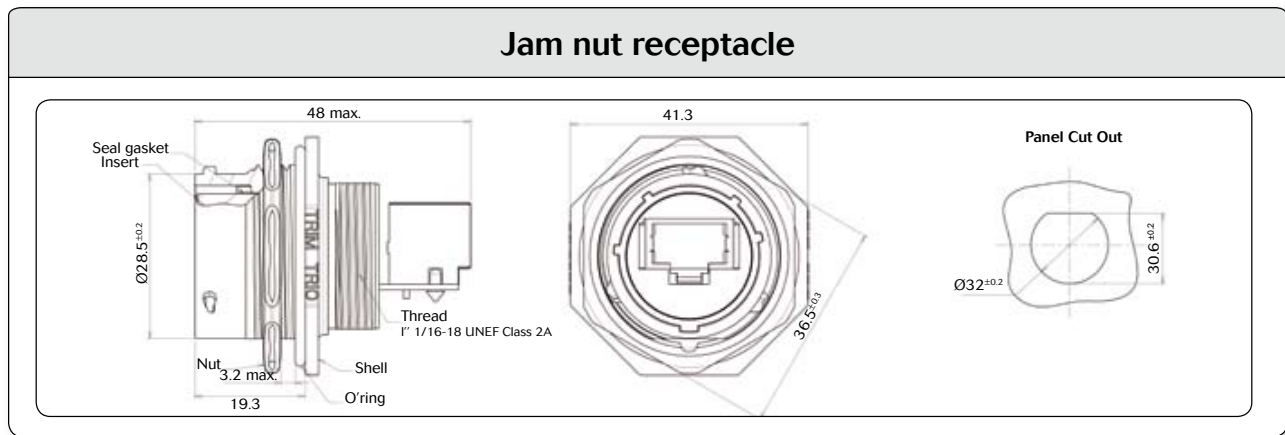
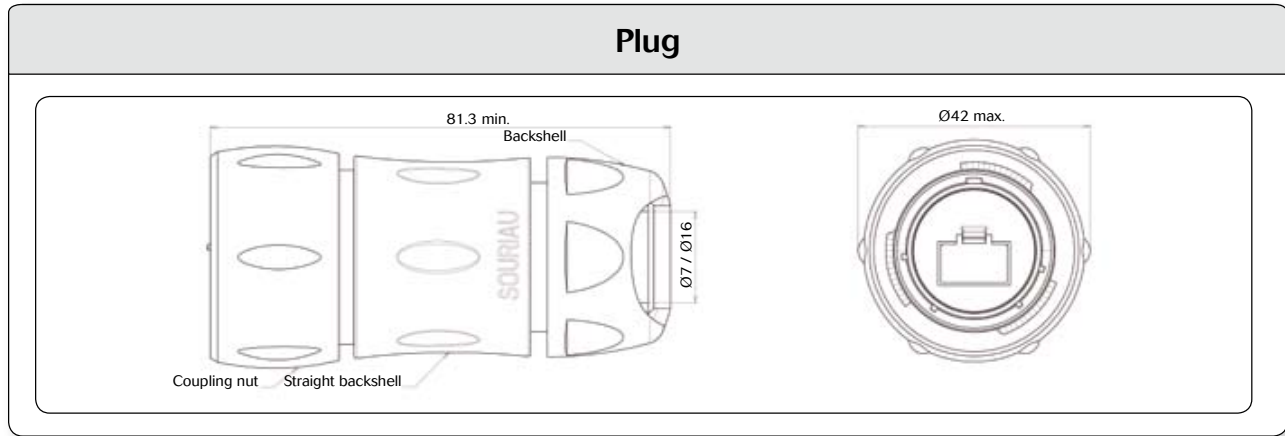


Note : all dimensions are in mm / * subject to a cylinder-shaped and non-convertible cordet

UTS RJ45



Range presentation



SOURIAU INDUSTRIAL WEBTOOLS
 IN EXCLUSIVITY FOR TRIM TRIO® PRODUCT RANGE
www.souriau-industrial.com
NEW WEBSITE & SMART CONFIGURATION TOOLS

In less than 5 minutes:
 - compose a part number
 - get a 2D drawing

For further information, visit our website www.souriau-industrial.com
 or contact us at contactindustry@souriau.com

Note : all dimensions are in mm